

# Levenhuk D80L LCD Digital Microscope

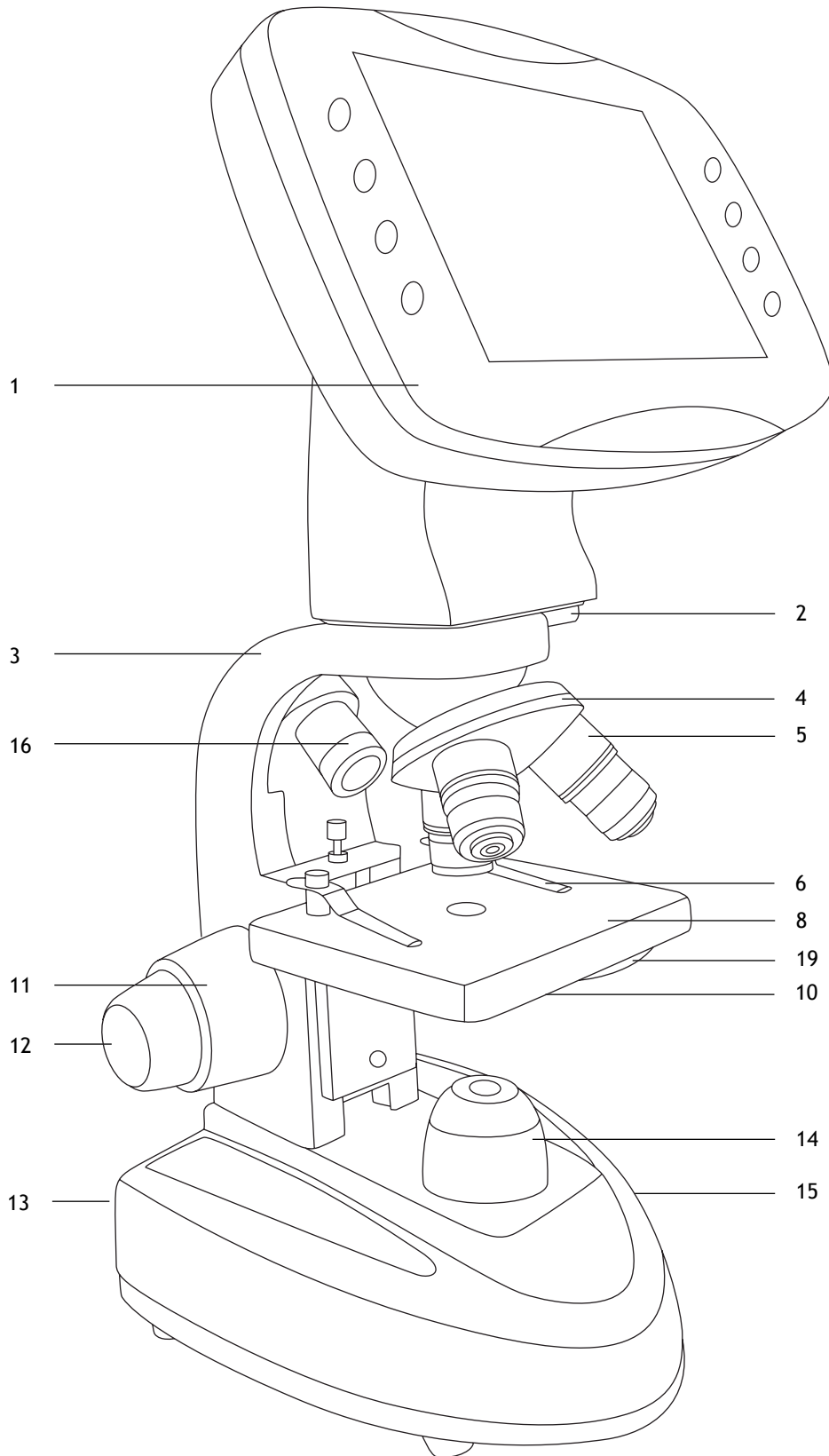
## Levenhuk D90L LCD Digital Microscope



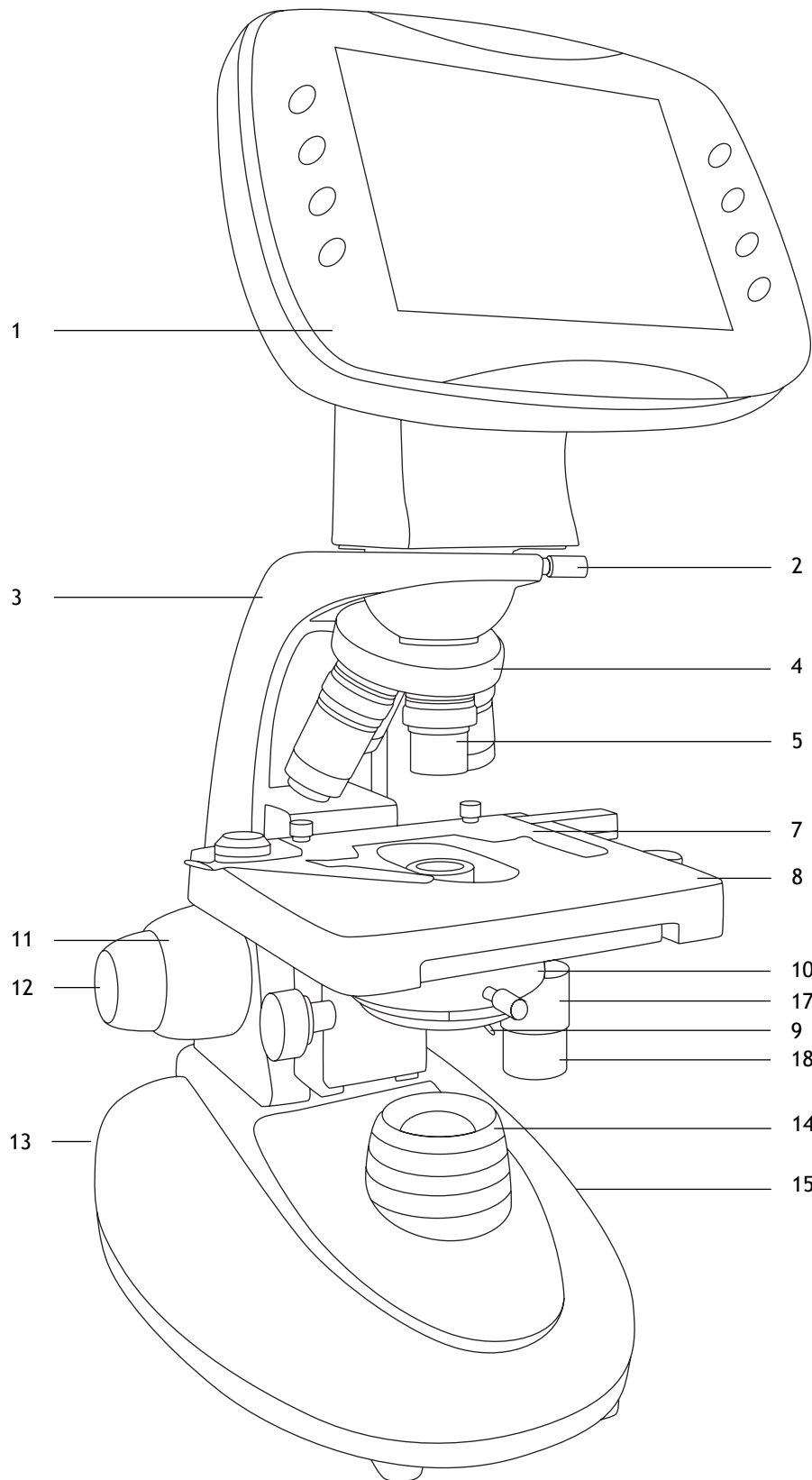
- EN** User Manual
- BG** Ръководство за потребителя
- CZ** Návod k použití
- DE** Bedienungsanleitung
- ES** Guía del usuario
- HU** Használati útmutató
- IT** Guida all'utilizzo
- PL** Instrukcja obsługi
- PT** Manual do usuário
- RU** Инструкция по эксплуатации

*Наслади се отблизо  
Radost zaostřit  
Zoom ran und hab Fun!  
Amplíe y disfrute  
Kellemes nagyítást!  
Ingrandisci il divertimento  
Radość przybliżania  
Dê um zoom na sua emoção  
Приближает с удовольствием*

**levenhuk**  
Zoom&Joy



1a. Levenhuk D80L LCD



1b. Levenhuk D90L LCD

**EN**

1. LCD screen
2. LCD screen locking screw
3. Arm
4. Revolving nosepiece
5. Objective
6. Specimen holders (D80L LCD only)
7. Mechanical scale (D90L LCD only)
8. Stage
9. Aperture diaphragm adjustment rod (D90L LCD only)
10. Condenser
11. Coarse focusing knob
12. Fine focusing knob
13. Illumination on/off button (not shown)
14. Collector
15. Brightness adjustment knob (not shown)
16. Upper illumination (D80L LCD only)
17. Stage moving knob (right/left) (D90L LCD only)
18. Stage moving knob (back/forth) (D90L LCD only)
19. Diaphragm disk (D80L LCD only)

**BG**

1. Течнокристален екран
2. Заклучващ винт на течнокристален екран
3. Рамо
4. Револверна глава
5. Обектив
6. Държачи за образец (само за D80L LCD)
7. Механична скала (само за D90L LCD)
8. Предметна маса
9. Лостче за регулиране на апертурата на диафрагмата (само за D90L LCD)
10. Кондензатор с държач за филтри
11. Бутон за грубо фокусиране
12. Бутон за фино фокусиране
13. Бутон за включване/изключване на осветлението (не е показан)
14. Колектор
15. Бутон за регулиране на яркостта (не е показан)
16. Пръстен за регулиране на диоптъра (само за D80L LCD)
17. Бутон за преместване на предметната маса (надясно/наляво) (само за D90L LCD)
18. Бутон за преместване на предметната маса (назад/напред) (само за D90L LCD)
19. Диафрагмен диск (само за D80L LCD)

**CZ**

1. LCD obrazovka
2. Pojistný šroub LCD obrazovka
3. Rameno
4. Revolverový nosič objektivů
5. Objektiv
6. Držáky preparátů (pouze D80L LCD)
7. Mechanická stupnice (pouze D90L LCD)
8. Pracovní stolek
9. Páčka pro nastavení aperturní clony (pouze D90L LCD)
10. Kondenzor s držákem filtru
11. Makrošroub pro hrubé zaostření
12. Mikrošroub pro jemné zaostření
13. Tlačítko zapnutí/vypnutí osvětlení (není zobrazeno)
14. Kolektor
15. Knoflík pro nastavení jasu (není zobrazeno)
16. Kroužek dioptrické korekce (pouze D80L LCD)
17. Ovládací knoflík posuvu pracovního stolku (vpravo/vlevo) (pouze D90L LCD)
18. Ovládací knoflík posuvu pracovního stolku (dozadu/dopředu) (pouze D90L LCD)
19. Diafragma disk (pouze D80L LCD)

**DE**

1. LCD-Bildschirm
2. LCD-Bildschirmfixierschraube
3. Arm
4. Revolver
5. Objektiv
6. Probenhalter (nur D80L LCD)
7. Physische Skala (nur D90L LCD)
8. Objektisch
9. Irisblende-Einstellstab (nur D90L LCD)
10. Kondensator mit Filterhalter
11. Grobtrieb
12. Feintrieb
13. Beleuchtung-Ein-/Ausschalter (nicht abgebildet)
14. Sammellinse
15. Helligkeitsregler (nicht abgebildet)
16. Dioptrienring (nur D80L LCD)
17. Tischverstellungsknopf (links/rechts) (nur D90L LCD)
18. Tischverstellungsknopf (vorwärts/rückwärts) (nur D90L LCD)
19. Blendenscheibe (nur D80L LCD)

**ES**

1. Pantalla LCD
2. Tornillo de bloqueo de la pantalla LCD
3. Brazo
4. Revólver giratorio
5. Objetivo
6. Porta muestras (solo D80L LCD)
7. Micrómetro mecánico (solo D90L LCD)
8. Platina
9. Varilla de ajuste del diafragma de apertura (solo D90L LCD)
10. Condensador con soporte de filtro
11. Mando de enfoque aproximado
12. Mando de enfoque preciso
13. Botón de encendido/apagado de la iluminación (no se muestra)
14. Lente colectora
15. Mando de ajuste del brillo (no se muestra)
16. Anillo de ajuste de las dioptrías (solo D80L LCD)
17. Mando de movimiento de la platina (derecha/izquierda) (solo D90L LCD)
18. Mando de movimiento de la platina (atrás/adelante) (solo D90L LCD)
19. Disco de diafragma (solo D80L LCD)

**HU**

1. LCD-kijelző
2. LCD képernyő rögzítő-csavar
3. Kar
4. Revolverfej
5. Objektív
6. Mintatartók (csak D80L LCD)
7. Mechanikus skála (csak D90L LCD)
8. Tárgyasztal
9. Rekesznyílás állítórúd (csak D90L LCD)
10. Kondenzor szűrőtartóval
11. Durva-fókuszállító gomb
12. Finom-fókuszállító gomb
13. Világítás be-/kikapcsoló gomb (nem látható)
14. Kolektor
15. Fényerősség állító gomb (nem látható)
16. Dioptria-állító gyűrű (csak D80L LCD)
17. Tárgyasztal mozgató gomb (jobb/bal) (csak D90L LCD)
18. Tárgyasztal mozgató gomb (előre/hátra) (csak D90L LCD)
19. Diafragma lemez (csak D80L LCD)

**IT**

1. Schermo LCD
2. Vite di fissaggio dello schermo LCD
3. Stativo
4. Revolver portaobiettivi
5. Obiettivo
6. Portacampione (solo D80L LCD)
7. Traslatore meccanico (solo D90L LCD)
8. Tavolino
9. Leva di regolazione dell'apertura del diaframma (solo D90L LCD)
10. Condensatore con portafiltro
11. Manopola di messa a fuoco grossolana
12. Manopola di messa a fuoco fine
13. Interruttore per l'illuminazione (non visibile)
14. Collettore
15. Manopola di regolazione della luminosità (non visibile)
16. Ghiera di regolazione diottrica (solo D80L LCD)
17. Manopola per il movimento del tavolino (destra/sinistra) (solo D90L LCD)
18. Manopola per il movimento del tavolino (avanti/indietro) (solo D90L LCD)
19. Disco a diaframma (solo D80L LCD)

**PL**

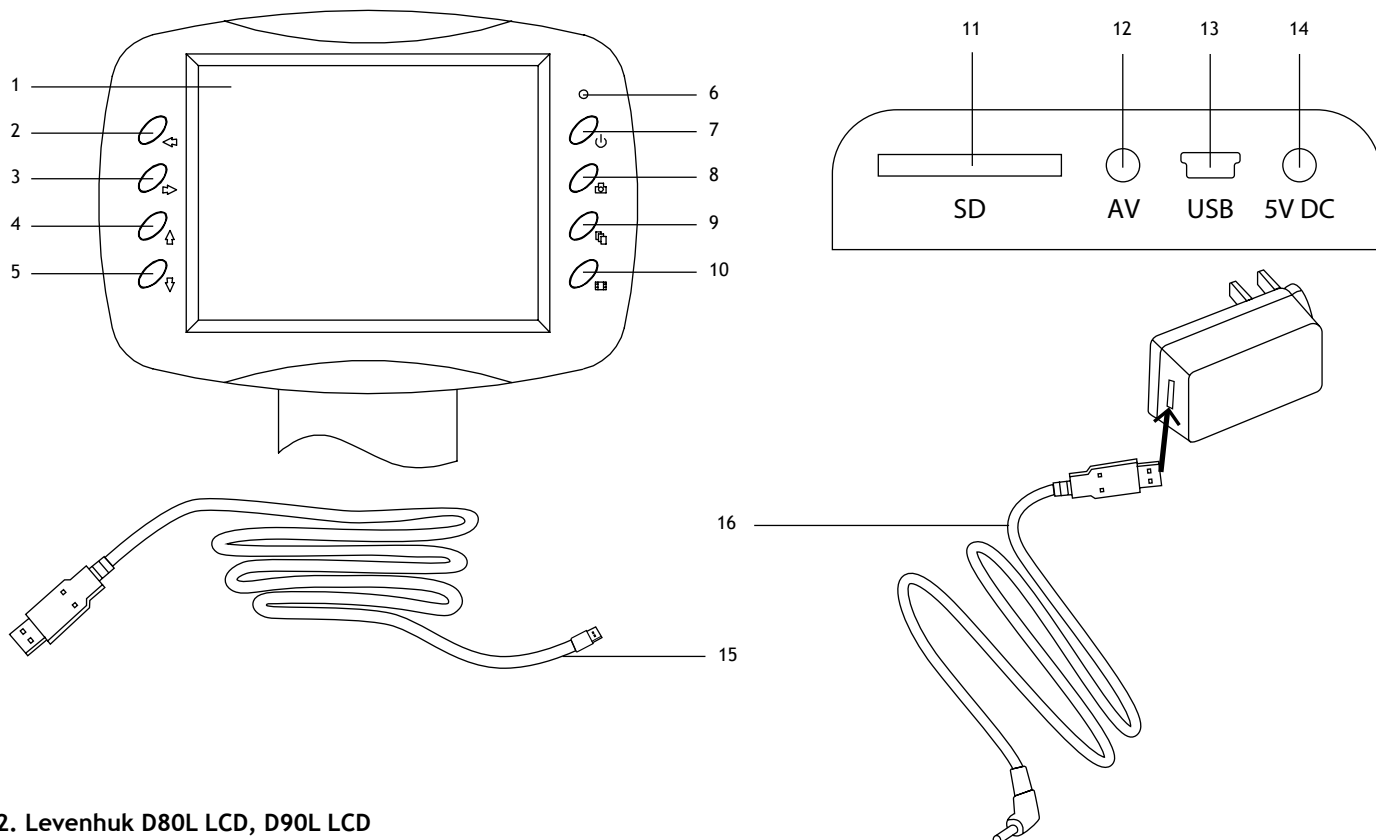
1. Ekran LCD
2. Śruba blokująca ekranu LCD
3. Ramię
4. Miska rewolwerowa
5. Obiektyw
6. Zaczepy do preparatów (tylko D80L LCD)
7. Skala mechaniczna (tylko D90L LCD)
8. Stolik
9. Pręt regulacji przysłony aperturowej (tylko D90L LCD)
10. Kondensator z uchwytem filtra
11. Pokrętło zgrubej regulacji ostrości
12. Pokrętło precyzyjnej regulacji ostrości
13. Przycisk wł./wył. oświetlenia (niepokazany)
14. Kolektor
15. Pokrętło regulacji jasności (niepokazany)
16. Pierścień regulacji dioptrii (tylko D80L LCD)
17. Pokrętło przesuwania stolika (w prawo/w lewo) (tylko D90L LCD)
18. Pokrętło przesuwania stolika (do tyłu/do przodu) (tylko D90L LCD)
19. Diafragma dysk (tylko D80L LCD)

**PT**

1. Ecrã LCD
2. Parafuso de bloqueio do ecrã LCD
3. Braço
4. Revólver giratório
5. Objetiva
6. Suportes de espécimes (apenas D80L LCD)
7. Balança mecânica (apenas D90L LCD)
8. Platina
9. Haste de ajuste do diafragma de abertura (apenas D90L LCD)
10. Condensador com suporte do filtro
11. Botão de focagem grosseira
12. Botão de focagem fina
13. Botão de ligar/desligar a iluminação (não apresentado)
14. Coletor
15. Botão de ajuste do brilho (não apresentado)
16. Anel de ajuste de dioptria (apenas D80L LCD)
17. Botão de deslocação da lâmina (para a direita/para a esquerda) (apenas D90L LCD)
18. Botão de deslocação da lâmina (para a frente/para trás) (apenas D90L LCD)
19. Disco de diafragma (apenas D80L LCD)

**RU**

1. ЖК-экран
2. Фиксатор ЖК-экрана
3. Опорная стойка
4. Револьверное устройство
5. Объектив
6. Держатели препарата (зажимы) (только D80L LCD)
7. Препаратоводитель (только D90L LCD)
8. Предметный столик
9. Регулятор апертурной диафрагмы (только D90L LCD)
10. Конденсор
11. Ручка грубой фокусировки
12. Ручка тонкой фокусировки
13. Кнопка вкл/выкл подсветки (не показана)
14. Коллектор
15. Регулятор яркости подсветки (не показан)
16. Верхняя подсветка (только D80L LCD)
17. Перемещение столика по горизонтали (вправо/влево) (только D90L LCD)
18. Перемещение столика по горизонтали (вперед/назад) (только D90L LCD)
19. Диск с диафрагмами (только D80L LCD)



## 2. Levenhuk D80L LCD, D90L LCD

### EN

1. LCD screen
2. Left
3. Right
4. Up
5. Down
6. LED indicator
7. Power on/off
8. Capture
9. Setup
10. Video
11. SD slot
12. AV out
13. miniUSB: output to PC
14. DC: charge battery
15. USB cable
16. Power cable

### BG

1. Течнокристален екран
2. Наляво
3. Надясно
4. Нагоре
5. Надолу
6. Светодиоден индикатор
7. Вкл./изкл. на захранването
8. Заснемане
9. Настройка
10. Видеозапис
11. Слот за SD карта
12. Изход за AV
13. Мини USB: изход към компютър
14. DC: зареждане на батерията
15. USB кабел
16. Захранващ кабел

### CZ

1. LCD obrazovka
2. Doleva
3. Doprava
4. Nahoru
5. Dolů
6. Kontrolka
7. Vypínač napájení (zap/vyp)
8. Pořídít snímek
9. Nastavení
10. Video
11. Slot pro SD kartu
12. Výstup AV
13. MiniUSB: výstup do PC
14. DC: nabíjení baterií
15. Kabel USB
16. Napájecí kabel

### DE

1. LCD-Bildschirm
2. Links
3. Rechts
4. Aufwärts
5. Abwärts
6. LED-Indikator
7. Ein-/Ausschalter
8. Aufnahme
9. Einrichtung
10. Video
11. SD-Kartensteckplatz
12. AV-Ausgang
13. MiniUSB: PC-Anschluss
14. DC: Akku laden
15. USB-Kabel
16. Stromversorgungskabel

### ES

1. Pantalla LCD
2. Izquierda
3. Derecha
4. Arriba
5. Abajo
6. Indicador LED
7. Encendido/apagado
8. Captura
9. Configuración
10. Vídeo
11. Ranura SD
12. Salida AV
13. MiniUSB: salida a PC
14. DC: carga de la batería
15. Cable USB
16. Cable de energía

### HU

1. LCD-kijelző
2. Bal
3. Jobb
4. Fel
5. Le
6. LED visszajelző
7. Ki-/bekapcsoló gomb
8. Felvétel
9. Beállítások
10. Videó
11. SD-hely
12. AV kimenet
13. MiniUSB: kimenet számítógéphez
14. DC: akkumulátor töltés
15. USB-kábel
16. Tápkábel

**IT**

1. Schermo LCD
2. Sinistra
3. Destra
4. Su
5. Giù
6. Indicatore LED
7. Interruttore on/off
8. Cattura
9. Setup
10. Video
11. Slot SD
12. Uscita AV
13. MiniUSB: uscita PC
14. DC: ricarica batteria
15. Cavo USB
16. Cavo di alimentazione

**PL**

1. Wyświetlacz LCD
2. W lewo
3. W prawo
4. W górę
5. W dół
6. Wskaźnik LED
7. Wł./wył. zasilania
8. Rejestrowanie
9. Konfiguracja
10. Filmy
11. Gniazdo karty SD
12. Wyjście AV
13. Mini USB: wyjście do komputera
14. Prąd stały: ładowanie akumulatora
15. Przewód USB
16. Przewód zasilający

**PT**

1. Ecrã LCD
2. Esquerda
3. Direita
4. Para cima
5. Para baixo
6. Indicador de LED
7. Ligar/desligar
8. Capturar
9. Configurar
10. Vídeo
11. Ranhura SD
12. Saída AV
13. MiniUSB: saída para PC
14. DC: carregar pilhas
15. Cabo USB
16. Cabo de alimentação

**RU**

1. ЖК-экран
2. Кнопка «Влево»
3. Кнопка «Вправо»
4. Кнопка «Вверх»
5. Кнопка «Вниз»
6. Светодиодный индикатор
7. Кнопка вкл./выкл питания
8. Кнопка «Съемка»
9. Кнопка «Настройка»
10. Кнопка «Видео»
11. Разъем карты SD
12. Разъем AV
13. Разъем miniUSB
14. Разъем кабеля питания
15. USB-кабель
16. Кабель питания

## General Information

Read the user manual carefully before you start working with a microscope. Levenhuk D80L LCD and D90L LCD biological microscopes are safe for health, life and property of the consumer and the environment when properly used, and meets the requirements of international standards. These microscopes are designed for observing transparent objects in the transmitted light using the bright field method. The Levenhuk D80L LCD model is also suitable for conducting research in reflected light using the bright field method.

They perform well in clinical research and tests; teaching demonstrations; bacterioscopy and cytology in medical and health establishments, laboratories, universities; and may be used for scientific research in agriculture and microbiology.

## Microscope assembly

- Unpack the microscope carefully and place it on a flat surface.
- Remove the plastic bags and dustproof cover of the eyepiece head.
- Install the LCD screen and tighten the locking screw.
- Inspect all the items included in the kit and define their purpose.
- D90L LCD: Connect the power cord to the microscope and plug it in.
- D80L LCD: Open the battery compartment, position the batteries according to the polarity marking on the battery compartment, reinsert the battery compartment door and turn on the microscope. Connect the microscope to the mains using the power adapter.

## Use

Please refer to the fig. 1a (Levenhuk D80L LCD) and fig. 1b (Levenhuk D90L LCD).

- Turn on the power and the illumination will turn on. Set the brightness at approximately 70%. Place the specimen on the stage. Make sure the clips hold the specimen firmly in place.
- D80L LCD: Adjust the height of the stage by rotating the locking screw.
- D90L LCD: Iris diaphragm should be adjusted in accordance with numerical aperture of a lens. The best practice is to make the iris diaphragm slightly smaller than the aperture of the selected lens. Open or close the iris diaphragm using the adjustment screws. If the adjustment screw is turned to the right, the iris diaphragm is fully open. Note: the diaphragm is not intended for adjusting the brightness of the illumination. To adjust the brightness, use the brightness adjustment knob.
- D90L LCD: Slide the filter holder, place the filter in it and then return the holder to its initial position.
- D80L LCD: Rotate the diaphragm disk until the passing light ray is reduced to a comfortable brightness level. If the image is too dark, select a larger aperture to increase the light ray.
- To change the objective magnification, turn the revolving nosepiece until it clicks.
- Make sure that the lens does not touch the sample when adjusting the focus: rotate the coarse focus knob until the specimen is about 3.175mm (1/8") away from the lens.
- Turn the fine focusing knob to make the image clear. The fine focusing mechanism allows you to focus on the observed specimen while using high magnifications.
- D90L LCD: When you use an oil immersion objective, the space between the specimen and the lens should be filled with immersion oil. Raise the condenser to the upper position and put a drop of oil on the lens and on the cover glass of the specimen. Move the revolving nosepiece back and forth to get rid of air bubbles in the oil. Then, fix the objective lens in its working position. Make sure that oil fills the entire space between the objective lens and the specimen. After use, wipe the lens dry.
- To adjust the position of the mechanical scale (D90L LCD only), turn the coarse focusing knob in a clockwise direction if you want to fix the position of the mechanical scale, or in a counterclockwise direction if you want to loosen it.
- D90L LCD: To place the specimen in the field of view, move the stage horizontally back and forth or left and right using the stage moving knob.
- While looking at the monitor, use the focusing knobs to adjust the sharpness of the image.

## LCD screen

Levenhuk D80L LCD and D90L LCD comes with an LCD screen (fig. 2). Connect the power cable to the power connector on the LCD screen and connect it to the network. Insert the SD card (included) in the SD slot to view the image and save the resulting photos and videos. Then, turn on the LCD screen with the power on/off button by pressing and holding it for 3 seconds.

## Digital magnification

During observations, press the "UP" button to enlarge the image and the "DOWN" button to reduce the image.

## Photo

Press the "Capture" button on the control panel to take a photo.

## Video

1. Press the "Video" button to enter the video recording mode.
2. Press the "Capture" button to start recording a video.
3. Press the "Capture" button again to stop recording a video.



### **View photos and videos**

1. Insert the SD card into the SD slot.
2. Press the "Video" button twice to turn on the viewing mode.
3. Press the "Right" and "Left" buttons to view the pictures and videos. Press the "Capture" button to start playing the video.

### **Save photos and videos on a computer**

1. Insert the SD card into the SD slot.
2. Use the USB cable for connecting the microscope to the computer. Now, you can transfer the photos and videos to a computer.

### **View on a computer (Windows 7 and below only)**

1. Install the **SENSOR driver** software on the computer (included). The **CamApp** icon will appear on your desktop after the installation of the software is complete.
2. Use the "Power on/off" button to turn off the LCD screen.
3. Use the USB cable for connecting the LCD screen to the computer.
4. Press and hold the "Photo" button until **PC CAM** appears on the LCD screen. Then, the driver installation will start automatically.
5. When the installation is complete, click the **CamApp** icon on your computer's desktop to start viewing.

### **Connecting to a TV/monitor with an AV connector**

1. Use an AV cable (not included) for connecting the LCD screen to the TV/monitor.
2. Press the "Setup" button.
3. Select the TV OUT menu item.
4. Select TV mode (NTSC/PAL).
5. Now, you can start viewing on the screen.

### **Setup**

Press the "Setup" button to go to the settings menu of the LCD screen. Use the control buttons to select the required parameters. Press the "Setup" button again to save the selected parameters. Hold the "Power on/off" button for 3 seconds to turn the LCD screen off.

### **Fuse replacement (Levenhuk D90L LCD)**

Unplug the microscope from a power source. Open the fuse holder located on the back of the microscope body with a flat head screwdriver. Remove the old fuse and install a new one. Only use the appropriate types of fuses. Close the fuse holder.

## Specifications

Product ID	75433	75434
Model	Levenhuk D80L LCD	Levenhuk D90L LCD
Type	biological/optical, digital	
Research method	bright field	
Magnification	60x, 150x, 600x	60x, 150x, 600x, 1500x
Eyepiece head	5.6" color LCD screen	
Optics material	optical glass	
Objectives	achromatic: 4x, 10x, 40xs	achromatic: 4x, 10x, 40xs, 100xs (oil)
Revolving nosepiece	3 objectives	4 objectives
Stage moving range	–	70/30mm
Stage	90x90mm, with specimen holders	double layer mechanical, 110x126mm, with mechanical scale
Focus system	coaxial, coarse (15mm) and fine (0.002mm)	
Condenser	N.A. 0.65 with diaphragm disk (6 apertures)	Abbe N.A. 1.25 iris diaphragm and filter holder
Body	metal	
Illumination	upper and lower (0.2W LED) with brightness adjustment	lower (1W LED) with brightness adjustment
Collector	+	+
Filters	–	blue
Vial of immersion oil	–	+
Fuse	–	+
Power supply	3pcs AA batteries or 110–220V, via AC adapter	110–220V, via AC adapter
Digital camera	2Mpx	
Camera power supply	5V, 1A via AC adapter	

## LCD screen specifications

Max. resolution (still images)	1600x1200px
Megapixels	2
Sensor	1/3
Mounting location	microscopes' arm
Pixel size	2.8µm
Sensitivity	1.0V/lux.sec@550nm
Spectral range	400–950nm
Image format	*.jpg
Video format	*.avi
White balance	auto
Exposure control	auto
Output	SD slot AV out miniUSB: output to PC DC: charge battery
Camera power supply	5V, 1A via AC adapter
Operating system	Windows 7 and below

Levenhuk reserves the right to modify or discontinue any product without prior notice.



**Caution!** Please refer to the specifications table for the correct mains voltage and never attempt to plug a 110V device into 220V outlet and vice versa without using a converter. Remember that mains voltage in the U.S. and Canada is 110V and 220–240V in most European countries.

## Care and maintenance

- **Never, under any circumstances, look directly at the Sun, another bright source of light or at a laser through this device, as this may cause PERMANENT RETINAL DAMAGE and may lead to BLINDNESS.**
- Take necessary precautions when using the device with children or others who have not read or who do not fully understand these instructions.
- After unpacking your microscope and before using it for the first time check for integrity and durability of every component and connection.
- Do not try to disassemble the device on your own for any reason. For repairs and cleaning of any kind, please contact your local specialized service center.
- Protect the device from sudden impact and excessive mechanical force. Do not apply excessive pressure when adjusting focus. Do not overtighten the locking screws.
- Do not touch the optical surfaces with your fingers. To clean the device exterior, use only special cleaning wipes and special optics cleaning tools from Levenhuk. Do not use any corrosive or acetone-based fluids to clean the optics.
- Abrasive particles, such as sand, should not be wiped off lenses, but instead blown off or brushed away with a soft brush.
- Do not use the device for lengthy periods of time, or leave it unattended in direct sunlight. Keep the device away from water and high humidity.
- Be careful during your observations, always replace the dust cover after you are finished with observations to protect the device from dust and stains.
- If you are not using your microscope for extended periods of time, store the objective lenses and eyepieces separately from the microscope.
- Store the device in a dry, cool place away from hazardous acids and other chemicals, away from heaters, open fire and other sources of high temperatures.
- When using the microscope, try not to use it near flammable materials or substances (benzene, paper, cardboard, plastic, etc.), as the base may heat up during use, and might become a fire hazard.
- Always unplug the microscope from a power source before opening the base or changing the illumination lamp. Regardless of the lamp type (halogen or incandescent), give it some time to cool down before trying to change it, and always change it to a lamp of the same type.
- Always use the power supply with the proper voltage, i.e. indicated in the specifications of your new microscope. Plugging the instrument into a different power outlet may damage the electric circuitry of the microscope, burn out the lamp, or even cause a short circuit.
- **Seek medical advice immediately if a small part or a battery is swallowed.**

## Battery safety instructions

- Always purchase the correct size and grade of battery most suitable for the intended use.
- Always replace the whole set of batteries at one time; taking care not to mix old and new ones, or batteries of different types.
- Clean the battery contacts and also those of the device prior to battery installation.
- Make sure the batteries are installed correctly with regard to polarity (+ and –).
- Remove batteries from equipment that is not to be used for an extended period of time.
- Remove used batteries promptly.
- Never short-circuit batteries as this may lead to high temperatures, leakage, or explosion.
- Never heat batteries in order to revive them.
- Do not disassemble batteries.
- Remember to switch off devices after use.
- Keep batteries out of the reach of children, to avoid risk of ingestion, suffocation, or poisoning.
- Utilize used batteries as prescribed by your country laws.

## Levenhuk International Lifetime Warranty

All Levenhuk telescopes, microscopes, binoculars and other optical products, except for accessories, carry a **lifetime warranty** against defects in materials and workmanship. Lifetime warranty is a guarantee on the lifetime of the product on the market. All Levenhuk accessories are warranted to be free of defects in materials and workmanship for **six months** from date of retail purchase. The warranty entitles you to free repair or replacement of the Levenhuk product in any country where a Levenhuk office is located if all warranty conditions are met.

For further details please visit our web site: [www.levenhuk.com/warranty](http://www.levenhuk.com/warranty)

If warranty problems arise, or if you need assistance in using your product, contact the local Levenhuk branch.

## Обща информация

Преди да започнете работа с микроскопа, прочетете внимателно ръководството за потребителя. При правилна употреба биологичните микроскопи от Levenhuk D80L LCD и D90L LCD са безопасни за здравето, живота и имуществото на потребителя, както и за околната среда, и отговарят на изискванията на международните стандарти. Тези микроскопи са предназначени за наблюдение на прозрачни обекти в предавана светлина с помощта на метода на светлото поле. Те дават добри резултати при клинични изследвания и тестове; обучителни демонстрации; бактериоскопски и цитологични изследвания в медицински и здравни заведения, лаборатории, университети; и могат да бъдат използвани за научни изследвания в областта на селското стопанство и микробиологията.

## Сглобяване на микроскопа

- Внимателно разопакувайте микроскопа и го поставете на равна повърхност.
- Свалете полиетиленовите торби и покривалото против прах от главата на окуляра.
- Монтирайте течнокристалния екран и затегнете заключващия винт.
- Проверете всички елементи, включени в комплекта, и определете предназначението им.
- D90L LCD: Свържете захранващия кабел към микроскопа и го включете в мрежата.
- D80L LCD: Отворете отделението за батерии, поставете батериите според маркировката на полярността на отделението за батерии, поставете отново капака на отделението за батерии и включете микроскопа. Преди да използвате микроскопа, е необходимо да заредите батериите: поставете батериите в отделението за батерии (спазвайте полярността) и свържете микроскопа към електрическата мрежа, като използвате мрежовия адаптер.

## Употреба

Вижте фиг. 1a (Levenhuk D80L LCD) и фиг. 1b (Levenhuk D90L LCD).

- Включете захранването и осветлението ще се включи. Настройте яркостта на приблизително 70%. Поставете образеца върху предметната маса. Уверете се, че щипките държат образеца здраво на място.
- D80L LCD: Регулирайте височината на предметната маса чрез завъртане на заключващия винт.
- D90L LCD: Ирисовата диафрагма трябва да се регулира съобразно с цифровата апертура на дадена леща. Най-добре е от практична гледна точка да направите ирисовата диафрагма малко по-малка от апертурата на избраната леща. Отворете или затворете ирисовата диафрагма с помощта на регулиращите винтове. Ако регулиращият винт се завърти надясно, ирисовата диафрагма е отворена докрай. **Забележка:** Диафрагмата не е предназначена за регулиране на яркостта на осветлението. За да регулирате яркостта, използвайте бутона за регулиране на яркостта.
- D90L LCD: Плъзнете държача за филтри, поставете филтъра в него, след което върнете държача в първоначалното му положение.
- D80L LCD: Въртете дисковата диафрагма, докато преминаващият светлинен лъч не се редуцира до комфортно ниво на яркост. Ако изображението е твърде тъмно, изберете по-голяма апертура, за да увеличите светлинния лъч.
- За да промените увеличението на обектива, завъртете револверната глава, докато чуete щракване.
- Уверете се, че при регулиране на фокуса лещата не докосва образеца: въртете бутона за грубо фокусиране, докато образецът не застане на разстояние около 3,175 mm (1/8") от лещата.
- Завъртете бутона за фино фокусиране, за да направите изображението по-ясно. Механизмът за фино фокусиране дава възможност да фокусирате върху наблюдавания образец, като същевременно използвате големи увеличения.
- D90L LCD: Като гледате през окуляра, бавно въртете бутона за грубо фокусиране, докато успеете да видите изображението на наблюдавания образец. Завъртете бутона за фино фокусиране, за да направите изображението по-ясно. Механизмът за фино фокусиране дава възможност да фокусирате върху наблюдавания образец, като същевременно използвате големи увеличения.
- За да регулирате позицията на механичната скала (само за D90L LCD), завъртете бутона за грубо фокусиране по посока на часовниковата стрелка, ако искате да фиксирате позицията на механичната скала, или в посока, обратна на часовниковата стрелка, ако искате да я разхлабите.
- D90L LCD: За да поставите образеца в зрителното поле, местете предметната маса хоризонтално напред-назад или наляво-надясно с помощта на бутона за преместване на предметната маса.
- Докато гледате в монитора, използвайте бутоните за фокусиране, за да регулирате остротата на изображението.

## Течнокристален екран

Levenhuk D80L LCD и D90L LCD идва с течнокристален екран (фиг. 2). Свържете захранващия кабел към захранващия конектор на течнокристалния екран и го свържете към мрежата. Поставете SD картата (включена) в слота за SD карта, за да видите изображението и да запазвате останалите снимки и видеозаписи. След това включете течнокристалния екран с бутона за включване/изключване, като натиснете и задържите в продължение на 3 секунди.

## Цифрово увеличение

По време на наблюденията натиснете бутона „UP“ (НАГОРЕ), за да увеличите изображението, и бутона „DOWN“ (НАДОЛУ), за да намалите изображението.

## Снимки

За да направите снимка, натиснете бутона „Capture“ (Заснемане) на контролния панел.

## Видеозапис

1. За да влезете в режим на видеозапис, натиснете бутона „Video“ (Видеозапис).
2. За да стартирате видеозапис, натиснете бутона „Capture“ (Заснемане).
3. За да спрете видеозаписа, натиснете отново бутона „Capture“ (Заснемане).

## Преглед на снимки и видеоматериали

1. Поставете SD картата в SD слота.
2. Натиснете бутона „Video“ (Видеозапис) два пъти, за да включите режима за преглед.
3. Натиснете бутоните „Right“ (Наляво) и „Left“ (Надясно), за да прегледате снимките и видеоматериалите. За да стартирате възпроизвеждане на видеоматериала, натиснете бутона „Capture“ (Заснемане).

## Запамятване на снимки и видеоматериали на компютър

1. Поставете SD картата в SD слота.
2. Използвайте USB кабела и свържете микроскопа към компютъра. Сега можете да прехвърлите снимките и видеоматериалите на компютъра.

## Преглед на компютър (само за Windows 7 и по-ниски версии)

1. Инсталирайте софтуера **SENSor driver** (включен) на компютъра. След завършване на инсталацията на десктопа ще се появи иконата **CamApp**.
2. С помощта на бутона за включване/изключване на захранването изключете течнокристалния екран.
3. Използвайте USB кабела и свържете течнокристалния екран към компютъра.
4. Натиснете и задръжте бутона Photo (Снимки), докато на течнокристалния екран се появи **PC CAM**. След това инсталацията на драйвера ще започне автоматично.
5. Когато инсталацията приключи, щракнете върху иконата **CamApp** на десктопа на Вашия компютър, за да започнете да разглеждате.

## Свързване към телевизор/монитор с AV конектор

1. Използвайте AV кабел (не е включен) и свържете течнокристалния екран към телевизора/монитора.
2. Натиснете бутона „Setup“ (Настройка).
3. Изберете елемента от менюто TV OUT (изход за телевизор).
4. Изберете режим на телевизора (NTSC/PAL).
5. Сега можете да започнете да преглеждате на екрана.

## Настройка

Натиснете бутона „Setup“ (Настройка), за да отидете в менюто за настройки на течнокристалния екран. Използвайте бутоните за управление, за да изберете необходимите параметри. Натиснете отново бутона „Setup“ (Настройка), за да запаметите избраните параметри.

Задръжте бутона за включване и изключване на захранването в продължение на 3 секунди, за да изключите течнокристалния екран.

## Смяна на предпазител (Levenhuk D90L LCD)

Изключете микроскопа от източника на захранване. Отворете държача за предпазителя, намиращ се отзад на корпуса на микроскопа с отвертка с плоска глава. Отстранете стария предпазител и монтирайте нов. Използвайте само подходящи типове предпазители. Затворете държача за предпазителя.

## Спецификации

ИД на продукт	75433	75434
Модел	Levenhuk D80L LCD	Levenhuk D90L LCD
Тип	биологичен/оптичен	
Метод за изследване	на светлото поле	
Увеличение	60x, 150x, 600x	60x, 150x, 600x, 1500x
Глава на окуляра	5,6" цветен течнокристален екран	
Материал на оптиката	оптично стъкло	
Обективи	ахроматични: 4x, 10x, 40xs	ахроматични: 4x, 10x, 40xs, 100xs (с маслена имерсия)
Революерна глава	3 обектива	4 обектива
Диапазон на движение на предметната маса	–	70/30 mm
Предметна маса	90x90 mm, с държачи за образец	механична двуслойна, 110x126 mm, с механична скала
Система за фокусиране	коаксиално, грубо (15 mm) и фино (0,002 mm)	
Кондензатор	0,65 ирисова диафрагма и държач за филтри (6 апертури)	Abbe N.A. 1,25 ирисова диафрагма и държач за филтри
Корпус	метал	
Осветление	горно и долно (0,2 W светодиодно) с регулиране на яркостта	ниско (1 W светодиодно) с регулиране на яркостта
Колектор	+	+
Филтри	–	син
Флакон с имерсионно масло	–	+
Предпазител	–	+
Захранване	3 батерии AA или 110–220 V, чрез променливотоков адаптер	110–220 V, чрез променливотоков адаптер
Цифрова камера	2 Мрх	
Захранване на камерата	5 V/1 A; чрез променливотоков адаптер	

## Спецификации на течнокристалния екран

Максимална разделителна способност (неподвижни изображения)	1600x1200 px
Мегапиксела	2
Сензор	1/3
Местоположение за монтировка	рамо на микроскопа
Размер на пикселите	2,8 $\mu\text{m}$
Чувствителност	1,0 V/lux.sec@550 nm
Спектрален обхват	400–950 nm
Формат на изображението	*.jpg
Видеоформат	*.avi
Баланс на бялото	автоматичен
Контрол на експозицията	автоматичен
Изход	слот за SD карта изход за AV мини USB: изход към компютър DC: зареждане на батерията
Захранване на камерата	5 V/1 A; чрез променливотоков адаптер
Операционна система	Windows 7 и по-ниска версия

Levenhuk си запазва правото да променя или да преустанови предлагането на продукта без предварително уведомление.





**Внимание!** Моля, вижте в таблицата с техническите спецификации правилното мрежово напрежение и никога не се опитвайте да включите устройство за 110 V в захранващо гнездо за 220 V изход и обратно, без да използвате преобразувател. Не забравяйте, че мрежовото напрежение в САЩ и Канада е 110 V и 220–240 V в повечето европейски страни.

## Грижи и поддръжка

- Никога и при никакви обстоятелства не гледайте директно към слънцето, друг ярък източник на светлина или лазер през това устройство, тъй като това може да предизвика **ПЕРМАНЕНТНО УВРЕЖДАНЕ НА РЕТИНАТА** и може да доведе до **СЛЕПОТА**.
- Предприемете необходимите превантивни мерки при използване на това устройство от деца или други, които не са прочели или които не са разбрали напълно тези инструкции.
- След като разопаковате Вашия микроскоп и преди да го използвате за първи път, проверете дали всички компоненти и връзки са здрави и с ненарушена цялост.
- Не се опитвайте да разглобявате устройството самостоятелно. За всякакви ремонти се обръщайте към местния специализиран сервизен център.
- Предпазвайте устройството от внезапни удари и прекомерна механична сила. Не прилагайте прекомерен натиск при настройване на фокусирането. Не пренатягайте заключващите винтове.
- Не пипайте повърхностите на оптиката с пръсти. За почистване на отвън, използвайте само специални кърпички и течности за почистване на оптика от Levenhuk. Не използвайте корозивни течности или такива на основата на ацетон за почистване на оптиката.
- Абразивните частици, като напр. пясък, не трябва да бъдат забърсвани от лещите, а трябва да бъдат издухвани или изчетквани с мека четка.
- Не използвайте устройството за продължителни периоди от време и не го оставяйте без надзор на директна слънчева светлина. Пазете устройството далече от вода и висока влажност.
- Бъдете внимателни по време на наблюдения, винаги поставяйте покривалото против прах обратно на мястото му, след като сте приключили с наблюдението, за да предпазите устройството от прах и поява на петна.
- Ако не използвате Вашия микроскоп за продължителни периоди от време, съхранявайте лещите на обектива и окулярите отделно от микроскопа.
- Съхранявайте устройството на сухо и хладно място, далеч от опасни киселини и други химикали, далеч от отоплителни уреди, открит огън и други източници на високи температури.
- Когато използвате микроскопа, опитайте да не го използвате в близост до запалими материали или вещества (бензен, хартия, картон, пластмаса и т. н.), тъй като основата може да се нагрее по време на употреба и може да възникне опасност от пожар.
- Винаги изключвайте микроскопа от източника на захранване, преди да отворите основата или да смените осветителната лампа. Независимо от вида на лампата (халогенна или с нажежаема жичка) я оставете да се охлади за кратко, преди да опитате да я смените, и винаги я сменяйте с лампа от същия тип.
- Винаги използвайте захранване с подходящо напрежение, т.е. посоченото в спецификациите на Вашия нов микроскоп. Включването на инструмента в електрически контакт с различно напрежение ще повреди електрическата верига на микроскопа, ще изгори лампата или може дори да причини късо съединение.
- Потърсете веднага медицинска помощ, ако погълнете малка част или батерия.

## Инструкции за безопасност на батериите

- Винаги купувайте батерии с правилния размер и характеристики, които са най-подходящи за предвидената употреба.
- Винаги сменяйте всички батерии едновременно, като внимавате да не смесите стари и нови или батерии от различен тип.
- Почистете контактите на батериите, както и тези на устройството, преди да поставите батериите.
- Уверете се, че батериите са поставени правилно по отношение на полярността (+ и –).
- Извадете батериите от оборудването, ако то няма да бъде използвано продължителен период от време.
- Извадете използваните батерии незабавно.
- Никога не свързвайте батерии накъсо, тъй като това може да доведе до високи температури, теч или експлозия.
- Никога не загрявайте батерии, опитвайки се да ги използвате допълнително време.
- Не забравяйте да изключите устройствата след употреба.
- Дръжте батериите далеч от достъпа на деца, за да избегнете риск от поглъщане, задушаване или отравяне.

## Международна доживотна гаранция от Levenhuk

Всички телескопи, микроскопи, бинокли и други оптични продукти от Levenhuk, с изключение на аксесоарите, имат **доживотна гаранция** за дефекти в материалите и изработката. Доживотната гаранция представлява гаранция, валидна за целия живот на продукта на пазара. За всички аксесоари Levenhuk се предоставя гаранция за липса на дефекти на материалите и изработката за период от **две години** от датата на покупка на дребно. Levenhuk ще ремонтира или замени всеки продукт или част от продукт, за които след проверка от страна на Levenhuk се установи наличие на дефект на материалите или изработката. Задължително условие за задължението на Levenhuk да ремонтира или замени такъв продукт е той да бъде върнат на Levenhuk заедно с документ за покупка, който е задоволителен за Levenhuk.

Тази гаранция не покрива консумативи, като крушки (електрически, LED, халогенни, енергоспестяващи или други типове лампи), батерии (акумулаторни и неакумулаторни), електрически консумативи и т.н.

За повече информация посетете нашата уебстраница: [www.levenhuk.bg/garantsiya](http://www.levenhuk.bg/garantsiya)

Ако възникнат проблеми с гаранцията или ако се нуждаете от помощ за използването на Вашия продукт, свържете се с местния представител на Levenhuk.

## Všeobecné informace

Než začnete pracovat s mikroskopem, přečtěte si pečlivě Návod k použití. Při správném používání jsou biologické mikroskopy Levenhuk D80L LCD a D90L LCD bezpečné z hlediska ochrany zdraví, života i majetku spotřebitele, životního prostředí a splňují požadavky mezinárodních norem. Tyto mikroskopy jsou určeny k pozorování průhledných objektů v procházejícím světle pomocí metody jasného zorného pole. Mohou se dobře uplatnit v klinickém výzkumu a testování, při ukázkách během výuky, v bakterioskopii a cytologii v lékařských a zdravotnických zařízeních, v laboratořích i na univerzitách, a lze je použít ke klinickému výzkumu v zemědělství a mikrobiologii.

## Sestavení mikroskopu

- Mikroskop opatrně vybalte a položte na rovný povrch.
- Odstraňte plastové sáčky a prachotěsnou krytku hlavy okuláru.
- Namontujte LCD obrazovku a utáhněte pojistný šroub.
- Zkontrolujte všechny položky obsažené v sadě a definujte jejich účel.
- D90L LCD: Připojte napájecí kabel k mikroskopu a zapojte jej.
- D80L LCD: Otevřete přihrádku na baterie, umístěte baterie podle označení polarit na přihrádce, vložte dvířka přihrádky zpět na místo a mikroskop zapněte. Před použitím mikroskopu je nutné dobít baterie: vložte baterie do přihrádky na baterie (podle označení polarit) a pomocí napájecího adaptéru zapojte mikroskop k síťovému zdroji.

## Použití

Viz Obr. 1a (Levenhuk D80L LCD) a Obr. 1b (Levenhuk D90L LCD).

- Zapněte napájení a osvětlení se zapne. Nastavte jas přibližně na 70%. Umístěte vzorek na pracovní stolek mikroskopu. Ujistěte se, že spony drží vzorek pevně na svém místě.
- D80L LCD: Nastavte výšku pracovního stolku otáčením pojistného šroubu.
- D90L LCD: Irisová clona by měla být nastavena podle numerické clony objektivu. Osvědčenou praxí je nastavit irisovou clonu na hodnotu o něco menší než je clona zvolené čočky objektivu. Otevřete nebo zavřete irisovou clonu pomocí seřizovacích šroubů. Pokud se seřizovací šroub otočí doprava, irisová clona se zcela otevře. Poznámka: Tato clona není určena k nastavení jasu osvětlení. Pokud chcete seřídit jas, použijte knoflík pro nastavení jasu.
- D90L LCD: Zasuňte držák filtru, vložte do něj filtr a poté držák vraťte do původní polohy.
- D80L LCD: Otáčejte kotoučovou clonou, dokud není jas procházejícího světla uspokojivý. Je-li obraz příliš tmavý, zvýšte intenzitu světla nastavením vyšší apertury.
- Pokud chcete změnit zvětšení objektivu, otáčejte revolverovým nosičem objektivů, dokud nezaklapne.
- Při úpravě zaostření se ujistěte, že se čočka objektivu nedotkla vzorku: otáčejte knoflíkem pro hrubé zaostření, dokud není vzorek ve vzdálenosti asi 3,175 mm (1/8") od čočky objektivu.
- Otočením knoflíku pro jemné zaostření se obraz zcela zaostří. Mechanismus jemného zaostření umožňuje zaostřit na pozorovaný vzorek při použití velkých zvětšení.
- D90L LCD: Při použití imerzního objektivu by měl být prostor mezi preparátem a objektivem vyplněn imerzním olejem. Zvedněte kondenzor do horní polohy a dejte kapku oleje na čočku a krycí sklíčko vzorku. Pohybujte revolverovým nosičem objektivů tam a zpět, abyste se zbavili vzduchových bublin v oleji. Poté objektiv upevněte do pracovní polohy. Ujistěte se, že olej zaplňuje celý prostor mezi objektivem a vzorkem. Po použití objektivů otřete do sucha.
- Pokud chcete upravit polohu mechanického měřítka (pouze D90L LCD), otáčejte knoflíkem pro hrubé zaostření ve směru hodinových ručiček pro zařizování polohy mechanického měřítka, nebo proti směru hodinových ručiček pro uvolnění této polohy.
- D90L LCD: K umístění vzorku do zorného pole posouvejte pracovní stolek vodorovně dozadu a dopředu nebo doleva a doprava pomocí otočného knoflíku stolku
- Během sledování monitoru můžete upravit ostrost obrazu pomocí zaostřovacích koleček.

## LCD obrazovka

Levenhuk D80L LCD a D90L LCD je vybaven LCD obrazovkou (Obr. 2). Napájecí kabel připojte k napájecímu konektoru na LCD obrazovce a připojte ho k síti. Chcete-li si prohlédnout obrázek a uložit výsledné fotografie a videa, vložte kartu SD (je součástí dodávky) do slotu na kartu SD. Potom stisknutím a podržením vypínače napájení po dobu tří sekund zapnete LCD obrazovku.

### Digitální zvětšení

Během pozorování můžete obraz zvětšit stisknutím tlačítka „UP“ (NAHORU) a zmenšit stisknutím tlačítka „DOWN“ (DOLŮ).

### Fotografie

За да направите снимка, натиснете бутона „Capture“ (Заснемане) на контролния панел.

### Video

1. Stisknutím tlačítka „Video“ přepnete do režimu záznamu videa.
2. Záznam videa zahájíte stisknutím tlačítka „Capture“ (Pořídít snímek).
3. Záznam ukončíte opětovným stisknutím tlačítka „Capture“ (Pořídít snímek).

### Prohlížení fotografií a videí

1. Vložte kartu SD do slotu pro kartu SD.
2. Dvakrát stiskněte tlačítko „Video“. Přepnete tak do režimu prohlížení.

3. Obrázky a videa si můžete prohlížet pomocí tlačítek „Right“ (Doprava) “ nebo „Left“ (Doleva). Přehrávání videa zahájíte stisknutím tlačítka „Capture“ (Pořídít snímek).

#### **Uložení fotografií a videí do počítače**

1. Vložte kartu SD do slotu pro kartu SD.
2. Pomocí kabelu USB připojte mikroskop k počítači. Potom můžete fotografie a videa přesunout do počítače.

#### **Prohlížení na počítači (pouze systém Windows 7 a nižší)**

1. Do počítače nainstalujte software **SENSor driver** (je součástí dodávky). Až instalaci softwaru dokončíte, na ploše se vám ukáže ikona aplikace **CamApp**.
2. Pomocí tlačítka „Power on/off“ (Napájení zap/vyp) vypněte LCD obrazovku.
3. Pomocí kabelu USB připojte LCD obrazovku k počítači.
4. Stiskněte a podržte tlačítko „Photo“ (Foto), dokud se na LCD obrazovce neobjeví **PC CAM**. Instalace ovladače se potom spustí automaticky.
5. Až bude instalace hotová, kliknutím na ikonu aplikace **CamApp** na ploše počítače můžete zahájit prohlížení.

#### **Připojení k televizoru nebo monitoru pomocí konektoru AV**

1. Pomocí kabelu AV (není součástí dodávky) připojte LCD obrazovku k televizoru nebo k monitoru.
2. Stiskněte tlačítko „Setup“ (Nastavení).
3. Z nabídky vyberte položku TV OUT (VÝSTUP TV).
4. Vyberte režim TV (NTSC/PAL).
5. Teď můžete začít s prohlížením na obrazovce.

#### **Nastavení**

Stisknutím tlačítka „Setup“ (Nastavení) přejdete do nabídky nastavení LCD obrazovky. Pomocí ovládacích tlačítek vyberte požadované parametry. Znovu stiskněte tlačítko „Setup“ (Nastavení), aby se vybrané parametry uložily.

Podržením tlačítka „Power on/off“ (Napájení zap/vyp) po dobu tří sekund vypněte LCD obrazovku.

#### **Výměna pojistky (Levenhuk D90L LCD)**

Odpojte mikroskop od zdroje napájení. Plochým šroubovákem otevřete držák pojistky umístěný na zadní straně těla mikroskopu. Vyjměte starou pojistku a nainstalujte novou. Používejte pouze vhodné typy pojistek. Zavřete držák pojistky.

## Technické údaje

ID produktu	75433	75434
Model	Levenhuk D80L LCD	Levenhuk D90L LCD
Typ	biologický/optický	
Metoda pozorování	jasné pole	
Zvětšení	60x, 150x, 600x	60x, 150x, 600x, 1500x
Hlava okuláru	5,6" barevný LCD obrazovka	
Materiál optiky	optické sklo	
Objektivy	achromatické: 4x, 10x, 40xs	achromatické: 4x, 10x, 40xs, 100xs (pro pozorování s olejovou imerzí)
Revolverový nosič objektivů	3 objektivy	4 objektivy
Rozsah posuvu pracovního stolku	–	70/30 mm
Pracovní stolek	90x90 mm, včetně držáků preparátů	mechanický se dvěma vrstvami, 110x126 mm, s mechanickým měřítkem
Systém ostření	koaxiální, hrubé (15 mm) a jemné (0,002 mm)	
Kondenzor	0,65 s irisovou clonou a držákem filtru (6 apertur)	Abbeův N.A. 1,25 s irisovou clonou a držákem filtru
Tělo	kov	
Osvětlení	horní a dolní (0,2 W LED) s nastavením jasu	dolní (1 W LED) s nastavením jasu
Kolektor	+	+
Filtry	–	modrý
Nádobka s imerzním olejem	–	+
Pojistka	–	+
Napájení	3 baterie AA nebo 110–220 V, prostřednictvím AC adaptéru	110–220 V, prostřednictvím AC adaptéru
Digitální fotoaparát	2 Mpx	
Napájecí zdroj fotoaparátu	5 V, 1 A prostřednictvím síťového adaptéru	

## Specifikace LCD obrazovky

Max. rozlišení (fotografie)	1600x1200 px
Rozlišení v megapixelech	2
Snímač	1/3
Montážní místo	rameno mikroskopu
Rozměr pixelu	2,8 µm
Citlivost	1,0 V/lux.sec@550 nm
Spektrální rozsah	400–950 nm
Obrazový formát	*.jpg
Formát videozáznamů	*.avi
Vyvážení bílé	automatické
Nastavení expozice	automatické
Výstup	slot pro SD kartu výstup AV miniUSB: výstup do PC DC: nabíjení baterií
Napájení fotoaparátu	5 V, 1 A prostřednictvím síťového adaptéru
Operační systém	Windows 7 a nižší

Společnost Levenhuk si vyhrazuje právo provádět bez předchozího upozornění úpravy jakéhokoliv výrobku, případně zastavit jeho výrobu.



**Upozornění!** Správné síťové napětí naleznete v tabulce technických parametrů. Bez použití měniče se nikdy nepokoušejte připojit zařízení dimenzované na napětí 220 V do zásuvky poskytující napětí 110 V a opačně. Mějte na paměti, že síťové napětí ve většině evropských zemí je 220–240 V, zatímco v USA a v Kanadě je to 110 V.

## Péče a údržba

- **Nikdy, za žádných okolností se tímto přístrojem nedívejte přímo do slunce, jiného světelného zdroje nebo laseru, neboť hrozí nebezpečí TRVALÉHO POŠKOZENÍ SÍTNICE a případně i OSLEPNUTÍ.**
- Při použití tohoto přístroje dětmi nebo osobami, které tento návod nečetly nebo s jeho obsahem nebyly plně srozuměny, uplatněte nezbytná preventivní opatření.
- Po vybalení mikroskopu a před jeho prvním použitím zkontrolujte neporušenost jednotlivých komponent a spojů.
- Nepokoušejte se přístroj sami rozebírat. S opravami veškerého druhu se obračejte na své místní specializované servisní středisko.
- Přístroj chraňte před prudkými nárazy a nadměrným mechanickým namáháním. Při zaostřování nevyvíjejte nadměrný tlak. Neutahujte šrouby konstrukce příliš silně.
- Nedotýkejte se svými prsty povrchů optických prvků. K vyčištění vnějších částí přístroje používejte výhradně speciální čisticí ubrousky a speciální nástroje k čištění optiky dodávané společností Levenhuk. K čištění optiky nepoužívejte žádné žíraviny ani kapaliny na acetonové bázi.
- Abrazivní částice, například písek, by se neměly z čoček otírat, ale sfouknout nebo smést měkkým kartáčkem.
- Přístroj příliš dlouho nepoužívejte ani neopouštějte bez dozoru na přímém slunci. Chraňte přístroj před stykem s vodou.
- Při pozorování dbejte na opatrnost; po skončení pozorování vždy nasadte ochranný kryt, abyste mikroskop ochránili před prachem a jiným znečištěním.
- Pokud svůj mikroskop nebudete delší dobu používat, uložte čočky objektivu a okuláru odděleně od samotného mikroskopu.
- Přístroj ukládejte na suchém, chladném místě, mimo dosah nebezpečných kyselin nebo jiných chemikálií, topných těles, otevřeného ohně a jiných zdrojů vysokých teplot.
- Mikroskop nepoužívejte v blízkosti hořlavých materiálů nebo látek (benzín, papír, lepenka, plast apod.), neboť stativ se může při práci zahřívat a vyvolávat riziko požáru.
- Před otevřením stativu nebo výměnou žárovky osvětlení vždy mikroskop odpojte od zdroje napájení. Bez ohledu na typ žárovky (halogenová nebo obyčejná) ji nechejte před výměnou nějakou dobu vychladnout a vždy ji vyměňujte za žárovku stejného typu.
- Vždy používejte napájení o správném napětí tak, jak je uvedeno v technických údajích vašeho nového mikroskopu. Připojení přístroje do odlišné zásuvky může vést k poškození elektronických obvodů mikroskopu, spálení žárovky nebo dokonce vyvolat zkrat.
- Při náhodném požití malé součásti nebo baterie ihned vyhledejte lékařskou pomoc.

## Bezpečnostní pokyny týkající se baterií

- Vždy nakupujte baterie správné velikosti a typu, které jsou nejvhodnější pro zamýšlený účel.
- Při výměně vždy nahrazujte celou sadu baterií a dbejte na to, abyste nemíchali staré a nové baterie, případně baterie různých typů.
- Před instalací baterií vyčistěte kontakty na baterii i na přístroji.
- Ujistěte se, zda jsou baterie instalovány ve správné polaritě (+ resp. –).
- V případě, že zařízení nebudete delší dobu používat, vyjměte z něj baterie.
- Použité baterie včas vyměňujte.
- Baterie nikdy nezkratujte, mohlo by to vést ke zvýšení teploty, úniku obsahu baterie nebo k explozi.
- Baterie se nikdy nepokoušejte oživit zahříváním.
- Po použití nezapomeňte přístroj vypnout.
- Baterie uchovávejte mimo dosah dětí, abyste předešli riziku spolknutí, vdechnutí nebo otravy.

## Mezinárodní doživotní záruka Levenhuk

Na veškeré teleskopy, mikroskopy, triedry a další optické výrobky značky Levenhuk, s výjimkou příslušenství, se poskytuje **doživotní záruka** pokrývající vady materiálu a provedení. Doživotní záruka je záruka platná po celou dobu životnosti produktu na trhu. Na veškeré příslušenství značky Levenhuk se poskytuje záruka toho, že je dodáváno bez jakýchkoli vad materiálu a provedení, a to po dobu **dvou let** od data zakoupení v maloobchodní prodejně. Společnost Levenhuk provede opravu či výměnu výrobku nebo jeho části, u nichž se po provedení kontroly společností Levenhuk prokáže výskyt vad materiálu nebo provedení. Nezbytnou podmínkou toho, aby společnost Levenhuk splnila svůj závazek provést opravu nebo výměnu takového výrobku, je předání výrobku společně s dokladem o nákupu vystaveným ve formě uspokojivé pro Levenhuk.

Tato záruka se nevztahuje na spotřební materiál, jako jsou žárovky (klasické, LED, halogenové, úsporné a jiné typy žárovek), baterie (akumulátory i jednorázové baterie), elektromontážní spotřební materiál apod.

Další informace - navštivte naše webové stránky: [www.levenhuk.cz/zaruka](http://www.levenhuk.cz/zaruka)

V případě problémů s uplatněním záruky, nebo pokud budete potřebovat pomoc při používání svého výrobku, obraťte se na místní pobočku společnosti Levenhuk.

## Allgemeine Informationen

Machen Sie sich gründlich mit der Bedienungsanleitung vertraut, bevor Sie mit Ihrem Mikroskop arbeiten. Die Levenhuk-Biologiemikroskope der D80L LCD und D90L LCD sind bei richtigem Einsatz sicher in der Anwendung, erfüllen Vorgaben internationaler Standards. Die Mikroskope sind zur Beobachtung transparenter Objekte im Durchlicht gemäß Hellfeld-Verfahren vorgesehen. Die Instrumente eignen sich für klinische Forschung und Tests, zu Demonstrationszwecken, zur Bakterio- und Zytoskopie im medizinischen Umfeld, zum Einsatz in Laboratorien, Universitäten und Schulen sowie zur wissenschaftlichen Forschung bei Agrikultur und Mikrobiologie.

## Mikroskop montieren

- Packen Sie das Mikroskop sorgfältig aus, stellen Sie das Instrument auf eine flache Unterlage.
- Nehmen Sie sämtliche Kunststoffbeutel und die Staubschutzhaube vom Okularkopf ab.
- Bringen Sie den LCD-Bildschirm an, ziehen Sie die Fixierschraube an.
- Schauen Sie sich alle mitgelieferten Komponenten an, machen Sie sich mit deren Zweck vertraut.
- D90L LCD: Schließen Sie das Stromversorgungskabel an das Mikroskop an, stecken Sie den Netzstecker in die Steckdose.
- D80L LCD: Öffnen Sie das Batteriefach, legen Sie die Batterien/Akkus ein. Orientieren Sie sich dabei an den Polaritätsmarkierungen im Batteriefach. Schließen Sie das Batteriefach wieder, schalten Sie das Mikroskop anschließend ein. Wenn Sie Akkus verwenden, müssen diese aufgeladen werden, bevor Sie das Mikroskop benutzen: Legen Sie die Akkus in das Batteriefach ein (Polarität beachten), schließen Sie das Mikroskop danach über das Netzteil an die Steckdose an.

## Bedienung

Schauen Sie sich die Abbildungen 1a (Levenhuk D80L LCD) oder 1b (Levenhuk D90L LCD) an.

- Schalten Sie das Gerät ein, die Beleuchtung schaltet sich mit ein. Stellen Sie die Helligkeit auf etwa 70 % ein. Legen Sie die Probe auf den Objektstisch. Achten Sie darauf, dass die Probe unverrückbar von den Clips gehalten wird.
- D80L LCD: Stellen Sie die Objektstischhöhe durch Drehen der Fixierschraube ein.
- D90L LCD: Stellen Sie die Irisblende nach Bedarf ein. Am besten stellen Sie die Irisblende etwas kleiner als die Öffnung des ausgewählten Objektivs ein. Mit der Einstellschraube öffnen und schließen Sie die Irisblende. Wenn Sie die Einstellschraube nach rechts drehen, öffnet sich die Irisblende. **Hinweis:** Die Irisblende ist nicht zur Helligkeitsregelung der Beleuchtung gedacht. Ändern Sie die Beleuchtungshelligkeit mit dem Helligkeitsregler.
- D90L LCD: Schieben Sie den Filterhalter beiseite, legen Sie den Filter ein, bringen Sie den Halter anschließend wieder in die Ursprungsposition.
- D80L LCD: Drehen Sie die Irisblendenscheibe, bis eine angenehme Helligkeit erreicht ist. Falls das Bild zu dunkel ist, stellen Sie zum Aufhellen eine größere Öffnung ein.
- Zum Ändern der Objektivvergrößerung drehen Sie den Revolver, bis er einrastet.
- Achten Sie darauf, dass das Objektiv die Probe beim Scharfstellen nicht berührt: Drehen Sie den Grobtrieb, bis sich die Probe etwa 3 mm von der Objektivlinse entfernt befindet.
- Stellen Sie die Abbildung nun mit dem Feintrieb scharf ein. Der Feintrieb ermöglicht gefühlvolles Scharfstellen bei höheren Vergrößerungen.
- D90L LCD: Wenn Sie mit Immersionsöl arbeiten, muss der Raum zwischen Probe und Objektivlinse mit Immersionsöl gefüllt sein. Bringen Sie den Kondensor in die obere Position, geben Sie einen Tropfen Öl auf die Objektivlinse und auf das Deckglas der Probe. Bewegen Sie den Revolver zum Entfernen von Luftblasen im Öl leicht vor und zurück. Anschließend fixieren Sie das Objektiv in seiner Arbeitsposition. Achten Sie darauf, dass das Öl den gesamten Raum zwischen Objektiv und Objekt ausfüllt. Wischen Sie die Objektivlinse nach der Untersuchung wieder trocken.
- Zum Verstellen der physischen Skala (nur D90L LCD) drehen Sie den Grobtrieb zum Fixieren der Skalaposition im Uhrzeigersinn, zum Lösen drehen Sie gegen den Uhrzeigersinn.
- D90L LCD: Um die Probe ins Sehfeld zu holen, bewegen Sie den Objektstisch mit den Tischverstellungsknöpfen horizontal nach vorne, hinten, links oder rechts
- Schauen Sie auf den Bildschirm, stellen Sie dabei die Bildschärfe mit Grob- und Feintrieb ein.

## LCD-Bildschirm

Das Levenhuk D80L LCD und D90L LCD ist mit einem LCD-Bildschirm ausgestattet (Abbildung 2). Schließen Sie das Stromversorgungskabel an den Stromanschluss des LCD-Bildschirms an, stellen Sie die Verbindung zur Steckdose her. Legen Sie die (mitgelieferte) SD-Karte in den SD-Kartensteckplatz ein, damit Sie Fotos und Videos entsprechend archivieren können. Danach schalten Sie den LCD-Bildschirm ein, indem Sie die Ein-/Austaste etwa 3 Sekunden lang gedrückt halten.

## Digitale Vergrößerung

Mit der Aufwärtstaste vergrößern Sie die Bilddarstellung, mit der Abwärtstaste verkleinern Sie die Darstellung.

## Fotos

Zum Aufnehmen eines Fotos drücken Sie die Aufnahmetaste am Bedienfeld.

## Videos

1. Wechseln Sie mit der Video-Taste in den Videoaufnahmemodus.
2. Starten Sie die Videoaufnahme mit der Aufnahmetaste ("Capture").
3. Zum Stoppen der Videoaufnahme drücken Sie die Aufnahmetaste ("Capture") noch einmal.

### **Fotos und Videos anzeigen**

1. Legen Sie die SD-Karte in den SD-Kartensteckplatz ein (wenn die Karte nicht eh schon eingelegt ist).
2. Drücken Sie zum Umschalten in den Anzeigemodus die Video-Taste zweimal.
3. Wählen Sie die Bilder und Videos mit den Links- und Rechts-Tasten aus. Starten Sie die Videowiedergabe mit der Aufnahmetaste ("Capture").

### **Fotos und Videos per Computer speichern**

1. Legen Sie die SD-Karte in den SD-Kartensteckplatz ein (wenn die Karte nicht eh schon eingelegt ist).
2. Schließen Sie das Mikroskop über das USB-Kabel an den Computer an. Jetzt können Sie Fotos und Videos zum Computer übertragen.

### **Bild zum Computer übertragen (nur Windows bis Windows 7)**

1. Installieren Sie die mitgelieferte **SENSor**-Treibersoftware auf dem Computer. Nach Abschluss der Softwareinstallation erscheint das **CamApp**-Symbol auf dem Desktop.
2. Schalten Sie den LCD-Bildschirm mit der Ein-/Austaste an.
3. Schließen Sie den LCD-Bildschirm über das USB-Kabel an den Computer an.
4. Halten Sie die Foto-Taste ("Photo") gedrückt, bis **PC-CAM** im LCD-Bildschirm erscheint. Anschließend beginnt die Treiberinstallation automatisch.
5. Nach Abschluss der Installation doppelklicken Sie zum Starten der Anzeige auf das **CamApp**-Symbol auf dem Desktop.

### **Fernsehgeräte/Monitore mit AV-Anschluss verbinden**

1. Schließen Sie den LCD-Bildschirm über ein separat erhältliches AV-Kabel an das Fernsehgerät/den Monitor an.
2. Drücken Sie die Einrichtung-Taste ("Setup").
3. Wählen Sie den Menüpunkt TV-Ausgang (TV OUT).
4. Wählen Sie die Fernsehnorm (NTSC/PAL).
5. Nun können Sie die Mikroskopbilder auf dem großen Bildschirm betrachten.

### **Einrichtung**

Mit der Einrichtung-Tasten ("Setup") gelangen Sie zum Einstellungsmenü des LCD-Bildschirms. Wählen Sie die gewünschten Parameter mit den Steuerungstasten. Zum Speichern der ausgewählten Parameter drücken Sie die Einrichtung-Taste ("Setup") noch einmal.

Zum Abschalten des LCD-Bildschirms halten Sie die Ein-/Austaste etwa 3 Sekunden lang gedrückt.

### **Sicherung wechseln (Levenhuk D90L LCD)**

Trennen Sie das Mikroskop von der Stromversorgung. Öffnen Sie den Sicherungshalter an der Rückseite des Mikroskops mit einem Schlitzschraubendreher. Nehmen Sie die alte Sicherung heraus, setzen Sie eine neue ein. Verwenden Sie nur Sicherungen des passenden Typs. Schließen Sie den Sicherungshalter.



## Technische Daten

Artikelnummer	75433	75434
Modell	Levenhuk D80L LCD	Levenhuk D90L LCD
Typ	biologisch/optisch	
Beobachtungsverfahren	Hellfeld	
Vergrößerung	60x, 150x, 600x	60x, 150x, 600x, 1500x
Kopf	LCD-Bildschirm, 14 cm (5,6 Zoll)	
Optisches Material	Optikglas	
Objektivlinsen	achromatisch: 4-, 10-, 40-fach	achromatisch: 4-, 10-, 40-fach (xs), 100-fach (Öl)
Revolver	3 Objektive	4 Objektive
Objekttischverstellbereich	–	70/30 mm
Objekttisch	90x90 mm, mit Probenhaltern	mechanischer Kreuztisch, 110x126 mm, mit physischer Skala
Fokussierung	Koaxial, Grobtrieb (15 mm) und Feintrieb (0,002 mm)	
Kondensor	0,65-Irisblende und Filterhalter (6 Öffnungen)	Abbe N.A., 1,25-Irisblende und Filter
Gehäuse	Metall	
Beleuchtung	von oben und unten (0,2-W-LED) regelbare Helligkeit	von unten (1-W-LED) regelbare Helligkeit
Kollektor	+	+
Filter	–	blau
Fläschchen mit Immersionsöl	–	+
Sicherung	–	+
Stromversorgung	3 AA-Batterien, oder 110–220 V, über Netzteil	110–220 V, über Netzteil
Digitalkamera	2 Mpx	
Kamerastromversorgung	Netzteil (5 V, 1 A)	

## LCD-Bildschirm: Technische Daten

Maximale Auflösung (Standbilder)	1600x1200 px
Megapixel	2
Sensor	1/3
Montageposition	Mikroskoparm
Pixelgröße	2,8 µm
Empfindlichkeit	1,0 V/lux.sec@550 nm
Spektralbereich	400–950 nm
Bildformate	*.jpg
Videoformate	*.avi
Weißabgleich	Auto
Belichtungssteuerung	Auto
Anschlüsse	SD-Kartensteckplatz AV-Ausgang miniUSB: PC-Anschluss DC: Akku laden
Kamerastromversorgung	Netzteil (5 V, 1 A)
Betriebssystem	Windows bis Windows 7

Levenhuk behält sich das Recht vor, Produkte ohne vorherige Ankündigung zu modifizieren oder einzustellen.



**VORSICHT!** Die korrekte Netzspannung entnehmen Sie der Tabelle mit den technischen Daten. Schließen Sie ein 220-V-Gerät niemals ohne Spannungswandler an eine 110-V-Steckdose an und umgekehrt. In den meisten europäischen Ländern beträgt die Netzspannung 220–240 V; in den USA und Kanada beträgt sie 110 V.

## Pflege und Wartung

- **Richten Sie das Instrument unter keinen Umständen direkt auf die Sonne, andere helle Lichtquellen oder Laserquellen. Es besteht die Gefahr DAUERHAFTER NETZZHAUTSCHÄDEN und ERBLINDUNGSGEFAHR.**
- Treffen Sie geeignete Vorsichtsmaßnahmen, wenn Kinder oder Menschen das Instrument benutzen, die diese Anleitung nicht gelesen bzw. verstanden haben.
- Prüfen Sie nach dem Auspacken Ihres Mikroskops und vor der ersten Verwendung die einzelnen Komponenten und Verbindungen auf ihre Beständigkeit.
- Versuchen Sie nicht, das Instrument eigenmächtig auseinanderzunehmen. Wenden Sie sich für Reparaturen an ein spezialisiertes Servicecenter vor Ort.
- Schützen Sie das Instrument vor plötzlichen Stößen und anderen mechanischen Belastungen. Üben Sie beim Fokussieren keinen übermäßigen Druck aus. Wenden Sie keine übermäßige Kraft auf die Feststellschrauben und Fixierungsschrauben an.
- Berühren Sie die optischen Oberflächen nicht mit den Fingern. Verwenden Sie zur äußerlichen Reinigung des Instruments ausschließlich die speziellen Reinigungstücher und das spezielle Optik-Reinigungszubehör von Levenhuk. Reinigen Sie die Optik nicht mit korrodierenden Flüssigkeiten oder Flüssigkeiten auf Acetonbasis.
- Schleifkörper wie Sandkörner dürfen nicht abgewischt werden. Sie können sie wegblasen oder einen weichen Pinsel verwenden.
- Das Instrument ist nicht für Dauerbetrieb ausgelegt. Lassen Sie das Instrument nicht in direktem Sonnenlicht zurück. Halten Sie das Instrument von Wasser und hoher Feuchtigkeit fern.
- Lassen Sie Sorgfalt bei der Beobachtung walten und setzen Sie nach Abschluss der Beobachtung die Staubabdeckung wieder auf, um das Gerät vor Staub und Verschmutzungen zu schützen.
- Bewahren Sie bei längeren Phasen der Nichtbenutzung die Objektivlinsen und Okulare getrennt vom Mikroskop auf.
- Lagern Sie das Instrument an einem trockenen, kühlen Ort, der frei von Staub, gefährlichen Säuren und anderen Chemikalien ist, und in ausreichendem Abstand zu Heizgeräten, offenem Feuer und anderen Hochtemperaturquellen.
- Setzen Sie das Mikroskop nach Möglichkeit nicht in der Nähe brennbarer Materialien oder Substanzen (Benzen, Papier, Karton, Plastik usw.) ein, da sich der Sockel bei der Verwendung erhitzen kann und dies bei Anwesenheit brennbarer Stoffe ein Brandrisiko darstellt.
- Trennen Sie das Mikroskop immer vom Strom, bevor Sie den Sockel öffnen oder die Beleuchtungslampe austauschen. Lassen Sie sowohl Glühlampen als auch Halogenlampen vor dem Auswechseln zunächst abkühlen, und ersetzen Sie sie stets durch Lampen desselben Typs.
- Verwenden Sie stets eine Stromquelle mit der Spannung, die in den technischen Angaben zu Ihrem Mikroskop spezifiziert ist. Wird das Instrument an eine Steckdose mit abweichender Spannung angeschlossen, ist mit Beschädigung der elektrischen Schaltkreise des Mikroskops, Durchbrennen der Lampe oder sogar Kurzschlüssen zu rechnen.

## Sicherheitshinweise zum Umgang mit Batterien

- Immer die richtige, für den beabsichtigten Einsatz am besten geeignete Batteriegröße und -art erwerben.
- Stets alle Batterien gleichzeitig ersetzen. Alte und neue Batterien oder Batterien verschiedenen Typs nicht mischen.
- Batteriekontakte und Kontakte am Instrument vor Installation der Batterien reinigen.
- Beim Einlegen der Batterien auf korrekte Polung (+ und –) achten.
- Batterien entnehmen, wenn das Instrument für einen längeren Zeitraum nicht benutzt werden soll.
- Verbrauchte Batterien umgehend entnehmen.
- Batterien nicht kurzschließen, um Hitzeentwicklung, Auslaufen oder Explosionen zu vermeiden.
- Batterien dürfen nicht zum Wiederbeleben erwärmt werden.
- Instrumente nach Verwendung ausschalten.
- Batterien für Kinder unzugänglich aufbewahren, um Verschlucken, Ersticken und Vergiftungen zu vermeiden.

## Lebenslange internationale Garantie

Levenhuk garantiert für alle Teleskope, Mikroskope, Ferngläser und anderen optischen Erzeugnisse mit Ausnahme von Zubehör **lebenslanglich** die Freiheit von Material- und Herstellungsfehlern. Die lebenslange Garantie ist eine Garantie, die für die gesamte Lebensdauer des Produkts am Markt gilt. Für Levenhuk-Zubehör gewährleistet Levenhuk die Freiheit von Material- und Herstellungsfehlern innerhalb von **zwei Jahren** ab Kaufdatum. Produkte oder Teile davon, bei denen im Rahmen einer Prüfung durch Levenhuk ein Material- oder Herstellungsfehler festgestellt wird, werden von Levenhuk repariert oder ausgetauscht. Voraussetzung für die Verpflichtung von Levenhuk zu Reparatur oder Austausch eines Produkts ist, dass dieses zusammen mit einem für Levenhuk ausreichenden Kaufbeleg an Levenhuk zurückgesendet wird.

Diese Garantie erstreckt sich nicht auf Verbrauchsmaterialien wie Leuchtmittel (Glühlampen, LEDs, Halogen- und Energiesparlampen u. a.), Batterien (wiederaufladbare Akkus und nicht wiederaufladbare Batterien), elektrisches Verbrauchsmaterial usw.

Weitere Einzelheiten entnehmen Sie bitte unserer Website: [www.levenhuk.de/garantie](http://www.levenhuk.de/garantie)

Bei Problemen mit der Garantie, oder wenn Sie Unterstützung bei der Verwendung Ihres Produkts benötigen, wenden Sie sich an die lokale Levenhuk-Niederlassung.

## Información general

Lea detenidamente el manual del usuario antes de comenzar a trabajar con un microscopio. Los microscopios biológicos de la Levenhuk D80L LCD y D90L LCD son seguros para el consumidor y el medio ambiente cuando se usan debidamente, y cumplen los requisitos de las normas internacionales. Estos microscopios están diseñados para observar objetos transparentes con luz transmitida mediante la técnica de campo claro. Tienen un buen rendimiento en investigación clínica y pruebas; demostraciones de enseñanza; bacteriología y citología en establecimientos médicos y de salud, laboratorios, universidades y escuelas; y puede ser utilizado para investigación científica en agricultura y microbiología.

## Montaje del microscopio

- Desempaquete el microscopio con cuidado y colóquelo sobre una superficie plana.
- Retire las bolsas de plástico y la cubierta contra el polvo del cabezal.
- Instale el cabezal pantalla LCD y apriete el tornillo de bloqueo.
- Examine todos los artículos incluidos en el kit y determine su función.
- D90L LCD: Conecte el cable de alimentación al microscopio y a la toma de corriente.
- D80L LCD: Abra el compartimento para baterías y coloque las baterías siguiendo las indicaciones de polaridad. Seguidamente cierre el compartimento para baterías y encienda el microscopio. Antes de usar el microscopio, es necesario cargar las baterías: inserte las baterías en el compartimento para pilas observando la polaridad) y conecte el microscopio a la red eléctrica utilizando el adaptador de corriente.

## Utilización

Consulte la fig. 1a (Levenhuk D80L LCD) y la fig. 1b (Levenhuk D90L LCD).

- Encienda la alimentación y la iluminación se encenderá. Establezca el brillo en aproximadamente el 70%. Coloque la muestra en la platina. Asegúrese de que las pinzas sostengan la muestra firmemente en su lugar.
- D80L LCD: Ajuste la altura de la platina girando el tornillo de bloqueo.
- D90L LCD: El diafragma iris se debe ajustar de acuerdo con la apertura numérica de la lente seleccionada. La práctica recomendada es hacer que la apertura del diafragma iris sea un poco más pequeña que la apertura de la lente seleccionada. Abra o cierre el diafragma iris con los tornillos de ajuste. Si el tornillo de ajuste está girado hacia la derecha, el diafragma iris está completamente abierto. **Nota:** el diafragma no está diseñado para ajustar el brillo de la iluminación. Para ajustar el brillo, utilice el mando de ajuste del brillo.
- D90L LCD: Deslice el soporte de filtro, coloque el filtro en él y luego devuelva el soporte a su posición inicial.
- D80L LCD: Gire el disco del diafragma hasta que el rayo de luz que pasa se reduzca a un nivel de brillo cómodo. Si la imagen es demasiado oscura, seleccione una apertura más grande para aumentar el rayo de luz.
- Para cambiar el factor de ampliación del objetivo, gire el revólver giratorio hasta que quede encajado.
- Tenga cuidado de que la lente no toque la muestra cuando ajuste el enfoque: gire el mando de enfoque aproximado hasta que la muestra esté a unos 3,175 mm de distancia de la lente.
- Gire el mando de enfoque preciso para que imagen sea nítida. El mecanismo de enfoque preciso le permite enfocar en la muestra observada cuando utiliza grandes aumentos.
- D90L LCD: Cuando utiliza un objetivo de inmersión en aceite, el espacio entre la muestra y la lente se debe llenar con aceite de inmersión. Coloque el condensador en la posición alta y coloque una gota de aceite en la lente y en el cubreobjetos de la muestra. Mueva el revólver giratorio hacia adelante y hacia atrás para eliminar las burbujas de aire presentes en el aceite. Luego, fije la lente objetivo en su posición de trabajo. Asegúrese de que el aceite llene todo el espacio entre la lente objetivo y la muestra. Después de su uso, seque la lente.
- Para ajustar la posición de la escala mecánica (solo D90L LCD), gire el botón de enfoque aproximado en el sentido de las agujas del reloj para fijar la posición de la escala mecánica, o en el sentido contrario a las agujas del reloj para aflojarla.
- D90L LCD: Para colocar la muestra en el campo de visión, mueva la platina horizontalmente hacia adelante y hacia atrás o hacia la izquierda y hacia la derecha con el mando de movimiento de la platina.
- Mientras mira el monitor, use los mandos de enfoque para ajustar la nitidez de la imagen.

## Pantalla LCD

El Levenhuk D80L LCD y D90L LCD viene con una pantalla LCD (fig. 2). Conecte el cable de alimentación al conector de alimentación en la pantalla LCD y conéctelo a la red. Inserte la tarjeta SD (incluida) en la ranura SD para ver la imagen y guardar las fotos y vídeos resultantes. A continuación encienda la pantalla LCD con el botón de encendido/apagado manteniéndolo pulsado sosteniéndolo durante 3 segundos.

### Aumento digital

Durante las observaciones, presione el botón «UP» (ARRIBA) para agrandar la imagen y el botón «DOWN» (ABAJO) para reducir la imagen.

### Foto

Pulse el botón «Capture» (Capturar) en el panel de control para tomar una foto.

### Vídeo

1. Pulse el botón «Video» (Vídeo) para entrar en el modo de grabación de vídeo.
2. Pulse el botón «Capture» (Capturar) para comenzar a grabar un vídeo.

3. Pulse el botón «Capture» (Capturar) nuevamente para detener la grabación Vídeo.

#### **Ver fotos y vídeos**

1. Inserte la tarjeta SD en la ranura SD.
2. Pulse el botón «Video» (Vídeo) dos veces para activar el modo de visualización.
3. Pulse los botones «Right» (Derecha) e «Left» (Izquierda) para ver las imágenes y vídeos. Pulse el botón «Capture» (Capturar) para comenzar a reproducir el vídeo.

#### **Guardar fotos y vídeos en un ordenador**

1. Inserte la tarjeta SD en la ranura SD.
2. Use el cable USB para conectar el microscopio al ordenador. Ahora ya puede transferir las fotos y vídeos a un ordenador.

#### **Ver en un ordenador (solo Windows 7 y versiones inferiores)**

1. Instale el software controlador **SENSor** en el ordenador (incluido). Se mostrará el icono **CamApp** en el escritorio cuando termine la instalación del software.
2. Use el botón «Power on/off» (Encendido/Apagado) para apagar la pantalla LCD.
3. Use el cable USB para conectar la pantalla LCD al ordenador.
4. Mantenga pulsado el botón «Photo» (Foto) hasta que aparezca **PC CAM** en la pantalla LCD. A continuación la instalación del controlador comenzará automáticamente.
5. Cuando finalice la instalación, haga clic en el icono **CamApp** en el escritorio de su ordenador para comenzar a ver.

#### **Conexión a un TV/monitor con conector AV**

1. Use un cable AV (no incluido) para conectar la pantalla LCD al ordenador.
2. Pulse el botón «Setup» (Configuración).
3. Seleccione el elemento de menú TV OUT.
4. Seleccione el modo de TV (NTSC/PAL).
5. Ahora puede comenzar a ver en la pantalla.

#### **Configuración**

Pulse el botón «Setup» (Configuración) para ir al menú de configuración de la pantalla LCD. Use los botones de control para seleccionar los parámetros requeridos. Pulse el botón «Setup» (Configuración) nuevamente para guardar los parámetros seleccionados.

Mantenga pulsado el botón «Power on/off» (Encendido/Apagado) durante 3 segundos para apagar la pantalla LCD.

#### **Reemplazo de fusibles (Levenhuk D90L LCD)**

Desenchufe el microscopio de la fuente de alimentación. Abra el portafusibles ubicado en la parte posterior del cuerpo del microscopio con un destornillador de cabeza plana. Retire el fusible antiguo e instale uno nuevo. Utilice solo los tipos apropiados de fusibles. Cierre el portafusibles.

## Especificaciones

ID de producto	75433	75434
Modelo	Levenhuk D80L LCD	Levenhuk D90L LCD
Tipo	biológico/óptico	
Método de observación	campo claro	
Ampliación:	60x, 150x, 600x	60x, 150x, 600x, 1500x
Cabezal	pantalla LCD a color de 5,6"	
Material de la óptica	vidrio óptico	
Objetivos	acromático: 4x, 10x, 40xs	acromático: 4x, 10x, 40xs, 100xs (inmersión en aceite)
Revólver giratorio	3 objetivos	4 objetivos
Rango de desplazamiento de la platina	—	70/30 mm
Platina	90x90 mm, con portamuestras	mecánica, de doble capa, 110x126 mm, con micrómetro mecánico
Sistema de enfoque	coaxial, aproximado (15 mm) y preciso (0,002 mm)	
Condensador	0,65 con diafragma iris y soporte de filtro (6 aperturas)	Abbe N.A. 1,25 con diafragma iris y soporte de filtro
Cuerpo	metal	
Iluminación	superior e inferior (LED de 0,2 W) con ajuste del brillo	inferior (LED de 1 W) con ajuste del brillo
Lente colectora	+	+
Filtros	—	azul
Tubo de aceite de inmersión	—	+
Fusible	—	+
Fuente de alimentación	3 baterías AA o 110–220V, a través del adaptador de CA	110–220 V, via AC adapter
Cámara digital	2 Mpx	
Fuente de alimentación de la cámara	5 V 1 A mediante adaptador de CA	

## Especificaciones de la pantalla LCD

Resolución máx. (imágenes fijas)	1600x1200 px
Megapíxeles	2
Sensor	1/3
Lugar de montaje	brazo del microscopio
Tamaño de píxel	2,8 µm
Sensibilidad	1,0 V/lux.sec@550 nm
Rango espectral	400–950 nm
Formato de imagen	*.jpg
Formato de vídeo	*.avi
Balance de blancos	automático
Control de exposición	automático
Salida	ranura SD salida AV miniUSB: salida a PC DC: carga de la batería
Fuente de alimentación de la cámara	5 V 1 A mediante adaptador de CA
Sistema operativo	Windows 7 y versiones anteriores

Levenhuk se reserva el derecho a modificar o descatalogar cualquier producto sin previo aviso.



**Advertencia!** Consulte en la tabla de especificaciones cuál es la tensión de alimentación adecuada para este instrumento y no intente nunca conectar un aparato de 220 V en un enchufe de 110 V o viceversa sin utilizar un convertidor. Recuerde que la tensión de red en la mayor parte de los países europeos es 220–240 V mientras que en los EUA y Canadá es 110 V.

## Cuidado y mantenimiento

- **Nunca, bajo ninguna circunstancia, mire directamente al sol, a otra fuente de luz intensa o a un láser a través de este instrumento, ya que esto podría causar DAÑO PERMANENTE EN LA RETINA y CEGUERA.**
- Tome las precauciones necesarias si utiliza este instrumento acompañado de niños o de otras personas que no hayan leído o que no comprendan totalmente estas instrucciones.
- Tras desembalar el microscopio y antes de utilizarlo por primera vez, compruebe el estado y la durabilidad de cada componente y cada conexión.
- No intente desmontar el instrumento usted mismo bajo ningún concepto, ni siquiera para limpiar el espejo. Si necesita repararlo o limpiarlo, contacte con el servicio técnico especializado que corresponda a su zona.
- Proteja el instrumento de impactos súbitos y de fuerza mecánica excesiva. No aplique una presión excesiva al ajustar el foco. No apriete demasiado los tornillos de bloqueo.
- No toque las superficies ópticas con los dedos. Para limpiar el exterior del instrumento, utilice únicamente los paños y herramientas de limpieza especiales de Levenhuk. No limpie las superficies ópticas con fluidos corrosivos ni a base de acetonas.
- No limpie las partículas abrasivas, como por ejemplo arena, con un paño. Únicamente soplelas o bien pase un cepillo blando.
- No utilice este dispositivo durante períodos largos de tiempo ni lo deje sin atender bajo la luz directa del sol. Protéjalo del agua y la alta humedad.
- Tenga cuidado durante las observaciones y cuando termine recuerde volver a colocar la cubierta para proteger el dispositivo del polvo y las manchas.
- Si no va a utilizar el microscopio durante periodos largos de tiempo, guarde las lentes del objetivo y los oculares por separado del microscopio.
- Guarde el instrumento en un lugar seco y fresco, alejado de ácidos peligrosos y otros productos químicos, radiadores, de fuego y de otras fuentes de altas temperaturas.
- Cuando uses el microscopio intenta no hacerlo cerca de materiales o sustancias inflamables (benceno, papel, cartón, plástico, etc.) ya que la base puede calentarse con el uso y suponer un riesgo de incendio.
- Desconecta siempre el microscopio de la fuente de alimentación antes de abrir la base o cambiar la bombilla. Independientemente del tipo de lámpara (halógena o incandescente), dale tiempo de enfriarse antes de cambiarla y sustitúyela siempre por otra del mismo tipo.
- Utiliza siempre una fuente de alimentación con el voltaje apropiado, el indicado en las especificaciones de tu nuevo microscopio. Si conectas el instrumento a un enchufe distinto podrías dañar el circuito eléctrico, fundir la lámpara o incluso provocar un cortocircuito.
- **En el caso de que alguien se trague una pieza pequeña o una pila, busque ayuda médica inmediatamente.**

## Instrucciones de seguridad para las pilas

- Compre siempre las pilas del tamaño y grado indicado para el uso previsto.
- Reemplace siempre todas las pilas al mismo tiempo. No mezcle pilas viejas y nuevas, ni pilas de diferentes tipos.
- Limpie los contactos de las pilas y del instrumento antes de instalarlas.
- Asegúrese de instalar las pilas correctamente según su polaridad (+ y –).
- Quite las pilas si no va a utilizar el instrumento durante un periodo largo de tiempo.
- Retire lo antes posible las pilas agotadas.
- No cortocircuite nunca las pilas ya que podría aumentar su temperatura y podría provocar fugas o una explosión.
- Nunca caliente las pilas para intentar reavivarlas.
- Recuerde apagar el instrumento después de usarlo.
- Mantenga las pilas fuera del alcance de los niños para eliminar el riesgo de ingestión, asfixia o envenenamiento.

## Garantía internacional de por vida Levenhuk

Todos los telescopios, microscopios, prismáticos y otros productos ópticos de Levenhuk, excepto los accesorios, cuentan con una **garantía de por vida** contra defectos de material y de mano de obra. La garantía de por vida es una garantía a lo largo de la vida del producto en el mercado. Todos los accesorios Levenhuk están garantizados contra defectos de material y de mano de obra durante **dos años** a partir de la fecha de compra en el minorista. Levenhuk reparará o reemplazará cualquier producto o pieza que, una vez inspeccionada por Levenhuk, se determine que tiene defectos de materiales o de mano de obra. Para que Levenhuk pueda reparar o reemplazar estos productos, deben devolverse a Levenhuk junto con una prueba de compra que Levenhuk considere satisfactoria.

Esta garantía no cubre productos consumibles como bombillas (eléctricas, LED, halógenas, de bajo consumo y otros tipos de lámparas), pilas (recargables y no recargables), consumibles eléctricos, etc.

Para más detalles visite nuestra página web: [www.levenhuk.es/garantia](http://www.levenhuk.es/garantia)

En caso de problemas con la garantía o si necesita ayuda en el uso de su producto, contacte con su oficina de Levenhuk más cercana.



## Általános Információk

Figyelmesen olvassa el a felhasználói kézikönyvet, mielőtt dolgozni kezdene a mikroszkóppal. A Levenhuk D80L LCD és D90L LCD biológiai mikroszkópok normál használat esetén a vásárló egészségére, életére, tulajdonára és a környezetre nem ártalmasak, továbbá megfelelnek a nemzetközi szabványoknak. A mikroszkópokat áteső fényben történő, világos látóterű módszert használó megfigyelésre tervezték. Jól teljesítenek klinikai kutatásban és vizsgálatokban; oktatási bemutatókban; orvosi és egészségügyi intézményekben, laboratóriumokban, egyetemeken, iskolákban; mezőgazdaságban és mikrobiológiában tudományos kutatáshoz használhatók.

## A mikroszkóp összeszerelése

- Óvatosan csomagolja ki a mikroszkópot és helyezze egyenes felületre.
- Távolítsa el a műanyag zacskókat és a szemlencse fejrészről a porvédő fedelet.
- Szerelje fel az LCD-kijelzőt és húzza meg a szorítócsavart.
- Vizsgáljon meg a készletben mindent, határozza meg mire való.
- D90L LCD: csatlakoztassa a tápkábelt a mikroszkóphoz és dugja be.
- D80L LCD: nyissa ki az elemtartó rekeszt, helyezze be az elemeket a rekeszben látható jelzésnek megfelelő polaritással, helyezze vissza az elemtartó rekesz fedelét és kapcsolja be a mikroszkópot. A mikroszkóp használata előtt fel kell tölteni az elemeket: helyezze be az elemeket az elemtartó rekeszbe (figyeljen a pólusokra) és csatlakoztassa a mikroszkópot a hálózatra a tápadapteren keresztül.

## Használat

Lásd az 1a (Levenhuk D80L LCD) és az 1b (Levenhuk D90L LCD) ábrát.

- Kapcsolja be az áramot és a világítás működni kezd. Mintegy 70%-ra állítsa be a fényerőt. Helyezze a mintát a tárgyasztalra. Figyeljen, hogy a szorítók stabilan tartsák a helyükön a mintát.
- D80L LCD: állítsa a tárgyasztal magasságát a rögzítőcsavar forgatásával.
- D90L LCD: az írisz fényrekeszt a lencse f számának megfelelően kell beállítani. A gyakorlat azt mutatja, hogy legjobb az írisz fényrekeszt kissé kisebbre állítani a kiválasztott lencse rekesznyílásánál. Nyissa ki vagy zárja be az írisz diafragmát az állítócsavarokkal. Az írisz fényrekesz teljesen nyitva van, ha jobbra fordítják el az állítócsavart. **Megjegyzés:** a fényrekesznek nem célja a megvilágítás fényerejének állítása. A fényerő állításához a fényerősség állítógombot használja.
- D90L LCD: csúsztassa ki a szűrőtartót, tegye bele a szűrőt, majd vigye vissza a tartót az eredeti helyzetébe.
- D80L LCD: forgassa a diafragmalemezt míg az áthaladó fénysugarat kényelmes fényerejűvé nem csökkenti. Ha a kép túl sötét, akkor válasszon nagyobb rekesznyílást a fénysugár növeléséhez.
- Az objektív nagyításának módosításához fordítsa el kattanásig a revolverfejet.
- Figyeljen a fókusz beállításakor, hogy a lencse ne érjen a mintához: forgassa a durva-fókuszállító gombot, hogy a minta körülbelül 3,175 mm (1/8") távolságra legyen a lencsétől.
- A finom-fókuszállító gomb forgatásával állítsa élesre a képet. A finom fókuszáló szerkezet nagy nagyítás mellett teszi lehetővé a vizsgált mintára fókuszálást.
- D90L LCD: olajimmerziós objektív használatkor a minta és a lencse közötti tért immerziós olaj tölti ki. Emelje a felső helyzetbe a kondenzort és tegyen az objektívre és a mintát fedő üvegre egy csepp olajat. Mozgassa a revolverfejet előre és hátra, hogy eltávolítsa az olajban lévő levegőbuborékokat. Ezután rögzítse a tárgylencsét a munkapozíciójában. Győződjön meg arról, hogy az olaj kitölti-e a tárgylencse és a minta közötti teljes teret. Használat után törölje szárazra az objektívet.
- A mechanikus skála helyzetének módosításához (csak D90L LCD) a durva-fókuszállító gombot az óra mutató járásával megegyező irányba forgassa, ha rögzíteni szeretné a mechanikus skálát, vagy azzal ellentétesen, ha ki szeretné lazítani.
- D90L LCD: hozza be a mintát a látómezőbe úgy, hogy a tárgyasztalt vízszintesen előre-hátra vagy jobbra-balra mozgatja a tárgyasztal mozgó gombbal
- Monitorral való munkavégzéskor használja a fókuszgombot a kép élességének állításához.

## LCD-kijelző

Levenhuk D80L LCD és D90L LCD mikroszkóphoz LCD-kijelző tartozik (2 ábra). Csatlakoztassa a tápkábelt az LCD-kijelző áramcsatlakozójába, majd a hálózatra. Illessze be az SD-kártyát (mellékelve) az SD-helyre, hogy a kép megtekintése után elmenthesse a kapott fényképeket és videókat. Utána kapcsolja be az LCD-kijelzőt a ki-/bekapcsoló gomb 3 másodperces benyomásával.

### Digitális nagyítás

Megfigyelés közben a kép nagyítható a „UP” (FEL) gomb megnyomásával és kicsinyíthető a „DOWN” (LE) gomb megnyomásával.

### Fénykép

Fényképet a vezérlőpulton a „Capture” (Felvétel) gomb megnyomásával készíthet.

### Videó

1. A „Video” (Videó) gomb megnyomásával beléphet a videofelvételi módba.
2. A videofelvétel elindításához nyomja meg a „Capture” (Felvétel) gombot.
3. A videofelvétel leállításához nyomja meg újra a „Capture” (Felvétel) gombot.

### Képek és videók megtekintése

1. Helyezze be a SD kártyát az SD-helyre.

2. A „Video” (Videó) gomb kétszeri megnyomásával lépjen be a megtekintő módba.
3. A „Right” (Jobb) és „Left” (Bal) gombok megnyomásával megtekintheti a képeket és videókat. A videofelvétel lejátszásához nyomja meg a „Capture” (Felvétel) gombot.

#### **Fényképek és videók elmentése számítógépre**

1. Helyezze be a SD kártyát az SD-helyre.
2. Az USB-kábel segítségével csatlakoztassa a mikroszkópot a számítógépre. Ekkor átküldheti a képeket és videókat a számítógépre.

#### **Megtekintés számítógépen (csak Windows 7 és korábbiak)**

1. Telepítse a **SENSor driver** szoftvert a számítógépre (mellékeljük). A szoftver telepítése után az asztalon megjelenik a **CamApp** ikon.
2. A „ki-/bekapcsoló” gombbal kapcsolja ki az LCD-kijelzőt.
3. Az USB-kábel segítségével csatlakoztassa az LCD-kijelzőt a számítógépre.
4. Nyomja meg a „Photo” (Fénykép) gombot, amíg a **PC CAM** meg nem jelenik az LCD-kijelzőn. Utána magától elindul a meghajtó telepítése.
5. Amikor a telepítés befejeződött, a számítógép asztalon levő **CamApp** ikonra kattintva indíthatja a megtekintést.

#### **Csatlakoztatás Tv-hez/monitorhoz AV csatlakozóval**

1. AV-kábel segítségével (nem része a csomagnak) csatlakoztassa az LCD-kijelzőt a TV-re vagy monitorra.
2. Nyomja meg a „Setup” (Beállítás) gombot.
3. Válassza a menüből a TV OUT pontot.
4. Válassza ki a TV módot (NTSC/PAL).
5. Ekkor megkezdheti a megtekintést a képernyőn.

#### **Beállítások**

„Setup” (Beállítás) gomb megnyomásával menjen az LCD-kijelzőn a beállítások menübe. Az irányító gombokkal válassza ki a megfelelő paramétereket. „Setup” (Beállítás) gomb újbóli megnyomásával mentse el a kijelölt paramétereket.

Az LCD-kijelző kikapcsolásához nyomja be 3 másodpercig a „ki-/bekapcsoló” gombot.

#### **Biztosító csere (Levenhuk D90L LCD)**

Húzza ki a mikroszkópot a tápellátásról. Csavarhúzóval nyissa ki a mikroszkóp váz hátoldalán az olvadó biztosító csavaros kupakját. Vegye ki a régi biztosítót és tegyen be újat. Csakis megfelelő típusú biztosítót használjon. Zárja rá a biztosító kupakot.

## Műszaki adatok

Termékazonosító	75433	75434
Modell	Levenhuk D80L LCD	Levenhuk D90L LCD
Típus	biológiai/optikai	
Vizsgálati módszer	világos látótér	
Nagyítás	60x, 150x, 600x	60x, 150x, 600x, 1500x
Szemlencse fejrész	5,6"-os színes LCD-kijelző	
Optika anyaga	optikai üveg	
Objektívek	akromatikus: 4x, 10x, 40xs	akromatikus: 4x, 10x, 40xs, 100xs (olaj)
Revolverfej	3 objektív	4 objektív
Tárgyasztal elmozdulási tartomány	–	70/30 mm
Tárgyasztal	90x90 mm, minta tartókkal	kétrétegű mechanikus, 110x126 mm, mechanikus skálával
Élességállítási (más néven: fókuszálási) rendszer	koaxiális, durva (15 mm) és finom (0,002 mm)	
Kondenzor	0,65 írisz diafragma és szűrőtartó (6 rekesznyílás)	Abbe N.A. 1,25 írisz diafragma és szűrőtartó
Váz	metal	
Megvilágítás	felső és alsó (0,2 W LED) fényerő-szabályozással	alsó (1 W LED) fényerő-szabályozással
Kollektor	+	+
Szűrők	–	kék
Fiolányi immerziós olaj	–	+
Biztosító	–	+
Tápellátás	3 AA elem vagy 110–220 V, AC tápadapterről	110–220 V, AC tápadapterről
Digitális kamera	2 Mpx	
Kamera tápellátás	5 V/1 A AC adapteren keresztül	

## LCD-kijelző műszaki adatok

Max. felbontás (állókép)	1600x1200 px
Megapixel	2
Érzékelő	1/3
Felszerelési hely	mikroszkóp kar
Képpont méret	2,8 µm
Érzékenység	1,0 V/lux.sec@550 nm
Színképtartomány	400–950 nm
Képformátum	*.jpg
Videó formátum	*.avi
Fehéregyensúly	auto
Felvétel vezérlés	auto
Kimenet	SD-hely AV kimenet miniUSB: kimenet számítógéphez DC: akkumulátor töltés
Kamera tápellátás	5 V/1 A AC adapteren keresztül
Operációs rendszer	Windows 7 és korábbi rendszerek

A Levenhuk vállalat fenntartja a jogot, hogy bármely termékét előzetes értesítés nélkül módosítsa vagy kivonja a forgalomból.



**Vigyázat!** Kérjük, a megfelelő feszültséggel kapcsolatban nézze meg a műszaki leírást, és soha ne próbálja meg a 110 V-os eszközt 220 V-os aljzathoz csatlakoztatni (és fordítva) átalakító használata nélkül. Ne feledje, hogy az Egyesült Államokban és Kanadában a hálózati feszültség 110 V, míg a legtöbb európai országban 220–240 V.

## Ápolás és karbantartás

- Ennek az eszköznek a használatával soha, semmilyen körülmények között ne nézzen közvetlenül a Napba, vagy egyéb, nagyon erős fényforrásba vagy lézersugárba, mert ez **MARADANDÓ KÁROSODÁST OKOZ A RETINÁJÁBAN ÉS MEG IS VAKULHAT**.
- Legyen kellően óvatos, ha gyermekekkel vagy olyan személyekkel együtt használja az eszközt, akik nem olvasták vagy nem teljesen értették meg az előbbiekből felsorolt utasításokat.
- A mikroszkóp kicsomagolása után, de még annak legelső használata előtt ellenőrizze az alkatrészek és csatlakozások sérülésmentes állapotát és tartósságát.
- Bármilyen legyen is az ok, semmiképpen ne kísérelje meg szétszerelni az eszközt. Ha javításra vagy tisztításra szorul az eszköz, akkor keresse fel az erre a célra specializálódott helyi szolgáltatóközpontot.
- Óvja az eszközt a hirtelen behatásoktól és a hosszabb ideig tartó mechanikai erőktől. Ne használjon túlzott erőt a fókuszbéállításánál. Ne húzza túl a szorítócsavarokat.
- Az optikai elemek felületéhez soha ne érjen az ujjaiával. Az eszköz külső megtisztításához használja a Levenhuk által erre a célra gyártott tisztítókendőt és optikai tisztító eszközöket. Az optikai elemek tisztításához ne használjon maró hatású vagy acetonnal alapú folyadékokat.
- A kopató hatású részecskéket, például a homokot ne törlessel, hanem fújással vagy puha ecsettel távolítsa el a lencséről.
- Ne használja az eszközt hosszú időtartamon keresztül a tűző napon, vagy ne hagyja ott felügyelet nélkül. Tartsa az eszközt víztől és magas páratartalomtól védett helyen.
- Legyen körültekintő a megfigyelések során, mindig helyezze vissza a porvédőt a megfigyelés befejeztével, így megóvhatja az eszközt a portól és a szennyeződésektől.
- Ha a mikroszkóp hosszabb ideig használaton kívül van, akkor a mikroszkóptól elkülönítetten tárolja az objektívlencsét és a szemlencsét.
- Száraz, hűvös helyen tárolja az eszközt, veszélyes savaktól és egyéb kémiai anyagoktól elkülönítetten, hőszigeteltől, nyílt lángtól és egyéb, magas hőmérsékletet leadni képes forrásoktól távol.
- Lehetőség szerint ne használja a mikroszkópot gyúlékony anyagok közelében (benzol, papír, kartonlap, műanyag, stb.), mivel a megfigyelés során a mikroszkóp talpazata felmelegedhet és így tűzveszélyessé válhat. A talpazat kinyitása vagy a megvilágítást biztosító izzó kicserélése előtt minden esetben áramtalanítsa a mikroszkópot. Csere előtt az izzó típusától függetlenül (halogén vagy hagyományos) minden esetben várja meg, amíg az izzó lehűl, és mindig ugyanolyan típusú izzót használjon.
- A tápellátást mindig a megfelelő hálózati feszültségi szint mellett használja, azaz kövesse az újonnan vásárolt mikroszkópjának műszaki leírását. Az eszköznek a leírástól eltérő típusú aljzathoz történő csatlakoztatása tönkretelheti a mikroszkóp áramkörét, kiéghet az izzó vagy akár rövidzárlatot is okozhat ezzel.
- **Azonnal forduljon orvoshoz, amennyiben bárki lenyelt egy kis alkatrészt vagy elemet.**

## Az elemekkel kapcsolatos biztonsági intézkedések

- Mindig a felhasználásnak legmegfelelőbb méretű és fokozatú elemet vásárolja meg.
- Elemcsere során mindig az összes elemet egyszerre cserélje ki; ne keverje a régi elemeket a frissekkel, valamint a különböző típusú elemeket se keverje egymással össze.
- Az elemek behelyezése előtt tisztítsa meg az elemek és az eszköz egymással érintkező részeit.
- Győződjön meg róla, hogy az elemek a pólusokat tekintve is helyesen kerülnek az eszközbe (+ és –).
- Amennyiben az eszközt hosszabb ideig nem használja, akkor távolítsa el az elemeket.
- A lemerült elemeket azonnal távolítsa el.
- Soha ne zárja rövidre az elemeket, mivel így azok erősen felmelegedhetnek, szivárogni kezhetnek vagy felrobbanhatnak.
- Az elemek élettartamának megnöveléséhez soha ne kísérelje meg felmelegíteni azokat.
- Használat után ne felejtse el kikapcsolni az eszközt.
- Az elemeket tartsa gyermekektől távol, megelőzve ezzel a lenyelés, fulladás és mérgezés veszélyét.

## A Levenhuk nemzetközi, élettartamra szóló szavatossága

A Levenhuk vállalat a kiegészítők kivételével az összes Levenhuk gyártmányú teleszkóphoz, mikroszkóphoz, kétszemes távcsőhöz és egyéb optikai termékhez **élettartamra** szóló szavatosságot nyújt az anyaghibák és/vagy a gyártási hibák vonatkozásában. Az élettartamra szóló szavatosság a termék piaci forgalmazási időszakának a végéig érvényes. A Levenhuk-kiegészítőkhöz a Levenhuk-vállalat a kiskereskedelmi vásárlás napjától számított **két évig** érvényes szavatosságot nyújt az anyaghibák és/vagy a gyártási hibák vonatkozásában. A Levenhuk vállalat vállalja, hogy a Levenhuk vállalat általi megvizsgálás során anyaghibásnak és/vagy gyártási hibásnak talált terméket vagy termékalkatrészt megjavítja vagy kicseréli. A Levenhuk vállalat csak abban az esetben köteles megjavítani vagy kicserélni az ilyen terméket vagy termékalkatrészt, ha azt a Levenhuk vállalat számára elfogadható vásárlási bizonylattal együtt visszaküldi a Levenhuk vállalat felé. Ez a szavatosság nem vonatkozik a fogyóeszközökre, például az izzólámpákra (függetlenül attól, hogy azok hagyományos elektromos izzók, LED-es izzók, halogén izzók, energiatakarékos izzók vagy más típusú izzók-e), az elemekre (beleértve a nem tölthető elemeket és a tölthető akkumulátorokat is), az elektromos fogyóeszközökre stb.

További részletekért látogasson el weboldalunkra: [www.levenhuk.hu/garancia](http://www.levenhuk.hu/garancia)

Amennyiben garanciális probléma lépne fel vagy további segítségre van szüksége a termék használatát illetően, akkor vegye fel a kapcsolatot a helyi Levenhuk üzlettel.

## Informazioni generali

Leggere attentamente il manuale utente prima di iniziare a usare il microscopio. I microscopi biologici della Levenhuk D80L LCD e D90L LCD sono sicuri per la salute e la tutela del consumatore e dell'ambiente quando usati nel modo appropriato e rispettano tutti i requisiti degli standard internazionali. Questi microscopi sono progettati per l'osservazione di campioni trasparenti in luce trasmessa con metodo a campo chiaro. Mostrano buone prestazioni nella ricerca clinica e nei test, per le dimostrazioni didattiche, la batterioscopia e l'osservazione di preparati cellulari in ambiente medico e ospedaliero, in laboratori, università e scuole; è possibile utilizzarli anche per la ricerca scientifica per le scienze agrarie e la microbiologia.

## Montaggio del microscopio

- Estrarre il microscopio dalla confezione e posizionarlo con attenzione su una superficie piana.
- Rimuovere i sacchetti di plastica e la copertura antipolvere dalla testata oculare.
- Installare la testata schermo LCD e stringere la vite di fissaggio.
- Ispezionare tutti gli elementi compresi nel kit per comprenderne la funzione.
- D90L LCD: collegare il cavo di alimentazione al microscopio e inserirlo in una presa di corrente.
- D80L LCD: aprire lo scomparto delle batterie e inserire le batterie secondo la polarità indicata sulla superficie interna dello scomparto, riposizionare lo sportello dello scomparto e accendere il microscopio. Prima di usare il microscopio è necessario caricare le batterie: inserire le batterie nell'opportuno scomparto (prestare attenzione alla polarità) e connettere il microscopio alla rete elettrica tramite l'adattatore.

## Uso

Si faccia riferimento alla fig. 1a (Levenhuk D80L LCD) e alla fig. 1d (Levenhuk D90L LCD).

- Premere l'interruttore e accendere l'illuminazione. Impostare la luminosità al 70% circa. Posizionare il campione sul tavolino. Assicurarsi che le mollette tengano saldamente fermo il campione.
- D80L LCD: regolare l'altezza del tavolino ruotando la vite di fissaggio.
- D90L LCD: il diaframma a iride va regolato secondo l'apertura numerica della lente. Si consiglia di rendere il diaframma a iride leggermente più piccolo rispetto all'apertura della lente scelta. Aprire o chiudere il diaframma a iride usando la leva di regolazione. Se la leva di regolazione è tutta a destra, il diaframma a iride è completamente aperto. Nota: il diaframma non è pensato per la regolazione della luminosità. Per regolare la luminosità, utilizzare l'apposita manopola.
- D90L LCD: far scorrere il portafiltro, posizionare il filtro all'interno e riportare il supporto nella posizione iniziale.
- D80L LCD: ruotare il disco del diaframma finché la luce che vi passa attraverso non sarà dell'intensità desiderata. Se l'immagine è troppo scura, selezionare un'apertura più ampia per aumentare la luminosità.
- Per variare l'ingrandimento dell'obiettivo, ruotare il revolver portaobiettivi fino a sentire un clic.
- Assicurarsi che la lente non vada a toccare il campione durante la messa a fuoco: ruotare la manopola di regolazione grossolana finché il campione non è a circa 3,175 mm (1/8") dalla lente.
- Ruotare la manopola di messa a fuoco fine per rendere l'immagine più nitida. Il meccanismo di messa a fuoco fine consente di focalizzare il campione osservato anche ad alto ingrandimento.
- D90L LCD: quando si usa un obiettivo a immersione in olio, lo spazio tra il campione e la lente deve essere riempito con olio da immersione. Sollevare il condensatore il più in alto possibile e posizionare una goccia di olio sulla lente e sul coprivetro del campione. Spostare il revolver portaobiettivi avanti e indietro per eliminare le bolle d'aria nell'olio. Quindi, fissare la lente obiettivo in posizione di lavoro. Assicurarsi che l'olio riempia tutto lo spazio tra la lente obiettivo e il campione. Asciugare la lente dopo l'uso.
- Per regolare la posizione del traslatore meccanico (solo D90L LCD), ruotare la manopola di messa a fuoco grossolana in senso orario per bloccare la posizione del traslatore, in senso antiorario per sbloccarla.
- D90L LCD: per posizionare il campione nel campo visivo, muovere il tavolino traslatore orizzontalmente avanti e indietro o a sinistra e a destra usando le opportune manopole
- Osservando tramite il monitor, utilizzare le manopole della messa a fuoco per regolare la nitidezza dell'immagine.

## Schermo LCD

Il Levenhuk D80L LCD e D90L LCD è dotato di schermo LCD (fig. 2). Connettere il cavo di alimentazione alla presa di alimentazione sullo schermo LCD e quindi collegarlo alla rete elettrica. Inserire la scheda SD (inclusa) nello slot SD per visualizzare l'immagine e salvare le foto e i video prodotti. Quindi, spegnere lo schermo LCD tenendo premuto l'interruttore on/off per 3 secondi.

### Ingrandimento digitale

Durante le osservazioni, premere il pulsante "UP" (SU) per ingrandire l'immagine e "DOWN" (GIÙ) per rimpicciolirla.

### Foto

Premere il pulsante "Capture" (Cattura) sul pannello di controllo per scattare una foto.

### Video

1. Premere il pulsante "Video" per entrare nella modalità di registrazione video.
2. Premere il pulsante "Capture" (Cattura) per iniziare a registrare un video.
3. Premere nuovamente il pulsante "Capture" (Cattura) per fermare la registrazione del video.

### Visualizzare foto e video

1. Inserire la scheda SD nell'apposito slot.
2. Premere due volte il pulsante "Video" per passare alla modalità di visualizzazione.
3. Premere i pulsanti "Right" (Destra) e "Left" (Sinistra) per scorrere tra le foto e i video. Premere il pulsante "Capture" (Cattura) per riprodurre un video.

### Salvare foto e video sul computer

1. Inserire la scheda SD nell'apposito slot.
2. Utilizzare un cavo USB per connettere il microscopio a un computer. Quindi, trasferire foto e video su tale computer.

### Visualizza sul computer (solo Windows 7 e precedenti)

1. Installare il software **SENSOR driver** (incluso) sul computer. Quando l'installazione del software sarà completata, sul desktop apparirà l'icona **CamApp**.
2. Usare l'Interruttore on/off per spegnere lo schermo LCD.
3. Utilizzare un cavo USB per connettere lo schermo LCD a un computer.
4. Tenere premuto il pulsante "Photo" (Foto) finché non appare **PC CAM** sullo schermo LCD. Quindi, inizierà automaticamente l'installazione del driver.
5. Una volta completata l'installazione, fare clic sull'icona **CamApp** sul desktop del computer per avviare la visualizzazione.

### Connessione a TV o monitor con ingresso AV

1. Usare un cavo AV (non Incluso) per connettere lo schermo LCD a una TV o un monitor.
2. Premere il pulsante "Setup".
3. Seleziona la voce del menù TV OUT (USCITA TV).
4. Seleziona la modalità di codifica della TV (NTSC/PAL).
5. Ora è possibile visualizzare le immagini sullo schermo.

### Setup

Premere il pulsante "Setup" per entrare nel menù impostazioni dello schermo LCD. Usare i pulsanti di controllo per selezionare i parametri necessari. Premere di nuovo il pulsante "Setup" per salvare i parametri selezionati.

Tenere premuto l'interruttore on/off per 3 secondi per spegnere lo schermo LCD.

### Sostituzione del fusibile (Levenhuk D90L LCD)

Scollegare il microscopio dall'alimentazione. Aprire la scatola dei fusibili sul retro del corpo del microscopio con un cacciavite a taglio. Rimuovere il vecchio fusibile e installarne uno nuovo. Usare solo fusibili del tipo appropriato. Chiudere la scatola dei fusibili.

## Specifiche

ID prodotto	75433	75434
Modello	Levenhuk D80L LCD	Levenhuk D90L LCD
Tipo	biologico/ottico	
Metodo di ricerca	campo chiaro	
Ingrandimenti	60x, 150x, 600x	60x, 150x, 600x, 1500x
Testata oculare	schermo LCD a colori da 5,6"	
Materiale delle ottiche	vetro ottico	
Obiettivi	acromatici: 4x, 10x, 40xs	acromatici: 4x, 10x, 40xs, 100xs (immersione in olio)
Revolver portaobiettivi	3 obiettivi	4 obiettivi
Range di movimento del tavolino	–	70/30 mm
Tavolino	90x90 mm, con portacampione	meccanico a doppio stadio, 110x126 mm, con traslatore meccanico
Sistema di messa a fuoco	coassiale; grossolana (15 mm) e fine (0,002 mm)	
Condensatore	0,65 con diaframma a iride e portafiltro (6 apertures)	Abbe N.A. 1,25 con diaframma a iride e portafiltro
Corpo	metallo	
Illuminazione	superiore e inferiore (LED da 0,2 W) con regolazione della luminosità	inferiore (LED da 1 W) con regolazione della luminosità
Collettore	+	+
Filtri	–	blu
Fiala di olio per immersione	–	+
Fusibile	–	+
Alimentazione	3 batterie AA o 110–220 V, tramite adattatore AC	110–220 V, tramite adattatore AC
Fotocamera digitale	2 Mpx	
Alimentazione fotocamera	5 V, 1 A tramite adattatore AC	



## Specifiche dello schermo LCD

Risoluzione massima (immagini ferme)	1600x1200 px
Megapixel	2
Sensore	1/3
Posizione di montaggio	sul corpo del microscopio
Dimensione pixel	2,8 µm
Sensibilità	1,0 V/lux.sec@550 nm
Range spettrale	400–950 nm
Formato immagine	*.jpg
Formato video	*.avi
Bilanciamento del bianco	auto
Controllo esposizione	auto
Uscite	slot SD uscita AV miniUSB: uscita PC DC: ricarica batteria
Alimentazione fotocamera	5 V, 1 A tramite adattatore AC
Sistema operativo	Windows 7 e precedenti

Levenhuk si riserva il diritto di modificare qualsiasi prodotto o sospenderne la produzione senza alcun preavviso.



**Attenzione!** Per informazioni riguardo la corretta tensione di rete, fare riferimento alla tabella delle specifiche; non cercare assolutamente di collegare un dispositivo a 220 V a una presa di corrente a 110 V e viceversa senza utilizzare un convertitore di tensione. Si tenga presente che la tensione di rete è di 220–240 V nella maggior parte dei paesi europei e di 110 V negli Stati Uniti e in Canada.

## Cura e manutenzione

- **Non utilizzare in nessun caso questo apparecchio per guardare direttamente il sole, un'altra sorgente di luce ad alta luminosità o un laser, perché ciò potrebbe provocare DANNI PERMANENTI ALLA RETINA e portare a CECITÀ.**
- Nel caso si utilizzi l'apparecchio in presenza di bambini o altre persone che non siano in grado di leggere o comprendere appieno queste istruzioni, prendere le precauzioni necessarie.
- Dopo aver disimballato il microscopio e prima di utilizzarlo per la prima volta, verificare l'integrità e lo stato di conservazione di tutte le componenti e le connessioni.
- Non cercare per nessun motivo di smontare autonomamente l'apparecchio. Per qualsiasi intervento di riparazione e pulizia, contattare il centro di assistenza specializzato di zona.
- Proteggere l'apparecchio da urti improvvisi ed evitare che sia sottoposto ad eccessiva forza meccanica. Durante la messa a fuoco, non applicare una forza eccessiva. Non stringere eccessivamente le viti di bloccaggio.
- Non toccare le superfici ottiche con le dita. Per pulire l'esterno dell'apparecchio, utilizzare soltanto le salviette apposite e gli strumenti di pulizia dell'ottica apposti offerti da Levenhuk. Non utilizzare fluidi corrosivi o a base di acetone per pulire l'ottica del dispositivo.
- Per rimuovere eventuali particelle abrasive, ad esempio sabbia, dalle lenti, non strofinare, ma soffiare oppure utilizzare una spazzola morbida.
- Non utilizzare il dispositivo per lunghi periodi e non lasciarlo incustodito sotto i raggi diretti del sole. Non esporre il dispositivo all'acqua o a elevata umidità.
- Prestare attenzione durante le osservazioni e, una volta terminato, rimettere sempre il coperchio protettivo per proteggere l'apparecchio da polvere e macchie.
- Se non si intende utilizzare il microscopio per periodi prolungati, conservare le lenti obiettivo e gli oculari separatamente dal microscopio.
- Conservare l'apparecchio in un posto fresco e asciutto, al riparo da acidi pericolosi e altri prodotti chimici, da apparecchi di riscaldamento, da fiamme libere e da altre fonti di calore.
- Cercare di non utilizzare il microscopio in prossimità di materiali o sostanze infiammabili (benzene, carta, cartone ecc), poiché la base potrebbe riscaldarsi durante l'utilizzo e rappresentare un rischio di incendio.
- Disconnettere sempre il microscopio dall'alimentazione prima di aprire la base o sostituire la lampadina di illuminazione. Indipendentemente dal tipo di lampadina (alogeno o a incandescenza), attendere che si sia raffreddata prima di cercare di sostituirla e sostituirla sempre con una lampadina dello stesso tipo.
- Utilizzare sempre un'alimentazione di tensione adeguata, cioè quella indicata nelle specifiche del microscopio. Collegare lo strumento a una presa di alimentazione differente potrebbe provocare il danneggiamento dei circuiti elettrici del microscopio, bruciare la lampadina o addirittura causare un corto circuito.
- **In caso di ingestione di una parte di piccole dimensioni o di una batteria, richiedere immediatamente assistenza medica.**

## Istruzioni di sicurezza per le batterie

- Acquistare batterie di dimensione e tipo adeguati per l'uso di destinazione.
- Sostituire sempre tutte le batterie contemporaneamente, evitando accuratamente di mischiare batterie vecchie con batterie nuove oppure batterie di tipo differente.
- Prima della sostituzione, pulire i contatti della batteria e quelli dell'apparecchio.
- Assicurarsi che le batterie siano state inserite con la corretta polarità (+ e -).
- Se non si intende utilizzare l'apparecchio per lungo periodo, rimuovere le batterie.
- Rimuovere subito le batterie esaurite.
- Non cortocircuitare le batterie, perché ciò potrebbe provocare forte riscaldamento, perdita di liquido o esplosione.
- Non tentare di riattivare le batterie riscaldandole.
- Dopo l'utilizzo, non dimenticare di spegnere l'apparecchio.
- Per evitare il rischio di ingestione, soffocamento o intossicazione, tenere le batterie fuori dalla portata dei bambini.

## Garanzia internazionale Levenhuk

Tutti i telescopi, i microscopi i binocoli e gli altri prodotti ottici Levenhuk, ad eccezione degli accessori, godono di una **garanzia a vita** per i difetti di fabbricazione o dei materiali. Garanzia a vita rappresenta una garanzia per la vita del prodotto sul mercato. Tutti gli accessori Levenhuk godono di una garanzia di **due anni** a partire dalla data di acquisto per i difetti di fabbricazione e dei materiali. Levenhuk riparerà o sostituirà i prodotti o relative parti che, in seguito a ispezione effettuata da Levenhuk, risultino presentare difetti di fabbricazione o dei materiali. Condizione per l'obbligo di riparazione o sostituzione da parte di Levenhuk di tali prodotti è che il prodotto venga restituito a Levenhuk unitamente ad una prova d'acquisto la cui validità sia riconosciuta da Levenhuk.

Questa garanzia non copre le parti consumabili, come le lampadine (elettriche, LED, alogene, a risparmio energetico o altri tipi di lampadine), batterie (ricaricabili e non ricaricabili), parti elettriche consumabili, ecc.

Per maggiori dettagli, visitare il nostro sito web: [www.levenhuk.eu/warranty](http://www.levenhuk.eu/warranty)

Per qualsiasi problema di garanzia o necessità di assistenza per l'utilizzo del prodotto, contattare la filiale Levenhuk di zona.

## Informacje ogólne

Przed rozpoczęciem pracy z mikroskopem należy uważnie przeczytać instrukcję obsługi. Mikroskopy biologiczne Levenhuk D80L LCD i D90L LCD są bezpieczne dla zdrowia, życia i mienia użytkownika, a także dla środowiska, jeśli są użytkowane w prawidłowy sposób. Ponadto spełniają wymogi międzynarodowych norm. Te mikroskopy zostały opracowane do obserwacji obiektów przezroczystych w świetle przechodzącym przy użyciu metody jasnego pola. To idealne przyrządy optyczne do badań i testów klinicznych, pokazów szkolnych, bakterioskopii i cytoskopii w placówkach medycznych, laboratoriach, na uniwersytetach oraz w szkołach. Mogą być także stosowane do badań naukowych w rolnictwie i mikrobiologii.

## Montaż mikroskopu

- Ostrożnie wyjmij mikroskop z opakowania i umieść go na płaskiej powierzchni.
- Zdejmij worki foliowe i osłonę przeciwpylową z głowicy okularowej.
- Zamontuj głowicę ekran LCD i dokręć śrubę blokującą.
- Sprawdź wszystkie elementy zestawu i określ ich przeznaczenie.
- D90L LCD: podłącz przewód zasilający do mikroskopu i do gniazdka.
- D80L LCD: otwórz komorę akumulatorów, włóż akumulatory zgodnie z oznaczeniami polaryzacji w komorze, załóż pokrywę komory i włącz mikroskop. Przed użyciem mikroskopu należy naładować akumulatory: włóż akumulatory do komory akumulatorów zgodnie z polaryzacją i podłącz mikroskop do sieci elektrycznej za pomocą zasilacza.

## Obsługa

Zapoznaj się z rys. 1a (Levenhuk D80L LCD) i rys. 1b (Levenhuk D90L LCD).

- Włącz zasilanie. Zostanie włączone oświetlenie. Ustaw jasność na około 70%. Umieść preparat na stoliku. Sprawdź, czy preparat jest prawidłowo zamocowany w zaczepach.
- D80L LCD: wyreguluj wysokość stolika, obracając śrubę blokującą.
- D90L LCD: przysłonę irysową należy wyregulować zgodnie z aperturą numeryczną soczewki. Najlepszą praktyką jest ustawienie przysłony irysowej nieznacznie mniejszej niż apertura wybranej soczewki. Otwórz lub zamknij przysłonę irysową za pomocą śrub regulacyjnych. Obrócenie śruby regulacyjnej w prawo powoduje pełne otwarcie przysłony irysowej. **Uwaga:** przysłona nie służy do regulacji jasności oświetlenia. Jasność reguluje się za pomocą pokrętła regulacji jasności.
- D90L LCD: przesunąć uchwyt filtra, umieścić w nim filtr, a następnie ustawić uchwyt w pierwotnym położeniu.
- D80L LCD: obracając przysłonę membranową, aż przechodząca wiązka światła zostanie zredukowana do komfortowego poziomu jasności. Jeśli obraz jest zbyt ciemny, wybierz większą aperturę, aby zwiększyć ilość przechodzącego światła.
- Aby zmienić powiększenie obiektywu, obracaj miskę rewolwerową do usłyszenia kliknięcia.
- Zwróć uwagę, aby soczewka nie miała kontaktu z preparatem podczas regulacji ostrości: obracaj pokrętło zgrubnej regulacji ostrości, aż preparat znajdzie się około 3,175 mm (1/8") od soczewki.
- Obracaj pokrętło precyzyjnej regulacji ostrości, aby uzyskać wyraźny obraz. Mechanizm precyzyjnej regulacji ostrości pozwala na ustawienie ostrości na obserwowanym preparacie przy dużym powiększeniu.
- D90L LCD: w przypadku używania obiektywu z immersją olejową przestrzeń między preparatem a soczewką należy wypełnić olejkim immersyjnym. Podnieś kondensator do górnego położenia i nałożyć kroplę olejku na soczewkę oraz na szklaną osłonę preparatu. Przesunąć miskę rewolwerową do tyłu i do przodu, aby usunąć pęcherzyki powietrza z olejku. Następnie zamocuj soczewkę obiektywową w położeniu roboczym. Sprawdź, czy olejek pokrywa całą przestrzeń między soczewką obiektywową a preparatem. Po użyciu należy wytrzeć soczewkę do sucha.
- Położenie skali mechanicznej można wyregulować (tylko D90L LCD) za pomocą pokrętła zgrubnej regulacji ostrości, obracając je w prawo, aby zablokować wybrane położenie, lub w lewo, aby poluzować skalę.
- D90L LCD: aby ustawić preparat w polu widzenia, przesuwaj stolik poziomo do tyłu i do przodu lub w lewo i w prawo za pomocą pokrętła przesuwania stolika
- Patrząc na monitor, użyj pokrętła ostrości w celu wyregulowania ostrości obrazu.

## Wyświetlacz LCD

Levenhuk D80L LCD i D90L LCD jest wyposażony w ekran LCD (rys. 2). Podłącz przewód zasilający do złącza zasilania ekranu LCD, a następnie podłącz go do sieci elektrycznej. Włóż kartę SD (w zestawie) do gniazda SD, aby móc wyświetlać obraz i zapisywać przechwycone zdjęcia i filmy. Następnie włącz ekran LCD, naciskając i przytrzymując przez 3 sekundy przycisk wł./wył. zasilania.

### Powiększenie cyfrowe

Podczas obserwacji naciśnij przycisk "UP" (W GÓRĘ), aby powiększyć obraz lub "DOWN" (W DÓŁ), aby zmniejszyć jego powiększenie.

### Zdjęcia

Naciśnij przycisk "Capture" (Rejestrowanie) na panelu sterowania, aby zrobić zdjęcie.

### Filmy

1. Naciśnij przycisk "Video" (Filmy), aby przejść do trybu rejestrowania filmów.
2. Naciśnij przycisk "Capture" (Rejestrowanie), aby rozpocząć nagrywanie filmu.
3. Naciśnij ponownie przycisk "Capture" (Rejestrowanie), aby zakończyć nagrywanie.

### Wyświetlanie zdjęć i filmów

1. Włóż kartę pamięci SD do gniazda SD.
2. Dwukrotnie naciśnij przycisk "Video" (Filmy), aby przejść do trybu wyświetlania.
3. Naciśnij przyciski "Right" (W prawo) i "Left" (W lewo), aby wyświetlać zdjęcia oraz filmy. Naciśnij przycisk "Capture" (Rejestrowanie), aby rozpocząć odtwarzanie filmu.

### Zapisywanie zdjęć i filmów na komputerze

1. Włóż kartę pamięci SD do gniazda SD.
2. Użyj przewodu USB, aby podłączyć mikroskop do komputera. Możesz teraz przenosić zdjęcia i filmy do komputera.

### Wyświetlanie obrazu na komputerze (tylko Windows 7 i starsze wersje)

1. Zainstaluj oprogramowanie **SENSor driver** na komputerze (w zestawie). Po ukończeniu instalacji oprogramowania na pulpicie zostanie wyświetlona ikona **CamApp**.
2. Wyłącz ekran LCD za pomocą przycisku wł./wył. zasilania.
3. Użyj przewodu USB, aby podłączyć ekran LCD do komputera.
4. Naciśnij i przytrzymaj przycisk "Photo" (Zdjęcie), aż na ekranie LCD pojawi się wskazanie **PC CAM**. Następnie rozpocznie się automatycznie instalacja sterownika.
5. Po ukończeniu instalacji kliknij ikonę **CamApp** na pulpicie komputera, aby rozpocząć wyświetlanie.

### Podłączanie do telewizora/monitora ze złączem AV

1. Użyj przewodu AV (sprzedawany osobno), aby podłączyć ekran LCD do telewizora/monitora.
2. Naciśnij przycisk "Setup" (Konfiguracja).
3. Wybierz pozycję menu TV OUT.
4. Wybierz tryb telewizyjny (NTSC/PAL).
5. Możesz teraz wyświetlać obraz na ekranie zewnętrznym.

### Konfiguracja

Naciśnij przycisk "Setup" (Konfiguracja), aby przejść do menu ustawień ekranu LCD. Użyj przycisków sterowania, aby wybrać żądane parametry. Naciśnij ponownie przycisk "Setup" (Konfiguracja), aby zapisać wybrane parametry.

Przytrzymaj przez 3 sekundy przycisk wł./wył. zasilania, aby wyłączyć ekran LCD.

### Wymiana bezpiecznika (Levenhuk D90L LCD)

Odłącz mikroskop od źródła zasilania. Otwórz gniazdo bezpiecznika w tylnej części korpusu mikroskopu za pomocą wkrętaka płaskiego. Wyjmij stary bezpiecznik i zamontuj nowy. Należy stosować tylko bezpieczniki odpowiedniego typu. Zamknij gniazdo bezpiecznika.

## Dane techniczne

Identyfikator produktu	75433	75434
Model	Levenhuk D80L LCD	Levenhuk D90L LCD
Typ	biologiczny/optyczny	
Metoda badawcza	jasnego pola	
Powiększenie	60x, 150x, 600x	60x, 150x, 600x, 1500x
Głowica okularowa	kolorowy ekran LCD 5,6"	
Materiał układu optycznego	szkło optyczne	
Obiektywy	achromatyczne: 4x, 10x, 40xs	achromatyczne: 4x, 10x, 40x, 100x (olejek immersyjny)
Miska rewolwerowa	3 obiektywy	4 obiektywy
Zakres ruchu stolika	–	70/30 mm
Stolik	90x90 mm, z zaczepami do preparatów	dwuwarstwowy mechaniczny, 110x126 mm, ze skalą mechaniczną
Mechanizm regulacji ostrości	współosiowa, zgrubna (15 mm) i precyzyjna (0,002 mm)	
Kondensator	0,65 przysłona irysowa i uchwyt na filtry (6 apertur)	Abbego N.A. 1,25, przysłona irysowa i uchwyt na filtry
Korpus	metal	
Oświetlenie	górną i dolną (0,2 W LED) z regulacją jasności	dolną (1 W LED) z regulacją jasności
Kolektor	+	+
Filtry	–	światła niebieskiego
Fiolka olejku immersyjnego	–	+
Bezpiecznik	–	+
Zasilanie	3 baterie AA lub 110–220 V, przez zasilacz	110–220 V, przez zasilacz
Aparat cyfrowy	2 Mpx	
Zasilanie aparatu	5 V, 1 A przez zasilacz	

## Dane techniczne ekranu LCD

Maks. rozdzielczość (obrazy nieruchome)	1600x1200 px
Megapiksele	2
Czujnik	1/3
Miejsce montażu	ramię mikroskopu
Rozmiar pikseli	2,8 µm
Czułość	1,0 V/lux.sec@550 nm
Zakres spektralny	400–950 nm
Format obrazów	*.jpg
Format wideo	*.avi
Balans bieli	automatyczny
Kontrola ekspozycji	automatyczny
Wyjście	gniazdo karty SD wyjście AV mini USB: wyjście do komputera prąd stały: ładowanie akumulatora
Zasilanie kamery	5 V, 1 A przez zasilacz
System operacyjny	Windows 7 i starsze wersje

Levenhuk zastrzega sobie prawo do modyfikowania lub zakończenia produkcji dowolnego produktu bez wcześniejszego powiadomienia.



**Uwaga!** Prosimy zapoznać się z tabelą z danymi technicznymi i sprawdzić poprawną wartość napięcia sieciowego. Nie należy podłączać urządzenia o napięciu 220 V do gniazdka o napięciu 110 V ani na odwrót bez użycia przetwornika. Należy pamiętać, że napięcie sieciowe w większości państw europejskich wynosi 220–240 V, natomiast w USA i Kanadzie – 110 V.

## Konserwacja i pielęgnacja

- Pod żadnym pozorem nie wolno kierować przyrządu bezpośrednio na słońce, światło laserowe lub inne źródło jasnego światła, ponieważ może to spowodować TRWAŁE USZKODZENIE SIATKÓWKI lub doprowadzić do ŚLEPOTY.
- Zachowaj szczególną ostrożność, gdy urządzenia używają dzieci lub osoby, które nie w pełni zapoznały się z instrukcjami.
- Po rozpakowaniu mikroskopu i przed jego pierwszym użyciem należy sprawdzić stan i prawidłowość podłączenia każdego elementu.
- Nie podejmuj prób samodzielnego demontażu urządzenia, nawet w celu wyczyszczenia lustra. W celu wszelkich napraw i czyszczenia skontaktuj się z punktem serwisowym.
- Chroń przyrząd przed upadkami z wysokości i działaniem nadmiernej siły mechanicznej. Nie należy używać nadmiernej siły podczas ustawiania ostrości. Nie należy dokręcać zbyt mocno śrub blokujących.
- Nie dotykaj powierzchni optycznych palcami. Do czyszczenia zewnętrznych powierzchni przyrządu używaj tylko specjalnych ściereczek i narzędzi do czyszczenia optyki Levenhuk. Nie czyść układu optycznego za pomocą środków żrących lub zawierających aceton.
- Cząsteczki szcierające, takie jak ziarna piasku, powinny być zdmuchiwane z powierzchni soczewek lub usuwane za pomocą miękkiej szczotki.
- Nie wystawiaj przyrządu na długotrwałe działanie promieni słonecznych. Trzymaj z dala od wody. Nie należy przechowywać w warunkach wysokiej wilgoci.
- Podczas obserwacji należy zachować ostrożność. Po zakończeniu obserwacji załóż osłonę przeciwpylową w celu zabezpieczenia mikroskopu przed kurzem i zanieczyszczeniami.
- W przypadku korzystania z mikroskopu przez dłuższy czas soczewki obiektywowe i okulary oraz mikroskop należy przechowywać osobno.
- Przyrząd powinien być przechowywany w suchym, chłodnym miejscu, z dala od kurzu, niebezpiecznych kwasów oraz innych substancji chemicznych, grzejników, otwartego ognia i innych źródeł wysokiej temperatury.
- Staraj się nie korzystać z mikroskopu w pobliżu łatwopalnych materiałów lub substancji (benzenu, papieru, kartonu, tworzywa sztucznego itp.), ponieważ nagrzewająca się podczas użytkowania podstawa może powodować ryzyko pożaru.
- Przed każdym otwarciem podstawy lub wymianą lampy odłączaj mikroskop od źródła zasilania. Przed wymianą lampy, niezależnie od jej rodzaju (halogenowa lub żarowa), zaczekaj, aż jej temperatura spadnie. Lampy wymieniaj zawsze na modele tego samego typu.
- Pamiętaj, aby moc zasilania była dopasowana do napięcia – jest ono podane w danych technicznych nowego mikroskopu. Podłączenie do gniazda zasilającego o innej mocy może spowodować uszkodzenie zespołu obwodów elektrycznych przyrządu, spalenie lampy, a nawet zwarcie.
- W przypadku połamania małej części lub baterii należy natychmiast zwrócić się o pomoc medyczną.

## Instrukcje dotyczące bezpiecznego obchodzenia się z bateriami

- Należy używać baterii odpowiedniego typu i w odpowiednim rozmiarze.
- Należy wymieniać wszystkie baterie jednocześnie; nie należy łączyć starych i nowych baterii ani baterii różnych typów.
- Przed włożeniem baterii należy wyczyścić styki baterii i urządzenia.
- Podczas wkładania baterii należy zwracać uwagę na ich bieguny (znaki + i –).
- Jeśli sprzęt nie będzie używany przez dłuższy czas, należy wyjąć baterie.
- Zużyte baterie należy natychmiast wyjąć.
- Nie doprowadzać do zwarcia baterii, ponieważ wiąże się to z ryzykiem powstania wysokich temperatur, wycieku lub wybuchu.
- Nie ogrzewać baterii w celu przedłużenia czasu ich działania.
- Należy pamiętać o wyłączeniu urządzenia po zakończeniu użytkowania.
- Baterie przechowywać w miejscu niedostępnym dla dzieci, aby uniknąć ryzyka połamania, uduszenia lub zatrucia.

## Gwarancja międzynarodowa Levenhuk

Wszystkie teleskopy, mikroskopy, lornetki i inne przyrządy optyczne Levenhuk, za wyjątkiem akcesoriów, posiadają **dożywotnią gwarancję** obejmującą wady materiałowe i wykonawcze. Dożywotnia gwarancja to gwarancja na cały okres użytkowania produktu. Wszystkie akcesoria Levenhuk są wolne od wad materiałowych i wykonawczych i pozostaną takie przez **dwa lata** od daty zakupu detalicznego. Firma Levenhuk naprawi lub wymieni produkty lub ich części, w przypadku których kontrola prowadzona przez Levenhuk wykaże obecność wad materiałowych lub wykonawczych. Warunkiem wywiązania się przez firmę Levenhuk z obowiązku naprawy lub wymiany produktu jest dostarczenie danego produktu firmie razem z dowodem zakupu uznawanym przez Levenhuk.

Niniejsza gwarancja nie obejmuje części eksploatacyjnych, takich jak żarówki (elektryczne, LED, halogenowe, energooszczędne i inne), baterie (akumulatory i zwykłe), akcesoria elektryczne itd.

Więcej informacji na ten temat znajduje się na stronie: [www.levenhuk.pl/gwarancja](http://www.levenhuk.pl/gwarancja)

W przypadku wątpliwości związanych z gwarancją lub korzystaniem z produktu, proszę skontaktować się z lokalnym przedstawicielem Levenhuk.

## Informações gerais

Leia o manual do utilizador cuidadosamente antes de começar a trabalhar com um microscópio. Os microscópios biológicos Levenhuk D80L LCD e D90L LCD são seguros para a saúde, a vida e a propriedade do consumidor e do ambiente quando utilizados adequadamente e cumprem os requisitos das normas internacionais. Estes microscópios foram concebidos para observar objetos transparentes na luz transmitida utilizando o método de campo brilhante. Têm um bom desempenho em investigação e testes clínicos; demonstrações pedagógicas; bacterioscopia e citologia em estabelecimentos médicos e sanitários, laboratórios, universidades; e podem ser utilizados para investigação científica em agricultura e microbiologia.

## Montagem do microscópio

- Remova o microscópio da embalagem cuidadosamente e coloque-o numa superfície plana.
- Remova os sacos de plástico e a tampa à prova de poeira da cabeça da ocular.
- Instale a cabeça ecrã LCD e aperte o parafuso de bloqueio.
- Inspeccione todos os itens incluídos no kit e defina o respetivo objetivo.
- D90L LCD: Ligue o cabo de alimentação ao microscópio e ligue à tomada.
- D80L LCD: Abra o compartimento das pilhas, posicione as pilhas de acordo com a marcação de polaridade no compartimento das pilhas, volte a inserir a porta do compartimento das pilhas e ligue o microscópio. Antes de utilizar o microscópio, é necessário carregar as pilhas: Insira as pilhas no compartimento das pilhas (observe a polaridade) e ligue o microscópio à rede elétrica utilizando o adaptador de corrente.

## Utilização

Consulte a Fig. 1a (Levenhuk D80L LCD) e Fig. 1b (Levenhuk D90L LCD).

- Ligue a energia e a iluminação acender-se-á. Defina o brilho em, aproximadamente, 70%. Coloque o espécime na lâmina. Certifique-se de que os cliques mantêm o espécime firmemente no local.
- D80L LCD: Ajuste a altura da platina, rodando o parafuso de bloqueio.
- D90L LCD: O diafragma da íris deve ser ajustado de acordo com a abertura numérica de uma lente. A melhor prática é tornar o diafragma da íris ligeiramente mais pequeno do que a abertura da lente selecionada. Abra ou feche o diafragma da íris utilizando os parafusos de ajuste. Se o parafuso de ajuste for virado para a direita, o diafragma da íris fica totalmente aberto. Nota: O diafragma não se destina a ajustar o brilho da iluminação. Para ajustar o brilho, utilize a roda de ajuste do brilho.
- D90L LCD: Deslize o suporte do filtro, coloque o filtro no mesmo e, em seguida, coloque o suporte na posição inicial.
- D80L LCD: Rode o disco do diafragma até que o raio de luz seja reduzido para um nível de luminosidade confortável. Se a imagem for demasiado escura, selecione uma abertura maior para aumentar o raio de luz.
- Para alterar a ampliação da objetiva, rode o revólver giratório até ouvir um clique.
- Certifique-se de que a lente não toca na amostra ao ajustar o foco: rode o botão de focagem grosseira até que o espécime esteja afastado da lente em, aproximadamente, 3,175 mm.
- Rode o botão de focagem fina para tornar a imagem nítida. O mecanismo de focagem fina permite focar o espécime observado enquanto utiliza ampliações elevadas.
- D90L LCD: Quando utiliza uma objetiva de imersão em óleo, o espaço entre o espécime e a lente deve ser preenchido com óleo de imersão. Levante o condensador para a posição superior e coloque uma gota de óleo na lente e no vidro de cobertura do espécime. Mova o revólver giratório para trás e para a frente para remover bolhas de ar no óleo. Em seguida, fixe a lente da objetiva na posição de trabalho. Certifique-se de que o óleo preenche todo o espaço entre a lente da objetiva e o espécime. Após a utilização, limpe a lente até secar.
- Para ajustar a posição da balança mecânica (apenas D90L LCD) rode o botão de focagem grosseira no sentido dos ponteiros do relógio, caso pretenda fixar a posição da balança mecânica, ou no sentido contrário, caso pretender soltar.
- D90L LCD: Para colocar o espécime no campo de visão, mova a lâmina para trás e para a frente ou para a esquerda e para a direita, utilizando o botão de deslocação da lâmina.
- Ao olhar para o monitor, utilize os botões de focagem para ajustar a nitidez da imagem.

## Ecrã LCD

O Levenhuk D80L LCD e D90L LCD inclui um ecrã LCD (Fig. 2). Ligue o cabo de alimentação ao conector de alimentação no ecrã LCD e ligue-o à rede. Insira o cartão SD (incluído) na ranhura SD para ver a imagem e guardar as fotografias e vídeos resultantes. Em seguida, ligue o ecrã LCD com o botão para ligar/desligar, mantendo-o premido durante 3 segundos.

## Ampliação digital

Durante as observações, prima o botão “UP” (Para cima) para ampliar a imagem e o botão “DOWN” (Para baixo) para reduzir a imagem.

## Fotografia

Prima o botão “Capture” (Capturar) no painel de controlo para tirar uma fotografia.

## Vídeo

1. Prima o botão “Vídeo” para entrar no modo de gravação de vídeo.
2. Prima o botão “Capture” (Capturar) para iniciar a gravação de um vídeo.
3. Prima novamente o botão “Capture” (Capturar) para parar a gravação de um vídeo.



### Ver fotografias e vídeos

1. Insira o cartão SD na ranhura SD.
2. Prima o botão “Vídeo” duas vezes para ativar o modo de visualização.
3. Prima os botões “Right” (Para a direita) e “Left” (Para a esquerda) para ver as imagens e os vídeos. Prima o botão “Capture” (Capturar) para começar a reproduzir o vídeo.

### Guardar fotografias e vídeos num computador

1. Insira o cartão SD na ranhura SD.
2. Utilize o cabo USB para ligar o microscópio ao computador. Agora, pode transferir as fotografias e os vídeos para um computador.

### Ver num computador (apenas Windows 7 e inferior)

1. Instale o software **SENSor driver** no computador (incluído). O ícone **CamApp** aparecerá no seu ambiente de trabalho após a conclusão da instalação do software.
2. Utilize o botão “Power on/off” (Ligar/desligar) para desativar o ecrã LCD.
3. Utilize o cabo USB para ligar o ecrã LCD ao computador.
4. Prima e mantenha premido o botão “Photo” (Fotografia) até que **PC CAM** apareça no ecrã LCD. Em seguida, a instalação do controlador será iniciada automaticamente.
5. Quando a instalação estiver concluída, clique no ícone **CamApp** no ambiente de trabalho do seu computador para começar a ver.

### Ligar a uma TV/monitor com um conector AV

1. Utilize um cabo AV (não incluído) para ligar o ecrã LCD à TV/monitor.
2. Prima o botão “Setup” (Configurar).
3. Selecione o item de menu TV OUT.
4. Selecione o modo de TV (NTSC/PAL).
5. Agora, pode começar a ver no ecrã.

### Configurar

Prima o botão “Setup” (Configurar) para aceder ao menu de definições do ecrã LCD. Utilize os botões de controlo para seleccionar os parâmetros necessários. Prima novamente o botão “Setup” (Configurar) para guardar os parâmetros seleccionados.

Mantenha o botão “Power on/off” (Ligar/desligar) premido durante 3 segundos para desligar o ecrã LCD.

### Substituição do fusível (Levenhuk D90L LCD)

Desligue o microscópio de uma fonte de alimentação. Abra o porta-fusíveis localizado na parte traseira do corpo do microscópio com uma chave de fendas de ponta plana. Remova o fusível antigo e instale um novo. Utilize apenas os tipos apropriados de fusíveis. Feche o porta-fusíveis.

## Especificações

ID de produto	75433	75434
Modelo	Levenhuk D80L LCD	Levenhuk D90L LCD
Typo	biológico/ótico	
Método de investigação	campo brilhante	
Ampliação	60x, 150x, 600x	60x, 150x, 600x, 1500x
Cabeça	ecrã LCD de 5,6" a cores	
Material ótico	vidro ótico	
Objetivas	acromática: 4x, 10x, 40xs	acromática: 4x, 10x, 40xs, 100xs (óleo)
Revólver giratório	3 objetivas	4 objetivas
Alcance de deslocação da lâmina	–	70/30 mm
Platina	90x90 mm, om suportes de espécimes	camada dupla mecânica, 110x126 mm, com balança mecânica
Foco	coaxial, grosso (15 mm) e fino (0,002 mm)	
Kondensor	diafragma da íris e suporte do filtro de 0,65 (6 aberturas)	Abbe N.A. 1,25 diafragma de íris e suporte do filtro
Corpo	metal	
Iluminação	superior e inferior (LED de 0,2 W) com ajuste de brilho	inferior (LED de 1 W) com ajuste de brilho
Coletor	+	+
Filtros	–	azul
Frasco de óleo de imersão	–	+
Fusível	–	+
Fonte de alimentação	3 pilhas AA ou 110–220 V, através do adaptador CA	110–220 V, através do adaptador CA
Câmara digital	2 Mpx	
Fonte de alimentação da câmara	5 V, 1 A através do adaptador CA	

## Especificações do ecrã LCD

Máx. resolução (imagens fixas)	1600x1200 px
Megapixels	2
Sensor	1/3
Localização de montagem	braço dos microscópios
Tamanho do pixel	2,8 µm
Sensibilidade	1,0 V/lux.sec@550 nm
Faixa espectral	400–950 nm
Formato da imagem	*.jpg
Formato de vídeo	*.avi
Equilíbrio de brancos	automático
Controlo de exposição	automático
Saída	ranhura SD saída AV miniUSB: saída para PC DC: carregar pilhas
Fonte de alimentação da câmara	5 V, 1 A através do adaptador CA
Sistema operativo	Windows 7 e inferior

Levenhuk se reserva no direito de fazer alterações na variedade e nas especificações dos produtos sem notificação prévia.



**Atenção!** Consulte a tabela de especificações para a voltagem correta. Nunca tente conectar um dispositivo 110 V a uma saída 220 V, e vice-versa, sem o uso de um transformador. Lembre-se que a voltagem nos EUA e no Canadá é 110 V e que, na maioria dos países europeus, a voltagem é 220–240 V.

## Cuidado e manutenção

- **Nunca, em qualquer circunstância, olhe diretamente para o Sol, ou para outra fonte de luz intensa, ou para um laser através deste dispositivo, pois isso pode causar DANOS PERMANENTES À RETINA e pode levar à CEGUEIRA.**
- Tome as precauções necessárias quando usar o dispositivo com crianças, ou com outras pessoas que não leram, ou não compreenderam totalmente estas instruções.
- Após desembalar o microscópio e antes de utilizá-lo pela primeira vez, verifique a integridade e a durabilidade de todos os componentes e ligações.
- Não tente desmontar o dispositivo por conta própria por qualquer motivo. Para fazer consertos de qualquer tipo, por favor entre em contato com seu centro de serviços especializados.
- Proteja o dispositivo de impactos súbitos e de força mecânica excessiva. Não aplique pressão excessiva quando estiver ajustando o foco. Não aperte demais os parafusos de bloqueio.
- Não toque nas superfícies ópticas com seus dedos. Para limpar o exterior do dispositivo, use apenas lenços especiais para limpeza e ferramentas especiais de limpeza óptica da Levenhuk. Não utilize fluidos corrosivos, nem baseados em acetona para limpar as partes ópticas.
- Partículas abrasivas, como areia, não devem ser removidas com um pano. Em vez disso, sobre-as, ou retire-as com um pincel suave.
- Não use o dispositivo por períodos de tempo muito longos, nem o deixe abandonado sob a luz direta do Sol. Mantenha longe de água e alta umidade.
- Tenha cuidado durante as suas observações, substitua sempre a capa protetora antipoeira quando concluir as observações de modo a proteger o equipamento contra poeiras e manchas.
- Se não utilizar o microscópio durante muito tempo, guarde as objetivas e os oculares separadamente do microscópio.
- Guarde o dispositivo em um local seco e fresco, longe de ácidos perigosos e outros produtos químicos, de aquecedores, de fogo e de outras fontes de altas temperaturas.
- Ao utilizar o microscópio, não o faça próximo de materiais ou substâncias inflamáveis (benzeno, papel, cartão, plástico, etc.), uma vez que a base pode aquecer durante o uso e provocar um incêndio.
- Desligue sempre o microscópio de uma fonte de alimentação antes de abrir a base ou mudar de lâmpada de iluminação. Independentemente do tipo de lâmpada (halogêneo ou incandescente), deixe arrefecer durante algum tempo antes de a substituir por uma lâmpada do mesmo tipo.
- Utilize sempre a fonte de alimentação com uma tensão adequada, isto é, indicada nas especificações do novo microscópio. A ligação do equipamento a uma tomada diferente pode danificar o circuito elétrico do microscópio, fundir a lâmpada ou provocar um curto-circuito.
- **Procure um médico imediatamente se uma peça pequena ou uma pilha for engolida.**

## Instruções de segurança da bateria

- Compre sempre baterias do tamanho e grau mais adequados para o uso pretendido.
- Substitua sempre o conjunto de baterias de uma só vez; tome cuidado para não misturar baterias antigas com novas, ou baterias de tipos diferentes.
- Limpe os contactos da bateria, e também os do dispositivo, antes da instalação da bateria.
- Certifique-se de que as baterias estão instaladas corretamente no que respeita à sua polaridade (+ e –).
- Remova as baterias do equipamento se este não for ser usado por um período prolongado de tempo.
- Remova as baterias usadas prontamente.
- Nunca tente recarregar baterias primárias, pois isso pode causar derrame, incêndio ou explosão.
- Nunca coloque as baterias em curto-circuito, pois isso pode causar altas temperaturas, derrame ou explosão.
- Nunca aqueça as baterias com o intuito de as reanimar. Não desmonte as baterias.
- Lembre-se de desligar os dispositivos após a utilização.
- Mantenha as baterias fora do alcance das crianças, para evitar o risco de ingestão, sufocação ou envenenamento.
- Use as baterias da forma prescrita pelas leis do seu país.

## Garantia vitalícia internacional Levenhuk

Todos os telescópios, microscópios, binóculos ou outros produtos ópticos Levenhuk, exceto seus acessórios, são acompanhados de **garantia vitalícia** contra defeitos dos materiais e acabamento. A garantia vitalícia é uma garantia para a vida útil do produto no mercado. Todos os acessórios Levenhuk têm garantia de materiais e acabamento livre de defeitos por **dois anos** a partir da data de compra. A Levenhuk irá reparar ou substituir o produto ou sua parte que, com base em inspeção feita pela Levenhuk, seja considerado defeituoso em relação aos materiais e acabamento. A condição para que a Levenhuk repare ou substitua tal produto é que ele seja enviado à Levenhuk juntamente com a nota fiscal de compra.

Esta garantia não cobre partes consumíveis, tais como lâmpadas (elétricas, de LED, de halogênio, econômicas e outros tipos de lâmpadas), baterias (recarregáveis e não recarregáveis), consumíveis elétricos etc.

Para detalhes adicionais, visite nossa página na internet: [www.levenhuk.eu/warranty](http://www.levenhuk.eu/warranty)

Se surgirem problemas relacionados à garantia ou se for necessária assistência no uso do produto, contate a filial local da Levenhuk.

## Общая информация

Внимательно изучите инструкцию по эксплуатации, прежде чем приступить к работе с микроскопом. Биологические микроскопы Levenhuk D80L LCD и D90L LCD безопасны для здоровья, жизни, имущества потребителя и окружающей среды при правильной эксплуатации и соответствуют требованиям международных стандартов. Модели предназначены для изучения прозрачных образцов в проходящем свете по методу светлого поля. Модель Levenhuk D80L LCD также подходит для исследований в отраженном свете по методу светлого поля. Они применяются в разных научных областях – для клинических исследований и испытаний, для обучающих демонстраций, для бактериоскопии и цитологии в институтах и университетах, медицинских и оздоровительных учреждениях, научно-исследовательских институтах, департаментах лесного и сельского хозяйства и т. п.

## Сборка

- Аккуратно распакуйте микроскоп и установите его на ровную поверхность.
- Снимите упаковку и пластиковую защиту с окулярной насадки.
- Установите ЖК-экран на корпус и затяните фиксатор.
- Осмотрите все элементы, входящие в комплект поставки, установите их назначение.
- D90L LCD: подключите к микроскопу сетевой шнур и включите его в сеть.
- D80L LCD: откройте батарейный отсек, вставьте батарейки, соблюдая полярность, закройте батарейный отсек и включите микроскоп. Для питания от сети подключите к микроскопу сетевой шнур и включите его в сеть.

## Использование

Рассмотрите рисунки 1a (Levenhuk D80L LCD) и 1b (Levenhuk D90L LCD).

- Включите питание, загорится подсветка. Настройте яркость так, чтобы она составляла около 70%. Положите препарат на предметный столик. Убедитесь, что зажимы надежно держат препарат.
- D90L LCD: ирисовую диафрагму необходимо настраивать в соответствии с разными цифровыми апертурами разных объективов. Лучше всего настроить ирисовую диафрагму таким образом, чтобы ее диаметр был немного меньше апертуры выбранного объектива. Откройте/закройте ирисовую диафрагму с помощью ручки регулировки. Если ручка повернута вправо, ирисовая диафрагма полностью открыта. **Примечание:** диафрагма не регулирует яркость подсветки. Чтобы отрегулировать яркость подсветки, используйте регулятор яркости подсветки.
- D90L LCD: сдвиньте держатель фильтра, поместите в него необходимый фильтр и затем верните держатель в начальное положение.
- D80L LCD: поворачивайте диск с диафрагмами, пока количество проходящего света не уменьшится до комфортной яркости. Если изображение слишком темное, выберите отверстие большего диаметра, чтобы увеличить поток света.
- Чтобы сменить увеличение объектива, поверните револьверное устройство до щелчка.
- При регулировке фокуса, чтобы объектив не касался образца, поворачивайте ручку грубой фокусировки, пока образец не окажется на расстоянии примерно 3,175 мм (1/8") от объектива.
- Поверните ручку тонкой фокусировки так, чтобы изображение стало четким. При работе с высокими увеличениями механизм тонкой фокусировки позволит четко сфокусироваться на наблюдаемом препарате.
- D90L LCD: при использовании масляного объектива следует заполнить пространство между поверхностью исследуемого образца и лицевой поверхностью объектива иммерсионным маслом. Поднимите конденсор в верхнее положение и капните немного масла на объектив и покрывное стекло препарата. Поверните револьверное устройство вперед и назад несколько раз, чтобы избавиться от пузырьков воздуха в масле. Затем зафиксируйте объектив в рабочем положении. Убедитесь, что масло заполняет все пространство между объективом и препаратом. После использования протрите масляный объектив насухо.
- D90L LCD: чтобы отрегулировать положение препаратопроводителя, поверните ручку грубой фокусировки по часовой стрелке (зафиксировать положение) или против часовой стрелки (ослабить).
- D90L LCD: поворачивая ручку для перемещения столика по горизонтали вперед-назад и вправо-влево, вы сможете поместить препарат в центр поля зрения окуляра.
- Глядя на монитор, настройте резкость изображения при помощи ручек фокусировки.

## ЖК-экран

В моделях Levenhuk D80L LCD и D90L LCD для наблюдений используется ЖК-экран (рис. 2). Чтобы начать работу, подключите кабель питания к разъему питания на корпусе ЖК-экрана и включите его в сеть. Установите SD карту (входит в комплект поставки) в соответствующий разъем, чтобы увидеть изображение и сохранять полученные фото и видео. Затем включите ЖК-экран при помощи кнопки вкл/выкл питания, удерживая ее в течение 3 секунд.

## Цифровое увеличение

Во время наблюдений нажмите кнопку «Вверх», чтобы увеличить изображение, кнопку «Вниз» — чтобы уменьшить.

## Как сделать снимок или записать видео

Чтобы сделать фото, нажмите кнопку «Фото» на панели управления. Нажмите на кнопку «Видео», чтобы записать видео.

## Просмотр фотографий и видеозаписей

1. Вставьте карту SD в разъем.
2. Дважды нажмите кнопку «Видео», чтобы включить режим просмотра.

3. Для просмотра сделанных снимков и видеозаписей нажимайте кнопки «Вправо» и «Влево». Чтобы начать воспроизведение видео, нажмите кнопку «Фото».

#### **Сохранение фотографий и видеозаписей на компьютер**

1. Вставьте карту SD в разъем.
2. Соедините микроскоп с компьютером при помощи USB-кабеля. Теперь вы можете перенести данные на компьютер.

#### **Просмотр на компьютере (только для Windows 7 и ниже)**

Установите программное обеспечение **SENSor driver** на ваш компьютер (диск с ПО входит в комплект). После завершения установки на вашем рабочем столе появится иконка программы **CamApp**. Выключите ЖК-экран при помощи кнопки вкл/выкл питания. Соедините ЖК-экран с компьютером при помощи USB-кабеля. Затем нажмите и удерживайте кнопку «Фото», пока на ЖК-экране не появится надпись **PC CAM**. После этого автоматически начнется установка драйвера. По окончании установки кликните на иконку **CamApp** на рабочем столе компьютера, чтобы начать просмотр.

#### **Подключение к телевизору/монитору с AV-разъемом**

Подключите ЖК-экран к телевизору/монитору при помощи AV-кабеля (в комплект не входит). Нажмите кнопку «Настройка», выберите пункт меню TV OUT и выберите TV-режим (NTSC/PAL). Теперь вы можете начать просмотр на экране.

#### **Настройка**

Чтобы перейти в меню настроек ЖК-экрана нажмите кнопку «Настройка». Используйте кнопки управления для выбора необходимых параметров.

Чтобы выключить ЖК-экран удерживайте кнопку вкл/выкл питания в течение 3 секунд.

#### **Замена предохранителя Levenhuk D90L LCD**

Отключите микроскоп от сети. Откройте держатель предохранителя в задней части микроскопа при помощи отвертки с прямым шлицем. Выньте старый предохранитель и установите новый. Используйте только соответствующие предохранители. Закройте держатель предохранителя.

## Технические характеристики

Артикул	75433	75434
Модель	Levenhuk D80L LCD	Levenhuk D90L LCD
Тип микроскопа	биологические/световые, цифровые	
Метод исследования	светлое поле	
Увеличение	60, 150, 600 крат	60, 150, 600, 1500 крат
Насадка	цветной ЖК-экран 5,6"	
Материал оптики	оптическое стекло	
Объективы	ахроматические: 4x, 10x, 40x	ахроматические: 4x, 10x, 40xs, 100xs (масляный)
Револьверное устройство	на 3 объектива	на 4 объектива
Диапазон перемещения предметного столика	—	70/30 мм
Предметный столик	90x90 мм, с препаратодержателями	механический двухслойный, 110x126 мм, с препаратоводителем
Фокусировка	коаксиальная, грубая (15 мм) и точная (0,002 мм)	
Конденсор	N.A. 0,65, диск с диафрагмами (6 отверстий)	Аббе N.A. 1,25 с ирисовой диафрагмой и держателем фильтра
Корпус	металл	
Подсветка	нижняя и верхняя, светодиодная (0,2 Вт), с регулировкой яркости	нижняя, светодиодная (1 Вт), с регулировкой яркости
Коллектор	+	+
Светофильтры	—	синий
Иммерсионное масло	—	+
Предохранитель	—	+
Источник питания	3 батарейки типа АА или 110–220 В, через сетевой адаптер	110–220 В, через сетевой адаптер
Камера	2 Мпикс	
Источник питания камеры	5 В, 1 А через сетевой адаптер	

## Технические характеристики ЖК-экрана

Максимальное разрешение (в покое)	1600x1200 пикс
Число мегапикселей	2
Чувствительный элемент	1/3
Место установки	опорная стойка
Размер пикселя	2,8 мкм
Чувствительность	1,0 В/лк·с, @550 нм
Спектральный диапазон,	400–950 нм
Формат изображения	*.jpg
Формат видео	*.avi
Баланс белого	авто
Контроль экспозиции	авто
Выход	разъем карты SD разъем AV разъем miniUSB разъем кабеля питания
Питание	5 В, 1 А через сетевой адаптер
Операционная система	Windows 7 и ниже

Компания Levenhuk оставляет за собой право вносить любые изменения или прекращать производство изделия без предварительного уведомления.





**Внимание!** Помните, что напряжение сети в России и большинстве европейских стран составляет 220–240 В. Если вы хотите использовать устройство в стране с другим стандартом сетевого напряжения, необходимо включать его в розетку только через соответствующий конвертер (преобразователь напряжения).

## Уход и хранение

- **Никогда не смотрите в прибор на Солнце, на источник яркого света и лазерного излучения – ЭТО ОПАСНО ДЛЯ ЗРЕНИЯ И МОЖЕТ ПРИВЕСТИ К СЛЕПОТЕ!**
- Будьте внимательны, если пользуетесь прибором вместе с детьми или людьми, не ознакомленными с инструкцией.
- После вскрытия упаковки и установки микроскопа проверьте каждый компонент.
- Не разбирайте прибор. Сервисные и ремонтные работы могут проводиться только в специализированном сервисном центре.
- Оберегайте прибор от резких ударов и чрезмерных механических воздействий. Не прикладывайте чрезмерных усилий при настройке фокуса. Не затягивайте стопорные и фиксирующие винты слишком туго.
- Не касайтесь пальцами поверхностей линз. Для внешней очистки прибора используйте специальную салфетку и специальные чистящие средства Levenhuk для чистки оптики. Не используйте для чистки средства с абразивными или коррозионными свойствами и жидкости на основе ацетона.
- Абразивные частицы (например, песок) следует не стирать, а сдувать или смахивать мягкой кисточкой.
- Не подвергайте прибор длительному воздействию прямых солнечных лучей. Не используйте прибор в условиях повышенной влажности и не погружайте его в воду.
- Работайте с микроскопом аккуратно, надевайте на него пылезащитный чехол после работы, чтобы защитить его от пыли и масляных пятен.
- Если объективы и окуляры не используются долгое время, храните их упакованными в сухую коробку, отдельно от микроскопа.
- Храните прибор в сухом прохладном месте, недоступном для пыли, влияния кислот или других активных химических веществ, вдали от отопителей (бытовых, автомобильных), открытого огня и других источников высоких температур.
- Не используйте микроскоп рядом с воспламеняемыми материалами, так как основание микроскопа может нагреться во время работы.
- Всегда отключайте микроскоп от электросети, прежде чем открывать батарейный отсек или менять лампу подсветки. Перед заменой лампы дайте ей остыть и всегда меняйте ее на лампу того же типа.
- Используйте источник питания, соответствующий напряжению сети, иначе может сгореть лампа, повредиться электросхема микроскопа или произойти короткое замыкание.
- Если деталь прибора или элемент питания были проглочены, срочно обратитесь за медицинской помощью.

## Использование элементов питания

- Всегда используйте элементы питания подходящего размера и соответствующего типа.
- При необходимости замены элементов питания меняйте сразу весь комплект, не смешивайте старые и новые элементы питания и не используйте элементы питания разных типов одновременно.
- Перед установкой элементов питания очистите контакты элементов и контакты в корпусе прибора.
- Устанавливайте элементы питания в соответствии с указанной полярностью (+ и –).
- Если прибор не используется длительное время, следует вынуть из него элементы питания.
- Оперативно вынимайте из прибора использованные элементы питания.
- Никогда не закорачивайте полюса элементов питания – это может привести к их перегреву, протечке или взрыву.
- Не пытайтесь нагревать элементы питания, чтобы восстановить их работоспособность.
- Не разбирайте элементы питания.
- Выключайте прибор после использования.
- Храните элементы питания в недоступном для детей месте, чтобы избежать риска их проглатывания, удушья или отравления.
- Утилизируйте использованные батарейки в соответствии с предписаниями закона.

## Международная пожизненная гарантия Levenhuk

Компания Levenhuk гарантирует отсутствие дефектов в материалах конструкции и дефектов изготовления изделия. Продавец гарантирует соответствие качества приобретенного вами изделия компании Levenhuk требованиям технической документации при соблюдении потребителем условий и правил транспортировки, хранения и эксплуатации изделия. Срок гарантии: на аксессуары – **6 (шесть) месяцев** со дня покупки, на остальные изделия – **пожизненная гарантия** (действует в течение всего срока эксплуатации прибора). Гарантия не распространяется на комплектующие с ограниченным сроком использования, в том числе лампы (накаливания, светодиодные, галогенные, энергосберегающие и прочие типы ламп), электрокомплектующие, расходные материалы, элементы питания и прочее.

Подробнее об условиях гарантийного обслуживания см. на сайте [www.levenhuk.ru/support](http://www.levenhuk.ru/support)

По вопросам гарантийного обслуживания вы можете обратиться в ближайшее представительство компании Levenhuk.

## Levenhuk prepared slides sets

The Levenhuk slides sets include thoroughly prepared specimens of various biomaterials as well as blank slides and cover glasses for you to make your own specimens. Prepared slides, blank slides and cover slips can be used with any microscope model.



**levenhuk**  
Zoom&Joy

Levenhuk USA: 928 E 124th Ave. Ste D, Tampa, FL33612, USA, +1 813 468-3001, [contact\\_us@levenhuk.com](mailto:contact_us@levenhuk.com)  
Levenhuk Europe: V Chotejně 700/7, 102 00 Prague 102, Czech Republic, +420 737-004-919, [sales-info@levenhuk.cz](mailto:sales-info@levenhuk.cz)  
Levenhuk® is registered trademark of Levenhuk, Inc.  
© 2006–2021 Levenhuk, Inc. All rights reserved.  
[www.levenhuk.com](http://www.levenhuk.com)  
20201225