

Discovery Report WA60 Weather Station

EN User Manual
BG Ръководство за потребителя
CZ Návod k použití
DE Bedienungsanleitung
ES Guía del usuario
HU Használati útmutató

IT Guida all'utilizzo
PL Instrukcja obsługi
PT Manual do usuário
RU Инструкция по эксплуатации
TR Kullanım kılavuzu



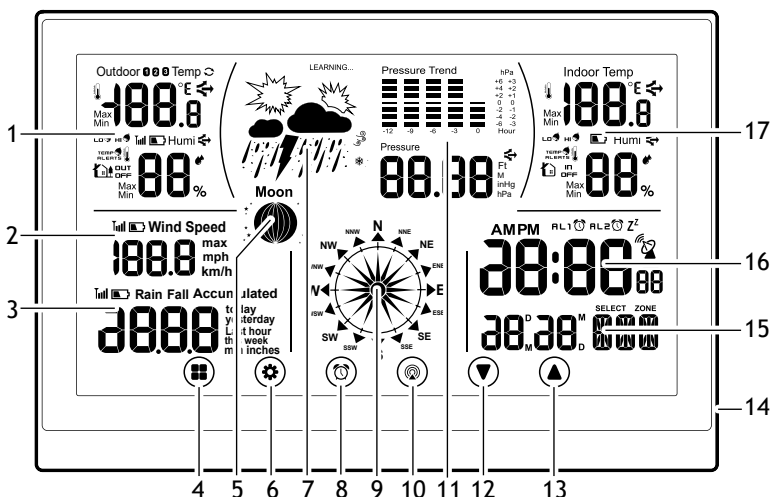
© 2022 Discovery or its subsidiaries and affiliates. Discovery and related logos are trademarks of Discovery or its subsidiaries and affiliates, used under license. All rights reserved. [Discovery.com](https://www.discovery.com)

Levenhuk Inc. (USA): 928 E 124th Ave. Ste D, Tampa, FL 33612, USA, +1-813-468-3001, contact_us@levenhuk.com.
Levenhuk Optics s.r.o. (Europe): V Chotejně 700/7, 102 00 Prague 102, Czech Republic, +420 737-004-919, sales-info@levenhuk.cz. Levenhuk® is a registered trademark of Levenhuk, Inc. © 2006–2022 Levenhuk, Inc. All rights reserved. www.levenhuk.com

 **discovery+**
STREAM WHAT YOU LOVE
ALL IN ONE PLACE

 **Discovery**


levenhuk
Zoom&Joy



EN Base station

- 1 Outdoor temperature and humidity
- 2 Wind speed
- 3 Rainfall
- 4 MODE button
- 5 Moon phase
- 6 SET button
- 7 Weather forecast
- 8 ALARM button
- 9 Wind direction
- 10 CHANNEL button
- 11 Atmospheric pressure
- 12 UP/+ button
- 13 DOWN/- button
- 14 Power input
- 15 Calendar
- 16 Time display
- 17 Indoor temperature and humidity
- 18 Wall mount holes
- 19 Battery compartment
- 20 Table stand (fold-out)
- 21 SNOOZE/LIGHT button

BG Базова станция

- 1 Външна температура и влажност
- 2 Скорост на вятъра
- 3 Валежи
- 4 Бутон MODE (РЕЖИМ)
- 5 Фаза на луната
- 6 Бутон SET (НАСТРОЙКА)
- 7 Прогноза за времето
- 8 Бутон ALARM (АЛАРМА)
- 9 Посока на вятъра
- 10 Бутон CHANNEL (КАНАЛ)
- 11 Атмосферно налягане
- 12 Бутон UP (НАГОРЕ)/+
- 13 Бутон DOWN/- (НАДОЛУ/-)
- 14 Вход за захранването
- 15 Календар
- 16 Дисплей за време
- 17 Температура и влажност на закрито
- 18 Отвори за монтаж върху стена
- 19 Отделение за батериите
- 20 Настолен статив (разгъващ се)
- 21 Бутон SNOOZE/LIGHT (ПОВТОРЕНИЕ/ ОСВЕТАВАНЕ)

CZ Základnová stanice

- 1 Venkovní teplota a vlhkost
- 2 Rychlost větru
- 3 Dešťové srážky
- 4 Tlačítko MODE (režim)
- 5 Fáze Měsíce
- 6 Tlačítko SET (nastavit)
- 7 Předpověď počasí
- 8 Tlačítko ALARM (budík)
- 9 Směr větru
- 10 Tlačítko CHANNEL (kanál)
- 11 Atmosférický tlak
- 12 Tlačítko UP/+ (nahoru/+)
- 13 Tlačítko DOWN/- (dolu/-)
- 14 Vstup napájení
- 15 Kalendář
- 16 Zobrazení času
- 17 Vnitřní teplota a vlhkost
- 18 Otvory pro montáž na stěnu
- 19 Příhrádka pro baterie
- 20 Stolní stojan (rozkládací)
- 21 Tlačítko SNOOZE/LIGHT (odložení buzení / osvětlení)

DE Basisstation

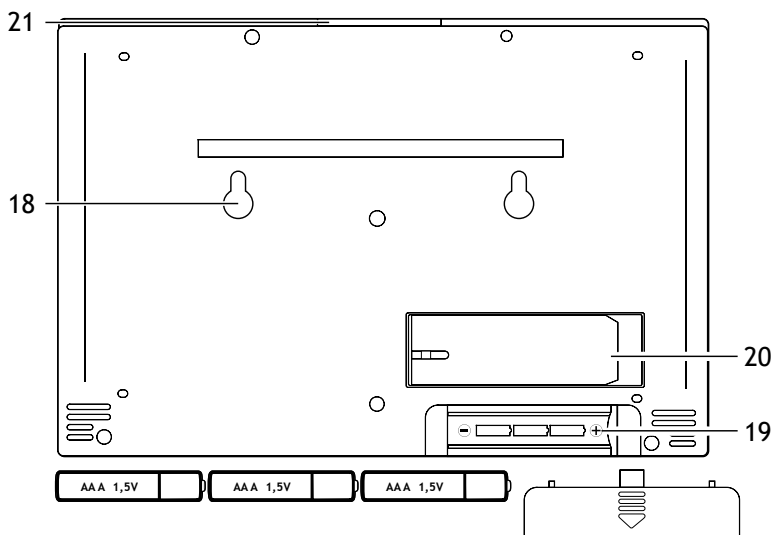
- 1 Außentemperatur und -feuchtigkeit
- 2 Windgeschwindigkeit
- 3 Regenmenge
- 4 MODE-Taste (Modus)
- 5 Mondphase
- 6 SET-Taste (Einstellen)
- 7 Wetterprognose
- 8 ALARM-Taste
- 9 Windrichtung
- 10 CHANNEL-Taste (Kanal)
- 11 Atmosphärischer Druck
- 12 UP/+ -Taste (nach oben/+)
- 13 DOWN/- -Taste (nach unten/-)
- 14 Stromeingang
- 15 Kalender
- 16 Zeitanzeige
- 17 Innentemperatur und -feuchtigkeit
- 18 Löcher für Wandmontage
- 19 Batteriefach
- 20 Tischständer (ausklappbar)
- 21 SNOOZE/LIGHT-Taste (Schlummer-/ Lichttaste)

ES Estación base

- 1 Temperatura y humedad exterior
- 2 Velocidad del viento
- 3 Precipitación
- 4 Botón MODE (Modo)
- 5 Fase lunar
- 6 Botón SET (Establecer)
- 7 Pronóstico del tiempo
- 8 Botón ALARM (Alarma)
- 9 Dirección del viento
- 10 Botón CHANNEL (Canal)
- 11 Presión atmosférica
- 12 Botón UP/+ (Arriba/+)
- 13 Botón DOWN/- (Abajo/-)
- 14 Entrada de corriente
- 15 Calendario
- 16 Indicador de la hora
- 17 Temperatura y humedad interior
- 18 Orificios para montaje en pared
- 19 Compartimento para pilas
- 20 Soporte de mesa (desplegable)
- 21 Botón SNOOZE/LIGHT (Repetición / Luz)

HU Alapállomás

- 1 Külső hőmérséklet és páratartalom
- 2 Szélsebesség
- 3 Zápor
- 4 MODE (MÓD) gomb
- 5 Holdfázis
- 6 SET (BEÁLLÍTÁS) gomb
- 7 Időjárás-előrejelzés
- 8 ALARM (RIASZTÁS) gomb
- 9 Szélirány
- 10 CHANNEL (CSATORNA) gomb
- 11 Légköri nyomás
- 12 UP/+ (FEL) gomb
- 13 DOWN/- (LE/-) gomb
- 14 Tápbemenet
- 15 Naptár
- 16 Idő kijelzése
- 17 Belső hőmérséklet és páratartalom
- 18 Furatok a falra szereléshez
- 19 Elemtartó rekesz
- 20 Asztali állvány (kihajtható)
- 21 SNOOZE/LIGHT (SZUNDI/VILÁGÍTÁS) gomb



IT Stazione base

- 1 Temperatura e umidità all'esterno
- 2 Velocità del vento
- 3 Quantità di pioggia
- 4 Pulsante MODE (Modalità)
- 5 Fase lunare
- 6 Pulsante SET (Imposta)
- 7 Previsioni del tempo
- 8 Pulsante ALARM (Sveglia)
- 9 Direzione del vento
- 10 Pulsante CHANNEL (Canale)
- 11 Pressione atmosferica
- 12 Pulsante UP/+ (Su/+)
- 13 Pulsante DOWN/- (Giù/-)
- 14 Ingresso alimentazione
- 15 Calendario
- 16 Orario
- 17 Temperatura e umidità all'interno
- 18 Fori per il fissaggio al muro
- 19 Comparto batterie
- 20 Supporto da tavolo (pieghevole)
- 21 Pulsante SNOOZE/LIGHT (Posponi/Luce)

RU Основной блок

- 1 Температура и влажность на улице
- 2 Скорость ветра
- 3 Осадки
- 4 Кнопка MODE (Режим)
- 5 Фаза Луны
- 6 Кнопка SET (Настройка)
- 7 Прогноз погоды
- 8 Кнопка ALARM (Будильник)
- 9 Направление ветра
- 10 Кнопка CHANNEL (Канал)
- 11 Атмосферное давление
- 12 Кнопка UP/+ (Вверх/+)
- 13 Кнопка DOWN/- (Вниз/-)
- 14 Разъем питания
- 15 Календарь
- 16 Отображение времени
- 17 Температура и влажность в помещении
- 18 Отверстия для крепления
- 19 Батарейный отсек
- 20 Настольная подставка (складная)
- 21 Кнопка SNOOZE /LIGHT (Повтор/Подсветка)

PL Stacja główna

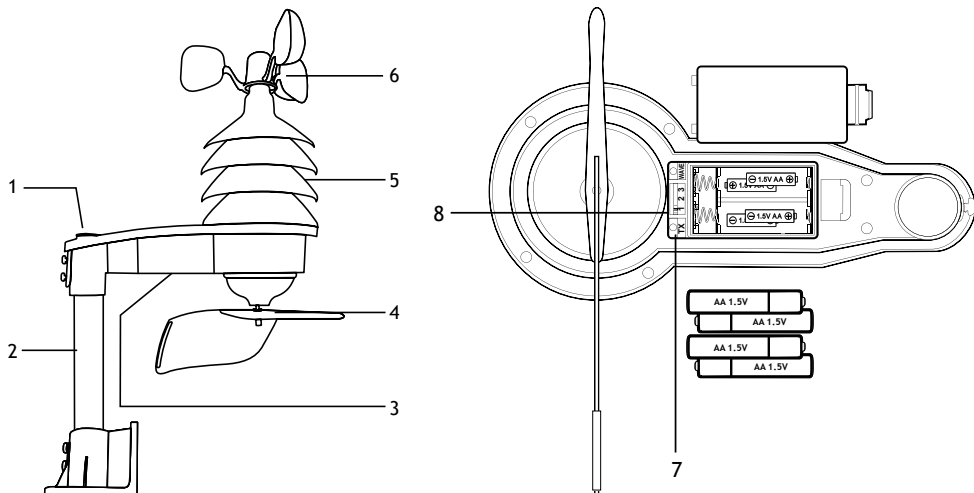
- 1 Temperatura i wilgotność na zewnątrz
- 2 Prędkość wiatru
- 3 Opady deszczu
- 4 Przycisk MODE (TRYB)
- 5 Faza księżycy
- 6 Przycisk SET (USTAW)
- 7 Prognoza pogody
- 8 Przycisk ALARM (BUDZIK)
- 9 Kierunek wiatru
- 10 Przycisk CHANNEL (KANAL)
- 11 Ciśnienie atmosferyczne
- 12 Przycisk UP/+ (W GÓRĘ/+)
- 13 Przycisk DOWN/- (W DÓŁ/-)
- 14 Gniazdo zasilania
- 15 Kalendarz
- 16 Wskazanie godziny
- 17 Temperatura i wilgotność w pomieszczeniu
- 18 Otwory do montażu ściennego
- 19 Komora baterii
- 20 Statyw stolowy (rozkładany)
- 21 Przycisk SNOOZE/LIGHT (DRZEMKA/OŚWIETLENIE)

PT Estação base

- 1 Temperatura e humidade exteriores
- 2 Velocidade do vento
- 3 Chuva
- 4 Botão MODE (modos)
- 5 Fase lunar
- 6 Botão SET (definir)
- 7 Previsão do tempo
- 8 Botão ALARM (alarme)
- 9 Direção do vento
- 10 Botão CHANNEL (canal)
- 11 Pressão atmosférica
- 12 Botão UP/+ (para cima/+)
- 13 Botão DOWN/- (para baixo/-)
- 14 Entrada de energia
- 15 Calendário
- 16 Indicação do tempo
- 17 Temperatura e humidade interiores
- 18 Orifícios de montagem na parede
- 19 Compartimento das pilhas
- 20 Suporte de mesa (desdobrável)
- 21 Botão SNOOZE/LIGHT (suspender/luz)

TR Gösterim konsolu

- 1 Dış sıcaklık ve nem
- 2 Rüzgar hızı
- 3 Yağış
- 4 MODE (MOD) düğmesi
- 5 Ay evresi
- 6 SET (AYARLA) düğmesi
- 7 Hava tahmini
- 8 ALARM düğmesi
- 9 Rüzgar yönü
- 10 CHANNEL (KANAL) düğmesi
- 11 Atmosfer basıncı
- 12 UP/+ (YUKARI/+) düğmesi
- 13 DOWN/- (AŞAĞI/-) düğmesi
- 14 Güç girişi
- 15 Takvim
- 16 Saat ekranı
- 17 İç sıcaklık ve nem
- 18 Duvar montaj delikleri
- 19 Pil bölmesi
- 20 Masa standı (açılır-kapanır)
- 21 SNOOZE/LIGHT (ERTELE/İŞİK) düğmesi



EN Wind sensor

- 1 Compass
- 2 Pole
- 3 Battery compartment
- 4 Wind direction sensor
- 5 Location of the temperature and humidity sensor
- 6 Wind speed sensor
- 7 TX button
- 8 Channel switch

DE Windsensor

- 1 Kompass
- 2 Stange
- 3 Batteriefach
- 4 Windrichtungssensor
- 5 Standort des Temperatur- und Feuchtigkeitssensors
- 6 Windgeschwindigkeitssensor
- 7 TX-Taste (Zeit)
- 8 Kanalschalter

IT Sensore di vento

- 1 Bussola
- 2 Colonna
- 3 Comparto batterie
- 4 Sensore della direzione del vento
- 5 Posizione del sensore di temperatura e umidità
- 6 Sensore della velocità del vento
- 7 Pulsante TX
- 8 Interruttore dei canali

RU Датчик ветра

- 1 Компас
- 2 Стержень для крепления
- 3 Батарейный отсек
- 4 Датчик направления ветра
- 5 Датчик температуры и влажности
- 6 Датчик скорости ветра
- 7 Кнопка TX
- 8 Переключатель каналов

BG Датчик за вятър

- 1 Компас
- 2 Прът на стойката
- 3 Отделение за батериите
- 4 Датчик за посоката на вятъра
- 5 Местоположение на датчика за температура и влажност
- 6 Датчик за скоростта на вятъра
- 7 Бутон TX
- 8 Превключвател за каналите

ES Sensor de viento

- 1 Brújula
- 2 Barra vertical
- 3 Compartimento para pilas
- 4 Sensor de dirección del viento
- 5 Ubicación del sensor de temperatura y humedad
- 6 Sensor de velocidad del viento
- 7 Botón TX
- 8 Selector de canal

PL Czujnik wiatru

- 1 Kompas
- 2 Słupek
- 3 Komora baterii
- 4 Czujnik kierunku wiatru
- 5 Miejsce montażu czujnika temperatury i wilgotności
- 6 Czujnik prędkości wiatru
- 7 Przycisk TX
- 8 Przełącznik kanałów

TR Rüzgar sensörü

- 1 Pusula
- 2 Direk
- 3 Pil bölmesi
- 4 Rüzgar yönü sensörü
- 5 Sıcaklık ve nem sensörünün konumu
- 6 Rüzgar hızı sensörü
- 7 TX düğmesi
- 8 Kanal düğmesi

CZ Snímač větru

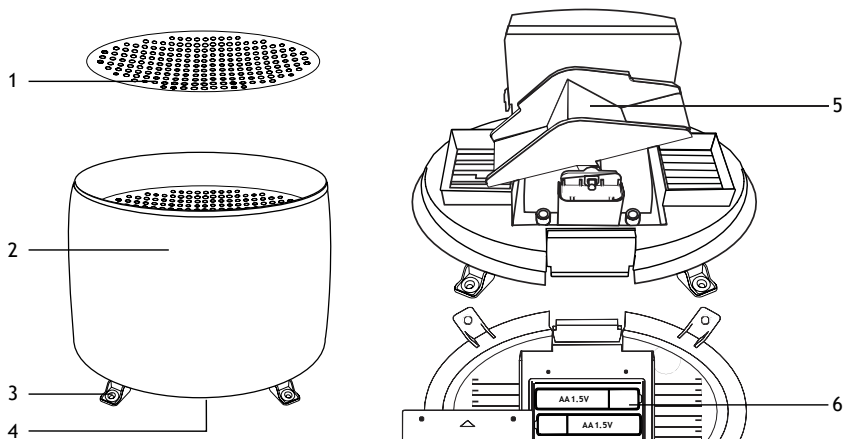
- 1 Kompas
- 2 Sloupek
- 3 Příkladka pro baterie
- 4 Snímač směru větru
- 5 Umístění snímače teploty a vlhkosti
- 6 Snímač rychlosti větru
- 7 Tlačítko TX
- 8 Přepínač kanálů

HU Szélérzékelő

- 1 Iránytű
- 2 Rúd
- 3 Elemtartó rekesz
- 4 Szélirány-érzékelő
- 5 A hőmérséklet- és páratartalom-érzékelő helye
- 6 Szélesség-érzékelő
- 7 TX gomb
- 8 Csatornaváltó kapcsoló

PT Sensor de vento

- 1 Bússola
- 2 Haste
- 3 Compartimento das pilhas
- 4 Sensor de direção do vento
- 5 Localização do sensor de temperatura e humidade
- 6 Sensor de velocidade do vento
- 7 Botão TX
- 8 Seletor de canais



EN Rain gauge

- 1 Protective filter
- 2 Rain collector
- 3 Mounting feet
- 4 Tab to detach the rain collector
- 5 Tipping bucket
- 6 Battery compartment

BG Датчик за вятър

- 1 Защитен филтър
- 2 Съд за събиране на дъжд
- 3 Монтажни крака
- 4 Език за освобождаване на съда за събиране на дъжд
- 5 Преобръщаща се кофа
- 6 Отделение за батериите

CZ Srážkoměr

- 1 Ochranný filtr
- 2 Kolektor dešťové vody
- 3 Montážní patky
- 4 Jazyček pro odpojení kolektoru dešťové vody
- 5 Vyklápací kbelík
- 6 Příhradka pro baterie

DE Regensmesser

- 1 Schutzfilter
- 2 Regensammler
- 3 Montagesockel
- 4 Lasche, um den Regensammler zu entfernen
- 5 Kippbecher
- 6 Batteriefach

ES Pluviómetro

- 1 Filtro protector
- 2 Colector de lluvia
- 3 Pies de soporte
- 4 Lengüeta para separar el colector de lluvia
- 5 Cubeta basculante
- 6 Compartimento para pilas

HU Csapadékmérő

- 1 Védősűrő
- 2 Csapadékgyűjtő
- 3 Szerelőtalp
- 4 Fül a csapadékgyűjtő leválasztásához
- 5 Billenőtartály
- 6 Elemtartó rekesz

IT Pluviometro

- 1 Filtro protettivo
- 2 Collettore di pioggia
- 3 Piedini di fissaggio
- 4 Linguetta per rimuovere il collettore di pioggia
- 5 Meccanismo di ribaltamento
- 6 Comparto batterie

PL Deszczomierz

- 1 Filtr ochronny
- 2 Kolektor deszczu
- 3 Stopka montażowa
- 4 Wypuszka do demontażu czujnika deszczu
- 5 Zbiorniczek
- 6 Komora baterii

PT Pluviómetro

- 1 Filtro protetor
- 2 Coletor de chuva
- 3 Pés de montagem
- 4 Patilha para retirar o coletor de chuva
- 5 Balde basculante
- 6 Compartimento das pilhas

RU Дождемер

- 1 Защитный фильтр
- 2 Дождеприемник
- 3 Лапы крепления
- 4 Язычок для отсоединения дождеприемника
- 5 Опрокидывающийся ковш
- 6 Батарейный отсек

TR Yağmur göstergesi

- 1 Koryuyucu filtre
- 2 Yağmur toplayıcı
- 3 Montaj ayağı
- 4 Yağmur toplayıcı ayırma tirnağı
- 5 Devirmeli kova
- 6 Pil bölmesi

EN Discovery Report WA60 Weather Station

The kit includes: base station, wind sensor, rain gauge, DC adapter, user manual, and warranty.



Caution! Please remember that mains voltage in most European countries is 220–240V. If you want to use your device in a country with a different mains voltage standard, remember that use of a converter is absolutely necessary.

Getting started

Base station

- Connect the power cable to the device and connect the DC adapter to the AC power supply; or
- Open the battery compartment cover (20) and insert 3 batteries according to the correct polarity. Close the cover.



NOTE! It is recommended to use an adapter for the continuous operation of the base station, although battery power is also possible. In battery mode, the backlight turns on only for a short period of time.

- Once the batteries are installed, the base station will search for the outdoor units for the first 5 minutes. After that, the base station can be manually set to receive. To do this, press the **CHANNEL** button for 2 seconds.
- The effective range may differ depending on the unit's position. Due to interference (various remote control devices, etc.), the maximum distance between the base unit and the outdoor unit may be significantly reduced. In such cases, we suggest moving the base unit and sensor a little. Sometimes it is enough to move one of these units just a few inches!

Wind sensor

- Place the base station and the remote sensor within the effective transmission range. Open the battery compartment cover (3) and insert 4 batteries according to the correct polarity.
- Set the channel switch (8) to the same channel selected on the base station, and then press the **TX** button. Check that the base station has received the signal. Press the **TX** button once more, if necessary. If the reception is successful, the base station display will show the temperature and humidity. Close the battery compartment cover.
- Insert the aluminum pole (2) into the mounting base and fasten it with the screws (included). Screw the base to a wooden or stone wall using the supplied screws and plugs. Slide the upper part of the wind sensor onto the pole and fasten it with the screws.
- The wind speed sensor, temperature, humidity, and wind direction part must be facing south. Orientate the outdoor wind unit using the compass to ensure the correct wind direction.

Rain gauge

- Open the battery compartment cover (6) and insert 2 batteries according to the correct polarity. Close the cover and secure it with the screws.
- Fasten the rain gauge by inserting the screws through the mounting feet (3). To replace the batteries, first unscrew the rain gauge.

Time setting

Press the **MODE** button. Hold the **SET** button for 3 seconds. The digits that are to be set are flashing. Press **UP** or **DOWN** to change the value, and then press **SET** to continue.

The setting order: Time zone > Day Saving Time > Year > Month-Day or Day-Month > Month > 12/24h > Hour > Minutes > Seconds.

Alarm setting

- To activate alarm 1 and/or alarm 2, press the **ALARM** button.
- To set alarm 1 and alarm 2, first press the **MODE** button 2 times. Hold the **SET** button for 3 seconds. The digits that are to be set are flashing. Press **UP** or **DOWN** to change the value, and then press the **SET** button to continue.
- The setting order: Alarm 1 hours > Alarm 1 minutes > Alarm 2 hours > Alarm 2 minutes.
- When the alarm rings, press **SNOOZE/LIGHT** to activate the snooze function. The alarm will sound again in 5 minutes.
- Press any button to silence the alarm until the set alarm time is reached again.

Atmospheric pressure height setting

Press the **MODE** button 3 times. Hold the **SET** button for 3 seconds. The digits that are to be set are flashing. Press **UP** or **DOWN** to insert the desired height.

Temperature alert setting

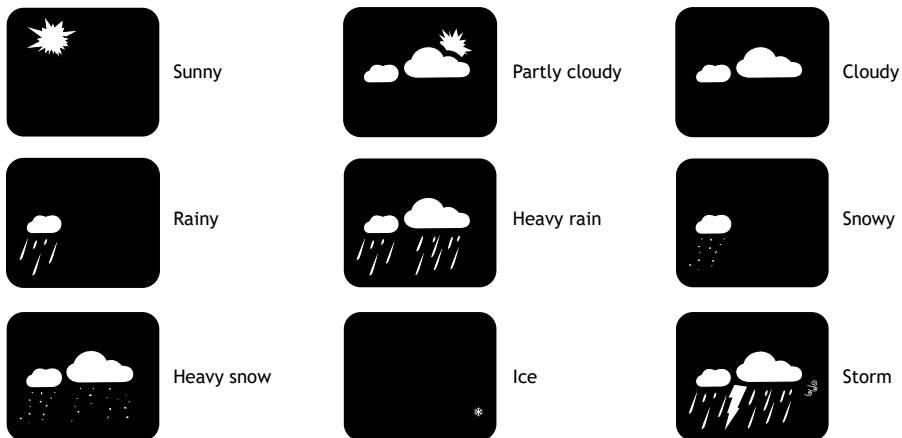
Press the **MODE** button 4 times. Hold the **SET** button for 3 seconds. The digits that are to be set are flashing. Press **UP** or **DOWN** to change the value. Press the **SET** button to continue.

The setting order: Low outdoor temperature alert > Low outdoor temperature alert on/off > High outdoor temperature alert > High outdoor temperature alert on/off > Low indoor temperature alert > Low indoor temperature alert on/off > High indoor temperature alert > High indoor temperature alert on/off.

Units of measurement

- Press the **SET** button to switch between °C and °F.
- Press the **MODE** button 3 times. Hold the **SET** button for 3 seconds. Press the **SET** button again to enter the setting mode. The digits that are to be set are flashing. Press **UP** or **DOWN** to switch between inHg, hPa, and mmHg.
- Press the **MODE** button 5 times. Hold the **SET** button for 3 seconds. The digits that are to be set are flashing. Press **UP** or **DOWN** to switch between mm and inches.
- Press the **MODE** button 6 times. Hold the **SET** button for 3 seconds. The digits that are to be set are flashing. Press **UP** or **DOWN** to switch between km/h and mph.

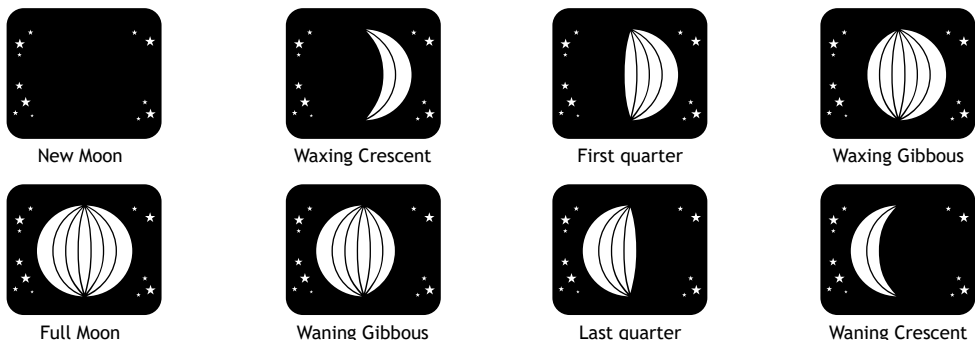
Weather forecast



History record

- Press the **UP** button to display the MAX./MIN. wind speed, temperature, and humidity. Hold the **UP** button to clear the history records.
- Press the **DOWN** button to display the rainfall history. The display order: today > past hour > yesterday > this week. Hold the **DOWN** button to clear the history records.

Moon phase



The moon phase display is linked to the date, year, and time. The stars are displayed between 6 pm and 6 am.

Specifications

Base station	
Air humidity, units of measurement	% (RH)
Operating humidity range	1... 99%
Temperature, units of measurement	° F, ° C
Operating temperature range (indoors)	-10... +50 °C (+14... +122 °F), HI/LO when out of range
Air pressure, units of measurement	inHg, hPa, mmHg
Operating air pressure range	23.6... 32.4inHg (800... 1100hPa)
Screen	color, with an LED backlight
Power supply	AC/DC adapter 5V 300mA (included), 3 AAA batteries (not included)
Dimensions	191.6x127x16mm (7.5x5x0.6in.)

Outdoor units	
Radio signal frequency	433.92MHz
Radio signal radius	100m (328ft.)
Operating temperature range (outdoors)	-40... +70 °C (-40... +158 °F), HI/LO when out of range
Wind direction	360°; 16 directions
Wind speed, units of measurement	mph, km/h
Wind speed range	0... 159km/h (0... 99mph)
Precipitations, units of measurement	mm, in.
Operating precipitations range	0... 5994.4mm (0–236in.)
Power supply (wind sensor)	4 AA batteries (not included)
Power supply (rain gauge)	2 AA batteries (not included)
Dimensions (wind sensor)	152x279x393mm (5.9x10.9x15.4in.)
Dimensions (rain gauge)	166x105.5x118mm (6.5x4.1x4.6in.)

The manufacturer reserves the right to make changes to the product range and specifications without prior notice.

Care and maintenance

- Take the necessary precautions when using the device with children or others who have not read or who do not fully understand these instructions.
- Do not try to disassemble the device on your own for any reason. For repairs and cleaning of any kind, please contact your local specialized service center.
- Protect the device from sudden impact and excessive mechanical force.
- Store the device in a dry, cool place away from hazardous acids and other chemicals, away from heaters, open fire, and other sources of high temperatures.
- Operate the device only in a completely dry environment and do not touch the device with wet or damp body parts.
- Only use accessories and spare parts for this device that comply with the technical specifications.
- Check this device and its cables and connections for any possible damage before use.
- Never attempt to operate a damaged device or a device with damaged electrical parts! Damaged parts must be replaced immediately by an authorized service agent.
- If a part of the device or battery is swallowed, seek medical attention immediately.
- **Children should use the device under adult supervision only.**

Battery safety instructions

Always purchase the correct size and grade of battery most suitable for the intended use. Always replace the whole set of batteries at one time; taking care not to mix old and new ones, or batteries of different types. Clean the battery contacts and also those of the device prior to battery installation. Make sure the batteries are installed correctly with regard to polarity (+ and -). Remove batteries from equipment that is not to be used for an extended period of time. Remove used batteries promptly. Never short-circuit batteries as this may lead to high temperatures, leakage, or explosion. Never heat batteries in order to revive them. Do not disassemble batteries. Remember to switch off devices after use. Keep batteries out of the reach of children, to avoid risk of ingestion, suffocation, or poisoning. Utilize used batteries as prescribed by your country's laws.

Levenhuk Warranty

Levenhuk products, except for their accessories, carry a **2-year warranty** against defects in materials and workmanship. All Levenhuk accessories are warranted to be free of defects in materials and workmanship for **six months** from the purchase date. The warranty entitles you to the free repair or replacement of the Levenhuk product in any country where a Levenhuk office is located if all the warranty conditions are met.

For further details, please visit: www.levenhuk.com/warranty

If warranty problems arise or if you need assistance in using your product, please contact the local Levenhuk branch.

BG Метеорологична станция **Discovery Report WA60**

Комплектът включва: основна станция, датчик за вятър, дъждомер, постояннотоков адаптер, ръководство за потребителя и гаранция.



Внимание! Моля, не забравяйте, че мрежовото напрежение в повечето европейски държави е 220–240 V. Ако желаете да използвате Вашето устройство в държава с различен стандарт за мрежовото напрежение, не забравяйте, че използването на преобразувател е абсолютно необходимо.

Да започнем

Base station

- Свържете захранващия кабел към устройството и постояннотоковия адаптер към захранващата мрежа; или
- Отворете капака на батерийното отделение (20) и поставете 3 батерии, като спазвате знаците за поляритета. Затворете капака.



ЗАБЕЛЕЖКА! За непрекъсната работа на базовата станция се препоръчва използване на адаптер, въпреки че е възможно и захранване с батерии. В режим на захранване с батерии задната светлина се включва само за кратко време.

- Щом батериите бъдат поставени, базовата станция ще търси външните тела през първите 5 минути. След това базовата станция може да бъде настроена ръчно в режим на приемане. За да направите това, натиснете бутона **CHANNEL** (КАНАЛ) в продължение на 2 секунди.
- Ефективният обхват може да се различава в зависимост от позицията на устройството. Поради смущения (от различни устройства за дистанционно управление и др.) максималното разстояние между базовия модул и външния модул може да намалее значително. В такива случаи предлагаме да преместите малко базовия модул и датчика. Понякога е достатъчно да преместите едното от тези устройства само с няколко сантиметра!

Датчик за вятър

- Разположете базовата станция и дистанционния датчик в границите на ефективния обхват на предаване. Отворете капака на батерийното отделение (3) и поставете 4 батерии, като спазвате знаците за поляритета.
- Установете превключвателя за канала (8) на същия канал, като избрания на базовата станция, и след това натиснете бутона **TX**. Проверете дали базовата станция е получила сигнала. Ако е необходимо, натиснете отново бутона **TX**. Ако приемането е успешно, на дисплея на базовата станция ще се покажат температурата и влажността. Затворете капака на отделението за батериите.
- Вкарайте алуминиевия прът (2) в монтажната основа и го закрепете с винтовете (включени са). Завинтете основата към дървена или каменна стена чрез доставените винтове и дюбели. Наденете горната част на датчика за вятър върху пръта и го затегнете с винтовете.
- Датчикът за скорост на вятъра, температура, влажност и частта за посока на вятъра трябва да бъдат обърнати на юг. Ориентирайте външния модул за вятър чрез компас, за да се гарантира правилното показание за посока на вятъра.

Дъждомер

- Отворете капака на батерийното отделение (6) и поставете 2 батерии, като спазвате знаците за поляритета. Затворете капака и го закрепете с винтовете.
- Закрепете дъждомера, като вкарате винтовете през монтажните крака (3). За да смените батериите, първо развийте датчика за дъжд.

Настройка на времето

Натиснете бутона **MODE** (РЕЖИМ). След това натиснете и задръжте натиснат бутона **SET** (НАСТРОЙКА) в продължение на 3 секунди. Цифрите, които трябва да бъдат настроени, мигат. Натискайте **UP** (НАГОРЕ) или **DOWN** (НАДОЛУ), за да промените стойността, и след това натиснете **SET** (НАСТРОЙКА), за да продължите. Последователност на настройката: Часова зона > Лятно време > Година > Месец-Дата или Дата-Месец > Месец > 12/24 ч. > Часове > Минути > Секунди.

Настройки на алармата

- За да активирате аларма 1 и/или аларма 2, натиснете бутона **ALARM** (АЛАРМА).
- За да настроите аларма 1 и аларма 2, натиснете 2 пъти бутона **MODE** (РЕЖИМ). След това натиснете и задръжте натиснат бутона **SET** (НАСТРОЙКА) в продължение на 3 секунди. Цифрите, които трябва да бъдат настроени, мигат. Натискайте **UP** (НАГОРЕ) или **DOWN** (НАДОЛУ), за да промените стойността, и след това натиснете бутона **SET** (НАСТРОЙКА), за да продължите.
- Последователност на настройката: Аларма 1 часове > Аларма 1 минути > Аларма 2 часове > Аларма 2 минути.

- Когато алармата се включи, натиснете **SNOOZE/LIGHT** (ПОВТОРЕНИЕ/ОСВЕТЯВАНЕ), за да активирате функцията за повторение. Алармата ще се включи отново след 5 минути.
- Натиснете произволен бутон, за да заглушите алармата, докато отново не се достигне настроеното време за аларма.

Задаване на атмосферното налягане за надморската височина

Натиснете 3 пъти бутона **MODE** (РЕЖИМ). След това натиснете и задръжте натиснат бутона **SET** (НАСТРОЙКА) в продължение на 3 секунди. Цифрите, които трябва да бъдат настроени, мигат. Натискайте **UP** (НАГОРЕ) или **DOWN** (НАДОЛУ), за да зададете желаната височина.

Задаване на предупреждение за температурата

Натиснете 4 пъти бутона **MODE** (РЕЖИМ). След това натиснете и задръжте натиснат бутона **SET** (НАСТРОЙКА) в продължение на 3 секунди. Цифрите, които трябва да бъдат настроени, мигат. Натискайте **UP** (НАГОРЕ) или **DOWN** (НАДОЛУ), за да промените стойността. Натиснете бутона **SET** (НАСТРОЙКА), за да продължите. Последователност на настройката: Предупреждение за ниска външна температура > Вкл./изкл на предупреждение за ниска външна температура > Предупреждение за висока външна температура > Вкл./изкл на предупреждение за висока външна температура > Предупреждение за ниска вътрешна температура > Вкл./изкл на предупреждение за ниска вътрешна температура > Предупреждение за висока вътрешна температура > Вкл./изкл на предупреждение за висока вътрешна температура.

Измервателни единици

- Натиснете бутона **SET** (НАСТРОЙКА) за превключване между °C и °F.
- Натиснете 3 пъти бутона **MODE** (РЕЖИМ). След това натиснете и задръжте натиснат бутона **SET** (НАСТРОЙКА) в продължение на 3 секунди. Натиснете отново бутона **SET** (НАСТРОЙКА), за да влезете в режима на настройка. Цифрите, които трябва да бъдат настроени, мигат. Натискайте **UP** (НАГОРЕ) или **DOWN** (НАДОЛУ) за превключване между inHg, hPa и mmHg.
- Натиснете 5 пъти бутона **MODE** (РЕЖИМ). След това натиснете и задръжте натиснат бутона **SET** (НАСТРОЙКА) в продължение на 3 секунди. Цифрите, които трябва да бъдат настроени, мигат. Натискайте **UP** (НАГОРЕ) или **DOWN** (НАДОЛУ) за превключване между mph и инчове.
- Натиснете 6 пъти бутона **MODE** (РЕЖИМ). След това натиснете и задръжте натиснат бутона **SET** (НАСТРОЙКА) в продължение на 3 секунди. Цифрите, които трябва да бъдат настроени, мигат. Натискайте **UP** (НАГОРЕ) или **DOWN** (НАДОЛУ) за превключване между km/h и mph.

Прогноза за времето



Хронологичен запис

- Натиснете бутона **UP** (НАГОРЕ), за да се покажат МАКС./МИН. стойности на скоростта на вятъра, на температурата и влажността. Натиснете бутона **UP** (НАГОРЕ), за да изчистите хронологичните записи.
- Натиснете бутона **DOWN** (НАДОЛУ), за да се покаже хронологията на валежите. Последователност на показване: днес > през последния час > вчера > през тази седмица. Задръжте натиснат бутона **DOWN** (НАДОЛУ), за да изчистите хронологичните записи.

Фаза на луната



Новолуние



Нарастващ
полумесец



Първа четвърт



Нарастване преди
пълнолунието



Пълнолуние



Намаляване след
пълнолунието



Последна четвърт



Намаляващ
полумесец

Показването на фазата на луната е свързано с датата, годината и часа. Звездите се показват между 18 часа вечер и 6 часа сутринта.

Технически характеристики

Базова станция	
Влажност на въздуха, измервателни единици	% (относителна влажност)
Работен диапазон за влажност	1... 99%
Температура, мерни единици	°F, °C
Диапазон на работната температура (на закрито)	-10... +50 °C, HI/LO извън диапазона
Налягане на въздуха, мерни единици	inHg, hPa, mmHg
Диапазон на работното налягане	800... 1100 hPa
Екран	цветен, със светодиодна подсветка
Захранване	AC/DC адаптер 5 V 300 mA (включен е), 3 батерии AAA (не са включени)
Размери	191,6 x 127 x 16 mm

Външни модули	
Честота на радиосигнала	433,92 MHz
Обсег на радиосигнала	100 m
Диапазон на работната температура (външна)	-40... +70 °C, HI/LO извън диапазона
Посока на вятъра	360°; 16 посоки
Скорост на вятъра, мерни единици	mph, km/h
Диапазон за скоростта на вятъра	0... 159 km/h
Валежи, мерни единици	mm, in.
Работен диапазон за валежи	0... 5994,4 mm
Захранване (датчик за вятър)	4 батерии AA (не са включени)
Захранване (дъждомер)	2 батерии AA (не са включени)
Размери (датчик за вятър)	152 x 279 x 393 mm
Размери (дъждомер)	166 x 105,5 x 118 mm

Производителят си запазва правото да прави промени на гамата продукти и спецификациите им без предварително уведомление.

Грижи и поддръжка

- Предприемете необходимите превантивни мерки при използване на това устройство от деца или други лица, които не са прочели или които не са разбрали напълно тези инструкции.
- Не се опитвайте да разглобявате устройството сами по никаква причина. За ремонти и почистване, моля, обръщайте се към местния специализиран сервизен център.
- Предпазвайте устройството от внезапни удари и прекомерна механична сила.
- Съхранявайте устройството на сухо и хладно място, далеч от опасни киселини и други химикали, далеч от отоплителни уреди, открит огън и други източници на високи температури.
- Работете с устройството само в напълно суха среда и не докосвайте устройството с мокри или влажни части на тялото.
- Използвайте само принадлежности и резервни части за устройството, които отговарят на техническите спецификации.
- Преди употреба проверете устройството и неговите кабели и връзки за евентуални повреди.
- Никога не правете опит да използвате повредено устройство или устройство с повредени електрически части! Повредените части трябва незабавно да бъдат сменени в оторизиран сервиз.
- Ако някоя част от устройството или батерията бъдат погълнати, незабавно потърсете медицинска помощ.
- **Деца трябва да използват устройството само под надзора на възрастни.**

Инструкции за безопасност на батериите

Винаги купувайте батерии с правилния размер и характеристики, които са най-подходящи за предвидената употреба. Винаги сменяйте всички батерии едновременно, като внимавате да не смесите стари и нови или батерии от различен тип. Почистете контактите на батериите, както и тези на устройството, преди да поставите батериите. Уверете се, че батериите са поставени правилно по отношение на полярността (+ и -). Извадете батериите от оборудването, ако то няма да бъде използвано продължителен период от време. Извадете използваните батерии незабавно. Никога не свързвайте батерии накъсо, тъй като това може да доведе до високи температури, теч или експлозия. Никога не загривайте батерии, опитвайки се да ги използвате допълнително време. Не разлюбявайте батериите. Не забравяйте да изключите устройствата след употреба. Дръжте батериите далеч от достъпа на деца, за да избегнете риск от поглъщане, задушаване или отравяне. Изхвърляйте използваните батерии съгласно правилата в държавата Ви.

Гаранция на Levenhuk

Оптичните продукти Levenhuk имат **2-годишна гаранция** срещу дефекти в материалите и изработката. За всички принадлежности на Levenhuk се предоставя гаранция за липса на дефекти на материалите и изработката за период от **2 години** от датата на покупката на дребно. Гаранцията Ви дава право на безплатен ремонт или замяна на продукта на Levenhuk във всяка държава, в която има офис на Levenhuk, ако са изпълнени всички условия за гаранцията.

За допълнителна информация посетете нашия уебсайт: www.levenhuk.bg/garantsiya

Ако възникнат проблеми с гаранцията или ако се нуждаете от помощ за използването на Вашия продукт, свържете се с местния представител на Levenhuk.

CZ Meteorologické stanice Discovery Report WA60

Sada obsahuje: základnovou stanici, snímač větru, srážkoměr, DC adaptér, uživatelskou příručku a záruku.



Pozor! Mějte na paměti, že síťové napětí ve většině evropských zemí je 220–240 V. Chcete-li svůj přístroj používat v zemi s odlišnou normou síťového napětí, nezapomeňte, že je naprosto nezbytné použít napěťový měnič.

Začínáme

Základnová stanice

- K zařízení připojte napájecí kabel a DC adaptér zapojte do sítě; nebo
- Otevřete kryt příhrádky pro baterie (20) a vložte 3 baterie správnou stranou dle označení polarity. Zavřete kryt.



POZNÁMKA! Pro nepřetržitý provoz základnové stanice doporučujeme použít adaptér, i když je možné i napájení z baterií. V režimu bateriového napájení se podsvícení zapne pouze na krátkou dobu.

- Jakkmile nainstalujete baterie, bude základnová stanice prvních 5 minut vyhledávat venkovní jednotky. Poté lze základnovou stanici ručně nastavit pro příjem. Pokud to chcete provést, stiskněte tlačítko **CHANNEL** (kanál) a přidržte po dobu 2 sekund.
- Efektivní dosah se může lišit v závislosti na poloze jednotky. Kvůli rušení (různá dálková ovládání atd.) může být maximální vzdálenost mezi základní a venkovní jednotkou výrazně snížena. V takových případech doporučujeme trochu přesunout základní jednotku a snímač. Někdy stačí pouze jednu z těchto jednotek posunout o několik centimetrů!

Snímač větru

- Umístěte základnovou stanici a snímač dálkového ovládání do účinného dosahu přenosu. Otevřete kryt příhrádky pro baterie (3) a vložte 4 baterie správnou stranou dle označení polarity.
- Nastavte přepínač kanálů (8) na stejný kanál, který jste vybrali na základnové stanici, a poté stiskněte tlačítko **TX**. Zkontrolujte, zda základnová stanice přijala signál. V případě potřeby stiskněte tlačítko **TX** ještě jednou. Pokud je příjem úspěšný, na displeji základnové stanice se zobrazí teplota a vlhkost. Zavřete kryt příhrádky pro baterie.
- Vložte hliníkový sloupek (2) do montážní základny a upevněte jej pomocí šroubů (součást dodávky). Přišroubujte základnu k dřevěné nebo kamenné stěně pomocí dodaných šroubů a hmoždinek. Nasuňte horní část snímače větru na sloupek a upevněte jej pomocí šroubů.
- Snímač rychlosti větru, teploty, vlhkosti a směru větru musí směřovat na jih. K zajištění správného směru větru pomocí kompasu nasměrujte venkovní větrnou jednotku.

Srážkoměr

- Otevřete kryt příhrádky pro baterie (6) a vložte 2 baterie správnou stranou dle označení polarity. Uzavřete kryt a zajistěte jej šrouby.
- Upevněte srážkoměr zasunutím šroubů do montážních patek (3). Při výměně baterií nejprve odšroubujte srážkoměr.

Nastavení času

Stiskněte tlačítko **MODE** (režim). Stiskněte a přidržte tlačítko **SET** (nastavit) po dobu 3 sekund. Číslice na displeji, které se mají nastavit, blikají. Stisknutím tlačítka **UP** (nahoru) nebo **DOWN** (dolů) změňte hodnotu a poté pokračujte stisknutím tlačítka **SET** (nastavit).

Pořadí nastavení: Časové pásmo > Denní čas > Rok > Měsíc-den nebo Den-měsíc > Měsíc > 12/24h > Hodina > Minuty > Sekundy.

Nastavení budíku

- Pokud chcete aktivovat budík 1 a/nebo budík 2, stiskněte tlačítko **ALARM** (budík).
- Pokud chcete nastavit budík 1 a budík 2, nejprve 2x stiskněte tlačítko **MODE** (režim). Stiskněte a přidržte tlačítko **SET** (nastavit) po dobu 3 sekund. Číslice na displeji, které se mají nastavit, blikají. Stisknutím tlačítka **UP** (nahoru) nebo **DOWN** (dolů) změňte hodnotu a poté pokračujte stisknutím tlačítka **SET** (nastavit).
- Pořadí nastavení: Budík 1 hodiny > Budík 1 minuty > Budík 2 hodiny > Budík 2 minuty.
- Když budík zazvoní, stisknutím tlačítka **SNOOZE/LIGHT** (odložení buzení / osvětlení) aktivujete funkci odloženého buzení. Budík se ozve znovu za 5 minut.
- Stisknutím libovolného tlačítka budík utišíte, dokud znovu nenastane nastavený čas budíku.

Nastavení výšky atmosférického tlaku

Stiskněte 3krát tlačítko **MODE** (režim). Stiskněte a přidržte tlačítko **SET** (nastavit) po dobu 3 sekund. Číslice na displeji, které se mají nastavit, blikají. Pro nastavení požadované výšky atmosférického tlaku stiskněte tlačítko **UP** (nahoru) nebo **DOWN** (dolů).

Nastavení upozornění na teplotu

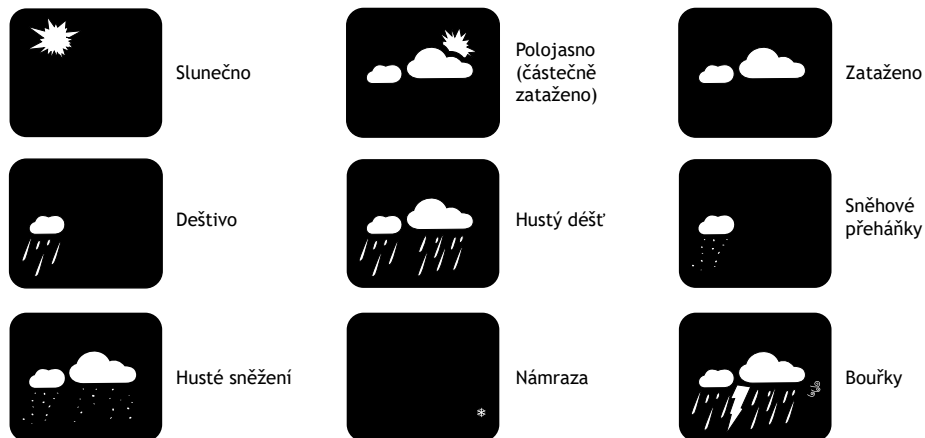
Stiskněte 4krát tlačítko **MODE** (režim). Stiskněte a přidržte tlačítko **SET** (nastavit) po dobu 3 sekund. Číslice na displeji, které se mají nastavit, blikají. Stiskněte tlačítko **UP** (nahoru) nebo **DOWN** (dolů) pro změnu hodnoty. Pokračujte stisknutím tlačítka **SET** (nastavit).

Pořadí nastavení: Upozornění na nízkou venkovní teplotu > Zapnutí/vypnutí upozornění na nízkou venkovní teplotu > Upozornění na vysokou venkovní teplotu > Zapnutí/vypnutí upozornění na vysokou venkovní teplotu > Upozornění na nízkou vnitřní teplotu > Zapnutí/vypnutí upozornění na nízkou vnitřní teplotu > Upozornění na vysokou vnitřní teplotu > Zapnutí/vypnutí upozornění na vysokou vnitřní teplotu.

Jednotky měření

- Stisknutím tlačítka **SET** (nastavit) přepnete mezi °C a °F.
- Stiskněte 3krát tlačítko **MODE** (režim). Stiskněte a přidržte tlačítko **SET** (nastavit) po dobu 3 sekund. Opětovným stisknutím tlačítka **SET** (nastavit) vstoupíte do režimu nastavení. Číslice na displeji, které se mají nastavit, blikají. Stiskněte tlačítko **UP** (nahoru) nebo **DOWN** (dolů) pro přepínání mezi inHg, hPa a mmHg.
- Stiskněte 5krát tlačítko **MODE** (režim). Stiskněte a přidržte tlačítko **SET** (nastavit) po dobu 3 sekund. Číslice na displeji, které se mají nastavit, blikají. Stiskněte tlačítko **UP** (nahoru) nebo **DOWN** (dolů) pro přepínání mezi mm a palci.
- Stiskněte 6krát tlačítko **MODE** (režim). Stiskněte a přidržte tlačítko **SET** (nastavit) po dobu 3 sekund. Číslice na displeji, které se mají nastavit, blikají. Stiskněte tlačítko **UP** (nahoru) nebo **DOWN** (dolů) pro přepínání mezi km/h a mph.

Předpověď počasí



Záznam historie

- Stisknutím tlačítka **UP** (nahoru) se na displeji zobrazí MAX./MIN. hodnoty rychlosti větru, teploty a vlhkosti. Stisknutím a přidržením tlačítka **UP** (nahoru) se záznamy historie vymažou.
- Stisknutím tlačítka **DOWN** (dolů) se na displeji zobrazí historie srážek. Pořadí zobrazení: dnes > poslední hodina > včera > tento týden. Stisknutím a přidržením tlačítka **DOWN** (dolů) se záznamy historie vymažou.

Fáze Měsíce



Nov (novoluní)



Dorůstající srpek



První čtvrt'



Dorůstající měsíc



Úplněk



Ubývající měsíc



Poslední čtvrt'



Ubývající srpek

Zobrazení fáze Měsíce je propojeno s datem, rokem a časem. Hvězdy se zobrazují mezi 18:00 a 6:00.

Technické údaje

Základnová stanice	
Vlhkost vzduchu, jednotky měření	% (relativní vlhkost)
Rozsah provozní vlhkosti	1...99%
Teplota, jednotky měření	°F, °C
Rozsah provozní teploty (vnitřní)	-10... +50 °C, HI/LO, když je mimo rozsah
Atmosférický tlak, jednotky měření	inHg, hPa, mmHg
Rozsah provozního tlaku vzduchu	800... 1100 hPa
Obrazovka	barevná, s LED podsvícením
Napájení	adaptér AC/DC 5 V 300 mA (součást dodávky), 3 baterie AAA (nejsou součástí dodávky)
Rozměry	191,6x127x16 mm

Venkovní jednotky	
Frekvence rádiového signálu	433,92 MHz
Poloměr rádiového signálu	100 m
Rozsah provozních teplot (venkovní)	-40... +70 °C, HI/LO, když je mimo rozsah
Směr větru	360°; 16 směrů
Rychlost větru, jednotky měření	mph, km/h
Rozsah rychlosti větru	0–159 km/h
Srážky, jednotky měření	mm, palce
Rozsah provozních srážek	0... 5994,4 mm
Napájení (snímač větru)	4 baterie AA (nejsou součástí dodávky)
Napájení (srážkoměr)	2 baterie AA (nejsou součástí dodávky)
Rozměry (snímač větru)	152x279x393 mm
Rozměry (srážkoměr)	166x105,5x118 mm

Výrobce si vyhrazuje právo bez předchozího upozornění měnit sortiment a specifikace výrobků.

Péče a údržba

- Při použití tohoto přístroje dětmi nebo osobami, které tento návod nečetly nebo s jeho obsahem nebyly plně srozuměny, přijměte nezbytná preventivní opatření.
- Z žádného důvodu se nepokoušejte přístroj rozebírat. S opravami veškerého druhu se obračejte na své místní specializované servisní středisko.
- Přístroj chraňte před prudkými nárazy a nadměrným mechanickým namáháním.
- Přístroj ukládejte na suchém, chladném místě, mimo dosah nebezpečných kyselin nebo jiných chemikálií, topných těles, otevřeného ohně a jiných zdrojů vysokých teplot.
- Zařízení používejte pouze ve zcela suchém prostředí a nedotýkejte se zařízení mokrymi nebo vlhkými částmi těla.
- Pro toto zařízení používejte pouze příslušenství a náhradní díly, které splňují technické specifikace.
- Před použitím toto zařízení a jeho kabely a připojení zkontrolujte, zda nedošlo k poškození.
- Nikdy se nepokoušejte provozovat poškozené zařízení nebo zařízení s poškozenými elektrickými díly! Poškozené díly musí být okamžitě vyměněny prostřednictvím zástupce autorizovaného servisního střediska.
- Pokud dojde k požití částí zařízení nebo baterie, okamžitě vyhledejte lékařskou pomoc.
- **Děti by měly používat přístroj pouze pod dohledem dospělé osoby.**

Bezpečnostní pokyny týkající se baterií

Vždy nakupujte baterie správné velikosti a typu, které jsou nejvhodnější pro zamýšlený účel. Při výměně vždy nahrazujte celou sadu baterií a dbejte na to, abyste nemíchali staré a nové baterie, případně baterie různých typů. Před instalací baterií vyčistěte kontakty na baterii i na přístroji. Ujistěte se, zda jsou baterie instalovány ve správné polaritě (+ resp. -). V případě, že zařízení nebudete delší dobu používat, vyjměte z něj baterie. Použité baterie včas vyměňujte. Baterie nikdy nezkratujte, mohlo by to vést ke zvýšení teploty, úniku obsahu baterie nebo k explozi. Baterie se nikdy nepokoušejte oživit zahříváním. Nepokoušejte se rozebírat baterie. Po použití nezapomeňte přístroj vypnout. Baterie uchovávejte mimo dosah dětí, abyste předešli riziku spolknutí, vdechnutí nebo otravy. S použitými bateriemi nakládejte v souladu s vašimi vnitrostátními předpisy.

Záruka Levenhuk

Na optické výrobky Levenhuk je poskytována **2 letá záruka** na vady materiálu a provedení.

Na veškeré příslušenství značky Levenhuk se poskytuje záruka, že po dobu **2 let** od data zakoupení v maloobchodní prodejně bude bez vad materiálu a provedení. Tato záruka vám v případě splnění všech záručních podmínek dává nárok na bezplatnou opravu nebo výměnu výrobku značky Levenhuk v libovolné zemi, v níž se nachází pobočka společnosti Levenhuk.

Další informace – navštivte naše webové stránky: www.levenhuk.cz/zaruka

V případě problémů s uplatněním záruky, nebo pokud budete potřebovat pomoc při používání svého výrobku, obraťte se na místní pobočku společnosti Levenhuk.

DE Discovery Report WA60 Wetterstation

Das Set enthält: Basisstation, Windsensor, Regenschirm, Gleichstromadapter, Bedienungsanleitung und Garantiekarte.



Achtung! In den meisten europäischen Ländern beträgt die Netzspannung 220–240 V. Soll das Gerät in einem Land mit abweichender Netzspannung eingesetzt werden, ist unbedingt ein Spannungswandler zu verwenden.

Erste Schritte

Basisstation

- Schließen Sie das Netzkabel an das Gerät an und verbinden Sie den Gleichstromadapter mit dem Stromnetz; oder
- Öffnen Sie den Batteriefachdeckel (20) und legen Sie 3 Batterien entsprechend der Polarität ein. Schließen Sie den Deckel.



HINWEIS! Es wird empfohlen, für den Dauerbetrieb der Basisstation einen Adapter zu verwenden, obwohl ein Batteriebetrieb auch möglich ist. Im Batteriebetrieb schaltet sich die Hintergrundbeleuchtung nur für eine kurze Zeitspanne ein.

- Nach dem Einlegen der Batterien sucht die Basisstation in den ersten 5 Minuten nach den Außeneinheiten. Danach kann die Basisstation manuell auf Empfang gestellt werden. Drücken Sie dazu die **CHANNEL**-Taste (Kanal) für 2 Sekunden.
- Die tatsächliche Reichweite kann je nach Position des Geräts unterschiedlich sein. Aufgrund von Interferenzen (verschiedene Fernbedienungsgeräte usw.) kann sich die maximale Entfernung zwischen dem Basisgerät und der Außeneinheit erheblich verringern. In solchen Fällen empfehlen wir, das Basisgerät und den Sensor ein wenig zu verschieben. Manchmal reicht es aus, eine der beiden Einheiten schon ein paar Zentimeter zu verschieben!

Windsensor

- Platzieren Sie die Basisstation und den Fernsensor innerhalb des effektiven Sendebereichs. Öffnen Sie den Batteriefachdeckel (3) und legen Sie 4 Batterien entsprechend der Polarität ein.
- Stellen Sie den Kanalschalter (8) auf denselben Kanal, der an der Basisstation eingestellt ist, und drücken Sie die **TX**-Taste. Prüfen Sie, ob die Basisstation das Signal empfangen hat. Drücken Sie die **TX**-Taste ggf. noch einmal. Wenn der Empfang erfolgreich war, zeigt das Display der Basisstation die Temperatur und die Luftfeuchtigkeit an. Schließen Sie den Batteriefachdeckel wieder.
- Stecken Sie die Aluminiumstange (2) in den Montagesockel und befestigen Sie ihn mit den Schrauben (im Lieferumfang enthalten). Schrauben Sie den Sockel mit den mitgelieferten Schrauben und Dübeln an eine Holz- oder Steinwand. Schieben Sie den oberen Teil des Windsensors auf die Stange und befestigen Sie ihn mit den Schrauben.
- Der Sensor für Windgeschwindigkeit, für die Temperatur, Luftfeuchtigkeit und Windrichtung muss nach Süden ausgerichtet sein. Richten Sie das Außenwindgerät mit Hilfe des Kompasses aus, um die richtige Anzeige der Windrichtung zu gewährleisten.

Regenschirm

- Öffnen Sie den Batteriefachdeckel (6) und legen Sie 2 Batterien entsprechend der Polarität ein. Schließen Sie den Deckel und sichern Sie ihn mit den Schrauben.
- Befestigen Sie den Regenschirm, indem Sie die Schrauben durch die Montagefüße (3) stecken. Um die Batterien auszutauschen, schrauben Sie zuerst den Regenschirm ab.

Zeiteinstellung

Drücken Sie auf die **MODE**-Taste (Modus). Halten Sie die **SET**-Taste (Einstellen) 3 Sekunden lang gedrückt. Die Werte zum Einstellen blinken. Drücken Sie **UP** (nach oben) oder **DOWN** (nach unten), um den Wert zu ändern, und drücken Sie dann **SET** (Einstellen), um fortzufahren.

Einstellungsreihenfolge: Zeitzone > Sommerzeit > Jahr > Monat-Tag oder Tag-Monat > Monat > 12/24h > Stunde > Minuten > Sekunden.

Alarmeinstellung

- Um Alarm 1 und/oder Alarm 2 zu aktivieren, drücken Sie die **ALARM**-Taste.
- Um Alarm 1 und/oder Alarm 2 zu aktivieren, drücken Sie die **MODE**-Taste (Modus) zweimal. Halten Sie die **SET**-Taste (Einstellen) 3 Sekunden lang gedrückt. Die Werte zum Einstellen blinken. Stellen Sie den gewünschten Wert mit den **UP/DOWN** (Aufwärts-/Abwärtstasten) ein, drücken Sie dann die **SET**-Taste (Einstellen) zum Fortsetzen.

- Einstellungsreihenfolge: Alarm 1 Stunden > Alarm 1 Minuten > Alarm 2 Stunden > Alarm 2 Minuten.
- Wenn der Wecker klingelt, drücken Sie **SNOOZE/LIGHT** (Schlummer/Licht), um die Schlummerfunktion zu aktivieren. Der Weckalarm ertönt in 5 Minuten erneut.
- Drücken Sie eine beliebige Taste, um den Wecker stumm zu schalten, bis die eingestellte Weckzeit wieder erreicht ist.

Einstellung der Höhe für den atmosphärischen Druck

Drücken Sie dreimal auf die **MODE**-Taste (Modus). Halten Sie die **SET**-Taste (Einstellen) 3 Sekunden lang gedrückt. Die Werte zum Einstellen blinken. Drücken Sie **UP** (nach oben) oder **DOWN** (nach unten), um die gewünschte Höhe einzugeben.

Temperaturalarmeinstellung

Drücken Sie viermal auf die **MODE**-Taste (Modus). Halten Sie die **SET**-Taste (Einstellen) 3 Sekunden lang gedrückt. Die Werte zum Einstellen blinken. Drücken Sie **UP** (nach oben) oder **DOWN** (nach unten), um den Wert zu ändern. Drücken Sie die **SET**-Taste (Einstellen), um fortzufahren.

Einstellungsreihenfolge: Außentemperaturalarm niedrig > Außentemperaturalarm niedrig ein/aus > Außentemperaturalarm hoch > Außentemperaturalarm hoch ein/aus > Raumtemperaturalarm niedrig > Raumtemperaturalarm niedrig ein/aus > Raumtemperaturalarm hoch > Raumtemperaturalarm hoch ein/aus.

Maßeinheiten

- Drücken Sie die **SET**-Taste (Einstellen), um zwischen °C und °F zu wechseln.
- Drücken Sie dreimal auf die **MODE**-Taste (Modus). Halten Sie die **SET**-Taste (Einstellen) 3 Sekunden lang gedrückt. Drücken Sie die **SET**-Taste (Einstellen) erneut, um in den Einstellmodus zu gelangen. Die Werte zum Einstellen blinken. Drücken Sie **UP** (nach oben) oder **DOWN** (nach unten), um zwischen inHg, hPa und mmHg zu wechseln.
- Drücken Sie fünfmal auf die **MODE**-Taste (Modus). Halten Sie die **SET**-Taste (Einstellen) 3 Sekunden lang gedrückt. Die Werte zum Einstellen blinken. Drücken Sie **UP** (nach oben) oder **DOWN** (nach unten), um zwischen mm und Zoll zu wechseln.
- Drücken Sie sechsmal auf die **MODE**-Taste (Modus). Halten Sie die **SET**-Taste (Einstellen) 3 Sekunden lang gedrückt. Die Werte zum Einstellen blinken. Drücken Sie **UP** (nach oben) oder **DOWN** (nach unten), um zwischen km/h und mph zu wechseln.

Wetterprognose



Sonnig



Teilweise bewölkt



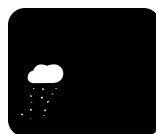
Bewölkt



Regen



Starker Regen



Schneefall



Starker Schneefall



Eisbildung



Sturm

Historische Aufzeichnung

- Drücken Sie die **UP**-Taste (nach oben), um die MAX/MIN-Windgeschwindigkeit, -Temperatur und -Feuchtigkeit anzuzeigen. Halten Sie die **UP**-Taste (nach oben) gedrückt, um die aufgezeichneten Werte zu löschen.
- Drücken Sie die **DOWN**-Taste (nach unten), um den Niederschlagsverlauf anzuzeigen. Die Reihenfolge der Anzeige: heute > letzte Stunde > gestern > diese Woche. Halten Sie die **DOWN**-Taste (nach unten) gedrückt, um die aufgezeichneten Werte zu löschen.

Mondphase



Neumond



Zunehmender Mond



Erstes Viertel



Zunehmender
Dreiviertelmond



Vollmond



Abnehmender
Dreiviertelmond



Letztes Viertel



Abnehmender
Mond

Die Mondphasenanzeige ist mit dem Datum, dem Jahr und der Uhrzeit verknüpft. Die Sterne werden zwischen 18 Uhr und 6 Uhr morgens angezeigt.

Technische Daten

Basisstation	
Luftfeuchtigkeit, Maßeinheiten	% (RH)
Betriebsfeuchtigkeitsbereich	1... 99 %
Temperatur, Maßeinheiten	°F, °C
Betriebstemperaturbereich (in Innenräumen)	-10... +50 °C, HI/LO außerhalb dieses Bereichs
Luftdruck, Maßeinheiten	inHg, hPa, mmHg
Betriebsdruckbereich	800... 1100 hPa
Display	farbig, mit einer LED-Hintergrundbeleuchtung
Stromversorgung	AC/DC-Adapter 5 V, 300 mA (im Lieferumfang enthalten), 3 AAA-Batterien (nicht im Lieferumfang enthalten)
Abmessungen	191,6x127x16 mm

Außeneinheiten	
Frequenz des Funksignals	433,92 MHz
Radius des Funksignals	100 m
Betriebstemperaturbereich (im Freien)	-40... +70 °C, HI/LO außerhalb dieses Bereichs
Windrichtung	360°; 16 Richtungen
Windgeschwindigkeit, Maßeinheiten	mph, km/h
Windgeschwindigkeitsbereich	0... 159 km/h
Niederschläge, Maßeinheiten	mm, Zoll
Betriebsniederschlagsbereich	0... 5994,4 mm
Stromversorgung (Windsensor)	4 AA-Batterien (nicht im Lieferumfang enthalten)
Stromversorgung (Regenmesser)	2 AA-Batterien (nicht im Lieferumfang enthalten)
Abmessungen (Windsensor)	152x279x393 mm
Abmessungen (Regenmesser)	166x105,5x118 mm

Der Hersteller behält sich das Recht vor, ohne Vorankündigung Änderungen an der Produktpalette und den technischen Daten vorzunehmen.

Pflege und Wartung

- Treffen Sie geeignete Vorsichtsmaßnahmen, wenn Kinder oder Personen das Instrument benutzen, die diese Anleitung nicht gelesen bzw. verstanden haben.
- Versuchen Sie nicht, das Instrument aus irgendwelchem Grund selbst zu zerlegen. Wenden Sie sich für Reparaturen oder zur Reinigung an ein spezialisiertes Servicecenter vor Ort.
- Schützen Sie das Instrument vor plötzlichen Stößen und übermäßiger mechanischer Krafteinwirkung.
- Lagern Sie das Instrument an einem trockenen, kühlen Ort, der frei von gefährlichen Säuren und anderen Chemikalien ist, und in ausreichendem Abstand zu Heizgeräten, offenem Feuer und anderen Hochtemperaturquellen.
- Betreiben Sie das Gerät nur in einer absolut trockenen Umgebung und berühren Sie das Gerät nicht mit nassen oder feuchten Körperteilen.
- Verwenden Sie nur Zubehör und Ersatzteile für dieses Gerät, die den technischen Spezifikationen entsprechen.
- Überprüfen Sie das Gerät und seine Kabel und Anschlüsse vor dem Gebrauch auf eventuelle Schäden.
- Versuchen Sie niemals, ein beschädigtes Gerät oder ein Gerät mit beschädigten elektrischen Teilen in Betrieb zu nehmen! Beschädigte Teile müssen sofort durch einen autorisierten Kundendienst ausgetauscht werden.
- Wenn ein Teil des Geräts oder des Akkus verschluckt wird, suchen Sie sofort einen Arzt auf.
- **Kinder sollten das Gerät nur unter Aufsicht eines Erwachsenen verwenden.**

Sicherheitshinweise zum Umgang mit Batterien

Immer die richtige, für den beabsichtigten Einsatz am besten geeignete Batteriegröße und -art erwerben. Stets alle Batterien gleichzeitig ersetzen. Alte und neue Batterien oder Batterien verschiedenen Typs nicht mischen. Batteriekontakte und Kontakte am Instrument vor Installation der Batterien reinigen. Beim Einlegen der Batterien auf korrekte Polung (+ und -) achten. Batterien entnehmen, wenn das Instrument für einen längeren Zeitraum nicht benutzt werden soll. Verbrauchte Batterien umgehend entnehmen. Batterien nicht kurzschließen, um Hitzentwicklung, Auslaufen oder Explosionen zu vermeiden. Batterien dürfen nicht zum Wiederbeleben erwärmt werden. Batterien nicht öffnen. Instrumente nach Verwendung ausschalten. Batterien für Kinder unzugänglich aufbewahren, um Verschlucken, Ersticken und Vergiftungen zu vermeiden. Entsorgen Sie leere Batterien gemäß den einschlägigen Vorschriften.

Levenhuk Garantie

Optikprodukte von Levenhuk haben eine **2-jährige Garantie** auf Material- und Verarbeitungsfehler. Für sämtliches Levenhuk-Zubehör gilt auch **eine 2-jährige Garantie** ab Kaufdatum im Einzelhandel auf Material- und Verarbeitungsfehler. Die Garantie berechtigt in Ländern, in denen Levenhuk mit einer Niederlassung vertreten ist, zu Reparatur oder Austausch von Levenhuk-Produkten, sofern alle Garantiebedingungen erfüllt sind.

Für weitere Einzelheiten besuchen Sie bitte unsere Website: www.levenhuk.de/garantie

Bei Problemen mit der Garantie, oder wenn Sie Unterstützung bei der Verwendung Ihres Produkts benötigen, wenden Sie sich an die lokale Levenhuk-Niederlassung.

ES Estación meteorológica Discovery Report WA60

El kit incluye: estación base, sensor de viento, pluviómetro, adaptador de CC, manual de usuario y tarjeta de garantía.



¡Precaución! Recuerde que la tensión de red en la mayoría de los países europeos es de 220–240 V. Si desea utilizar este instrumento en un país con una tensión de red diferente, recuerde que es absolutamente necesario utilizar un convertidor.

Primeros pasos

Basisstation

- Conecte el cable de alimentación al dispositivo y conecte el adaptador de CC a la fuente de alimentación de CA; o bien
- Abra la tapa del compartimento de las pilas (20) e inserte 3 pilas de acuerdo con la polaridad correcta. Cierre la tapa.



NOTA. Se recomienda utilizar un adaptador para asegurar el funcionamiento continuo de la estación base, aunque también es posible el suministro de energía mediante pilas. En el modo de funcionamiento con pilas, la iluminación de fondo permanece encendida solo durante un breve período de tiempo.

- Una vez instaladas las pilas, la estación base buscará la presencia de unidades exteriores durante los primeros 5 minutos. Después de eso, la estación base se puede configurar manualmente para recibir señal. Para ello, presione el botón **CHANNEL** (Canal) durante 2 segundos.
- El alcance efectivo de la señal puede diferir dependiendo de la posición de la unidad. Debido a la existencia de interferencias (tales como las debidas a la cercanía de dispositivos de control remoto), la distancia máxima entre la unidad base y la unidad exterior puede ser significativamente menor. En tales casos, sugerimos acercarse poco a la unidad base y la unidad exterior. A veces es suficiente mover una de estas unidades unos pocos centímetros.

Sensor de viento

- Coloque la estación base y la unidad exterior dentro del alcance de transmisión efectivo. Abra la tapa del compartimento de las pilas (3) e inserte 4 pilas de acuerdo con la polaridad correcta.
- Coloque el selector de canal (8) en el mismo canal que el seleccionado para la estación base y luego presione el botón **TX**. Compruebe que la estación base haya recibido la señal. Presione de nuevo el botón **TX** si es necesario. Si la recepción de señal se realiza correctamente, la pantalla de la estación base mostrará la temperatura y la humedad. Cierre la tapa del compartimento de las pilas.
- Inserte la barra vertical de aluminio (2) en la base de soporte y fíjela con los tornillos proporcionados. Atornille la base a una pared de madera o piedra con los tornillos y tacos proporcionados. Deslice la parte superior del sensor de viento en la barra vertical y fíjela con los tornillos.
- Los sensores de la velocidad del viento, la temperatura, la humedad y la dirección del viento deben estar orientados hacia el sur. Oriente la unidad exterior del sensor de viento con la brújula para asegurar la dirección correcta del viento.

Pluviómetro

- Abra la tapa del compartimento de las pilas (6) e inserte 2 pilas de acuerdo con la polaridad correcta. Cierre la tapa y fíjela con los tornillos.
- Afiance el pluviómetro colocando los tornillos en los pies de soporte (3). Para reemplazar las pilas, primero desatornille el pluviómetro.

Ajuste de la hora

Presione el botón **MODE** (Modo). Mantenga presionado el botón **SET** (Establecer) durante 3 segundos. Los dígitos que se deben ajustar empezarán a parpadear. Presione **ARRIBA** o **ABAJO** para cambiar el valor, y luego presione **SET** (Establecer) para continuar.

Orden de ajuste: Zona horaria > Horario de verano > Año > Mes-día o Día-mes > Mes > 12/24 h > Hora > Minutos > Segundos.

Ajuste de la alarma

- Para activar la alarma 1 o la alarma 2, presione el botón **ALARM** (Alarma).
- Para configurar la alarma 1 y la alarma 2, presione el botón **MODE** (Modo) dos veces. Mantenga presionado el botón **SET** (Establecer) durante 3 segundos. Los dígitos que se deben ajustar empezarán a parpadear. Presione **ARRIBA** o **ABAJO** para cambiar el valor, y luego presione el botón **SET** (Establecer) para continuar.
- Orden de ajuste: Alarma 1 horas > Alarma 1 minutos > Alarma 2 horas > Alarma 2 minutos.
- Cuando suene la alarma, pulse **SNOOZE/LIGHT** (Repetición / Luz) para activar la función de repetición. La alarma volverá a sonar al cabo de 5 minutos.
- Pulse cualquier botón para silenciar la alarma hasta que se alcance de nuevo la hora de alarma configurada.

Ajuste de la altura de la presión atmosférica

Presione el botón **MODE** (Modo) 3 veces. Mantenga presionado el botón **SET** (Establecer) durante 3 segundos. Los dígitos que se deben ajustar empezarán a parpadear. Presione **ARRIBA** o **ABAJO** para establecer la altura deseada.

Ajuste de la alerta de temperatura

Presione el botón **MODE** (Modo) 4 veces. Mantenga presionado el botón **SET** (Establecer) durante 3 segundos. Los dígitos que se deben ajustar empezarán a parpadear. Presione **ARRIBA** o **ABAJO** para cambiar el valor. Presione el botón **SET** (Establecer) para continuar.

Orden de ajuste: Alerta de temperatura exterior baja > Alerta de temperatura exterior baja encendida/apagada > Alerta de temperatura exterior alta > Alerta de temperatura exterior alta encendida/apagada > Alerta de temperatura interior baja > Alerta de temperatura interior baja encendida/apagada > Alerta de temperatura interior alta > Alerta de temperatura interior alta encendida/apagada.

Unidades de medida

- Presione el botón **SET** (Establecer) para cambiar entre °C y °F.
- Presione el botón **MODE** (Modo) 3 veces. Mantenga presionado el botón **SET** (Establecer) durante 3 segundos. Presione de nuevo el botón **SET** (Establecer) para entrar en el modo de configuración. Los dígitos que se deben ajustar empezarán a parpadear. Presione **ARRIBA** o **ABAJO** para cambiar entre inHg, hPa y mmHg.
- Presione el botón **MODE** (Modo) 5 veces. Mantenga presionado el botón **SET** (Establecer) durante 3 segundos. Los dígitos que se deben ajustar empezarán a parpadear. Presione **ARRIBA** o **ABAJO** para cambiar entre mm y pulgadas.
- Presione el botón **MODE** (Modo) 6 veces. Mantenga presionado el botón **SET** (Establecer) durante 3 segundos. Los dígitos que se deben ajustar empezarán a parpadear. Presione **ARRIBA** o **ABAJO** para cambiar entre km/h y mph.

Pronóstico del tiempo



Soleado



Nublado
parcialmente



Nublado



Lluvioso



Lluvia intensa



Nevado



Nevada intensa



Hielo



Tormenta

Registro de historial

- Presione el botón **ARRIBA** para mostrar los valores máximos y mínimos correspondientes a la velocidad del viento, la temperatura y la humedad. Mantenga presionado el botón **ARRIBA** para borrar los registros del historial.
- Presione el botón **ABAJO** para mostrar el historial de precipitaciones. Orden de visualización: hoy > última hora > ayer > esta semana. Mantenga presionado el botón **ABAJO** para borrar los registros del historial.

Fase lunar



Luna nueva



Luna creciente



Cuarto creciente



Luna gibosa
creciente



Luna llena



Luna gibosa
menguante



Cuarto menguante



Luna menguante

La visualización de la fase lunar está vinculada a la fecha, el año y la hora. Las estrellas se muestran entre las 6 pm y las 6 am.

Especificaciones

Estación base	
Humedad del aire, unidades de medida	% (HR)
Rango de medición de humedad	1... 99 %
Temperatura, unidades de medida	°F, °C
Rango de medición de temperatura (interior)	-10... +50 °C, para valores fuera del rango de medición, la pantalla muestra HI o LO
Presión atmosférica, unidades de medida	inHg, hPa, mmHg
Rango de medición de la presión atmosférica	800... 1100 hPa
Pantalla	color, con iluminación de fondo por LED
Fuente de alimentación	adaptador de CA/CC 5 V, 300 mA (no incluido), 3 pilas AAA (no incluidas)
Dimensiones	191,6x127x16 mm

Unidades exteriores	
Frecuencia de señal de radio	433,92 MHz
Alcance de la señal de radio	100 m
Rango de medición de temperatura (exterior)	-40... +70 °C, para valores fuera del rango de medición, la pantalla muestra HI o LO
Dirección del viento	360°; 16 direcciones
Velocidad del viento, unidades de medida	mph, km/h
Rango de medición de la velocidad del viento	0... 159 km/h
Precipitaciones, unidades de medida	mm, pulg.
Rango de medición de precipitaciones	0... 5994,4 mm
Fuente de alimentación (sensor de viento)	4 pilas AA (no incluidas)
Fuente de alimentación (pluviómetro)	2 pilas AA (no incluidas)
Dimensiones (sensor de viento)	152x279x393 mm
Dimensiones (pluviómetro)	166x105,5x118 mm

El fabricante se reserva el derecho de realizar cambios en la gama de productos y en las especificaciones sin previo aviso.

Cuidado y mantenimiento

- Tome las precauciones necesarias si utiliza este instrumento acompañado de niños o de otras personas que no hayan leído o que no comprendan totalmente estas instrucciones.
- No intente desmontar el instrumento usted mismo bajo ningún concepto. Si necesita repararlo o limpiarlo, contacte con el servicio técnico especializado que corresponda a su zona.
- Proteja el instrumento de impactos súbitos y de fuerza mecánica excesiva.
- Guarde el instrumento en un lugar seco y fresco, alejado de ácidos peligrosos y otros productos químicos, radiadores, de fuego y de otras fuentes de altas temperaturas.
- Utilice el dispositivo solo en un entorno completamente seco y no toque el dispositivo con partes del cuerpo mojadas o húmedas.
- Utilice únicamente accesorios y repuestos para este dispositivo que cumplan con las especificaciones técnicas.
- Verifique este dispositivo y sus cables y conexiones para detectar posibles daños antes de usarlo.
- ¡No intente nunca utilizar un dispositivo dañado o un dispositivo con componentes eléctricos dañados! Las piezas dañadas deben ser reemplazadas inmediatamente por un agente de servicio autorizado.
- En caso de ingestión de componentes del dispositivo o de la pila, busque asistencia médica de inmediato.
- **Los niños únicamente deben utilizar este dispositivo bajo la supervisión de un adulto.**

Instrucciones de seguridad para las pilas

Compre siempre las pilas del tamaño y grado indicado para el uso previsto. Reemplace siempre todas las pilas al mismo tiempo. No mezcle pilas viejas y nuevas, ni pilas de diferentes tipos. Limpie los contactos de las pilas y del instrumento antes de instalarlas. Asegúrese de instalar las pilas correctamente según su polaridad (+ y -). Quite las pilas si no va a utilizar el instrumento durante un periodo largo de tiempo. Retire lo antes posible las pilas agotadas. No cortocircuite nunca las pilas ya que podría aumentar su temperatura y podría provocar fugas o una explosión. Nunca caliente las pilas para intentar reavivarlas. No intente desmontar las pilas. Recuerde apagar el instrumento después de usarlo. Mantenga las pilas fuera del alcance de los niños para eliminar el riesgo de ingestión, asfixia o envenenamiento. Deseche las pilas usadas tal como lo indiquen las leyes de su país.

Garantía Levenhuk

Los productos ópticos de Levenhuk tienen una **garantía de 2 años** contra defectos en materiales y mano de obra. Todos los accesorios Levenhuk están garantizados contra defectos de materiales y de mano de obra durante **2 años** a partir de la fecha de compra. La garantía incluye la reparación o sustitución gratuita del producto Levenhuk en cualquier país en el que haya una oficina Levenhuk si se reúnen todas las condiciones de la garantía.

Para más detalles visite nuestra página web: www.levenhuk.es/garantia

En caso de problemas con la garantía o si necesita ayuda en el uso de su producto, contacte con su oficina de Levenhuk más cercana.

HU Discovery Report WA60 időjárás-állomás

A készlet tartalma: alapállomás, szélérzékelő, csapadékmérő, egyenáramú adapter, felhasználói kézikönyv és jótállás.



Vigyázat! Kérjük, ne feledje, hogy a legtöbb európai országban az elektromos hálózat feszültsége 220–240 V. Ha eszékét más hálózati feszültségről szeretné üzemeltetni, akkor ahhoz mindenképp átalakító szükséges.

Első lépések

Alapállomás

- Csatlakoztassa a tápkábel az eszközhöz, majd csatlakoztassa az egyenáramú adaptert a váltakozóáramú tápellátáshoz; vagy
- Nyissa fel az elemtartórekesz fedelét (20), azután – ügyelve a polarításra – helyezzen be 3 db elemet. Zárja le a fedelet.



MEGJEGYZÉS! Bár az elemről történő működtetés is lehetséges, azt javasoljuk, hogy az alapállomás folyamatos üzemeléséhez használjon adaptert. Elemes működési módban a háttérvilágítás mindössze csak rövid időre kapcsolódik fel.

- Az elemek behelyezése után az alapállomás az első 5 percben keresi a kültéri egységeket. Ezután az alapállomás manuálisan beállítható az adatok fogadására. Ehhez nyomja meg a **CHANNEL (CSATORNA)** gombot 2 másodpercig.
- Az egység helyzetétől függően a hatótávolság más és más lehet. Az interferencia miatt (különbféle távirányító eszközök stb.) az alapegység és a kültéri egység közötti maximális távolság akár jelentős mértékben is lecsökkenhet. Ilyen esetben mind az alapegységet, mind pedig az érzékelőt mozgassa el kissé. Néha az egységek valamelyikének mindössze pár centiméternyi elmozdítása is elegendő tud lenni!

Szélérzékelő

- Az átviteli hatótávolságon belül helyezze el az alapállomást és a távoli érzékelőt. Nyissa fel az elemtartórekesz fedelét (3), azután – ügyelve a polarításra – helyezzen be 4 db elemet.
- Állítsa a csatornaváltó kapcsolót (8) ugyanarra a csatornára, ami az alapállomáson is ki van választva, azután nyomja meg a **TX** gombot. Ellenőrizze, hogy az alapállomás fogadja-e a jelet. Szükség esetén nyomja meg még egyszer a **TX** gombot. Sikeres vétel esetén az alapállomáson láthatóvá válik a hőmérséklet és a páratartalom. Zárja be az elemtartó rekesz fedelét.
- Helyezze be az alumínium rudat (2) a szerelőtalpba, és rögzítse azt a csavarokkal (a készlet része). Csavarozza a talpat egy fa vagy kő falhoz a készletben található csavarokkal és dugókkal. Csúsztassa rá a szélérzékelő felső részét az oszlopra, majd rögzítse azt a csavarokkal.
- A szélesség-, hőmérséklet-, páratartalom- és szélirány-érzékelő résznek dél felé kell állnia. Tájéolja be a kültéri szélérzékelő egységet az iránytű segítségével, biztosítva ezáltal a megfelelő szélirányt.

Csapadékmérő

- Nyissa fel az elemtartórekesz fedelét (6), azután – ügyelve a polarításra – helyezzen be 2 db elemet. Zárja be a fedelet, majd rögzítse azt a csavarokkal.
- Rögzítse fel a csapadékmérőt, ehhez illesse be a csavarokat a szerelőtalpon (3) átvezetve. Az elemek kicseréléséhez először le kell csavarozni a csapadékmérőt.

Idő beállítás

Nyomja meg a **MODE (MÓD)** gombot. Tartsa nyomva a **SET (BEÁLLÍTÁS)** gombot 3 másodpercig. A beállítandó számjegyek villogni kezdenek. Nyomja meg az **UP (FEL)** vagy **DOWN (LE)** gombot az érték módosításához, majd a folytatáshoz nyomja meg a **SET (BEÁLLÍTÁS)** gombot.

A beállítás sorrendje: Időzóna > Nyári időszámítás > Év > Hónap-nap vagy Nap-hónap > Hónap > 12/24 óra > Óra > Perc > Másodperc.

Riasztás beállítása

- Az 1. és/vagy 2. riasztás aktiválásához nyomja meg az **ALARM (RIASZTÁS)** gombot.
- Az 1. és/vagy 2. riasztás beállításához először nyomja meg a **MODE (MÓD)** gombot kétszer. Tartsa nyomva a **SET (BEÁLLÍTÁS)** gombot 3 másodpercig. A beállítandó számjegyek villogni kezdenek. Az érték módosításához nyomja meg az **UP (FEL)** vagy a **DOWN (LE)** gombot, majd a folytatáshoz nyomja meg a **SET (Beállítás)** gombot.
- A beállítás sorrendje: 1. riasztás óra > 1. riasztás perc > 2. riasztás óra > 2. riasztás perc.
- A riasztás csengésekor nyomja meg a **SNOOZE/LIGHT (SZUNDI/VILÁGÍTÁS)** gombot a szundi funkció aktiválásához. Ekkor a riasztás 5 perc elteltével szólal meg ismét.
- A riasztás elnémitására addig az időpontig, amíg a berendezés el nem éri újból a beállított riasztási időt, nyomja meg bármelyik gombot.

Léggöri nyomás magasságának beállítása

Nyomja meg a **MODE (MÓD)** gombot háromszor. Tartsa nyomva a **SET (BEÁLLÍTÁS)** gombot 3 másodpercig. A beállítandó számjegyek villogni kezdenek. Nyomja meg az **UP (FEL)** vagy **DOWN (LE)** gombot a kívánt magasság regisztrálásához.

Hőmérsékleti riasztás beállítása

Nyomja meg a **MODE (MÓD)** gombot négyszer. Tartsa nyomva a **SET (BEÁLLÍTÁS)** gombot 3 másodpercig. A beállítandó számjegyek villogni kezdenek. Nyomja meg az **UP (FEL)** vagy **DOWN (LE)** gombot az érték módosításához. Nyomja meg a **SET (BEÁLLÍTÁS)** gombot a folytatáshoz.

A beállítás sorrendje: Kültéri alacsony hőmérsékleti riasztás > Kültéri alacsony hőmérsékleti riasztás bekapcsolva/kikapcsolva > Kültéri magas hőmérsékleti riasztás > Kültéri magas hőmérsékleti riasztás bekapcsolva/kikapcsolva > Beltéri alacsony hőmérsékleti riasztás > Beltéri alacsony hőmérsékleti riasztás bekapcsolva/kikapcsolva > Beltéri magas hőmérsékleti riasztás > Beltéri magas hőmérsékleti riasztás bekapcsolva/kikapcsolva.

Mértékegységek

- Nyomja meg a **SET (BEÁLLÍTÁS)** gombot °C és °F mértékegységek közötti váltáshoz.
- Nyomja meg a **MODE (MÓD)** gombot háromszor. Tartsa nyomva a **SET (BEÁLLÍTÁS)** gombot 3 másodpercig. Nyomja meg újra a **SET (BEÁLLÍTÁS)** gombot a beállítási mód megnyitásához. A beállítandó számjegyek villogni kezdenek. Nyomja meg az **UP (FEL)** vagy **DOWN (LE)** gombot az inHg, hPa és mmHg mértékegységek közötti váltáshoz.
- Nyomja meg a **MODE (MÓD)** gombot ötször. Tartsa nyomva a **SET (BEÁLLÍTÁS)** gombot 3 másodpercig. A beállítandó számjegyek villogni kezdenek. Nyomja meg az **UP (FEL)** vagy **DOWN (LE)** gombot a mm és hüvelyk mértékegységek közötti váltáshoz.
- Nyomja meg a **MODE (MÓD)** gombot hatszor. Tartsa nyomva a **SET (BEÁLLÍTÁS)** gombot 3 másodpercig. A beállítandó számjegyek villogni kezdenek. Nyomja meg az **UP (FEL)** vagy **DOWN (LE)** gombot a km/h és mph mértékegységek közötti váltáshoz.

Időjárás-előrejelzés



Napos



Részben felhős



Felhős



Esős



Heves eső



Havas



Erős havazás



Jég



Vihar

Előzmény-nyilvántartás

- Nyomja meg az **UP (FEL)** gombot a MAX./MIN. szélsőérték, hőmérséklet és páratartalom megjelenítéséhez. Tartsa nyomva az **UP (FEL)** gombot az előzmények törléséhez.
- Nyomja meg a **DOWN (LE)** gombot a csapadék-előzmények megjelenítéséhez. Megjelenési sorrend: ma > elmúlt óra > tegnap > e hét. Tartsa nyomva a **DOWN (LE)** gombot az előzmények törléséhez.

Holdfázis



Újhold



Növőhold



Első negyed



Növő telihold



Telihold



Fogyó telihold



Utolsó negyed



Fogyóhold

A holdfázis megjelenése összefüggésben van a dátummal, évvel és az idővel. A csillagok este 18.00 és reggel 6.00 között láthatók.

Specifikációk

Alapállomás	
Levegő páratartalma, mértékegységek	% (RH)
Üzemi páratartalom tartománya	1–99%
Hőmérséklet, mértékegységek	°F, °C
Működési hőmérséklet-tartomány (beltéren)	-10–50 °C, HI/LO (MAGAS/ALACSONY), ha tartományon kívülre esik
Légnyomás, mértékegységek	inHg, hPa, mmHg
Üzemi légnyomás-tartomány	800–1100 hPa
Képernyő	szín, LED-háttérvilágítással
Tápellátás	AC/DC adapter 5 V 300 mA (a készlet része), 3 AAA elem (a készlet nem tartalmazza)
Méretek	191,6x127x16 mm

Kültéri egységek	
Rádiójelek frekvenciája	433,92 MHz
Rádiójelek hatósugara	100 m
Működési hőmérséklet-tartomány (kültéren)	-40–70 °C, HI/LO (MAGAS/ALACSONY), ha tartományon kívülre esik
Szélirány	360°; 16 irány
Szélesebesség, mértékegységek	mph, km/h
Szélesebesség-tartomány	0–159 km/h
Csapadékmennyiség, mértékegységek	mm, hüvelyk.
Üzemi csapadékmennyiség-tartomány	0–5994,4 mm
Tápellátás (szélérzékelő)	4 db AA elem (a készlet nem tartalmazza)
Tápellátás (csapadékmérő)	2 db AA elem (a készlet nem tartalmazza)
Méretek (szélérzékelő)	152x279x393 mm
Méretek (csapadékmérő)	166x105,5x118 mm

A gyártó fenntartja magának a jogot a termékínálat és a műszaki paraméterek előzetes értesítés nélkül történő módosítására.

Ápolás és karbantartás

- Legyen kellően óvatos, ha gyermekekkel vagy olyan személyekkel együtt használja az eszközt, akik nem olvasták vagy nem teljesen értették meg az előbbiekből felsorolt utasításokat.
- Bármilyen esetben is az ok, semmiképpen ne kísérelje meg szétszerelni az eszközt. Ha az eszköz javításra vagy tisztításra szorul, akkor keresse fel vele a helyi szakszervizt.
- Óvja az eszközt a hirtelen behatásoktól és a hosszabb ideig tartó mechanikai erőktől.
- Száraz, hűvös helyen tárolja az eszközt, veszélyes savaktól és egyéb kémiai anyagoktól elkülönítetten, hőszigeteltől, nyílt lángtól és egyéb hőforrásoktól távol.
- A készüléket kizárólag teljesen száraz körülmények között használja. Ne érjen az egységhez, amennyiben annak bármelyik része vize vagy, nedves.
- Kizárólag olyan tartozékokat vagy pótalkatrészeket alkalmazzon, amelyek a műszaki paramétereknek megfelelnek.
- Használat előtt minden esetben ellenőrizze az eszköz kábeleit és csatlakozásait, hogy azok nem sérültek-e.
- A sérült, vagy sérült elektromos alkatrész berendezést soha ne helyezze üzembe! A sérült alkatrészeket a termék hivatalos márkaszervizében azonnal ki kell cseréltetni.
- Ha az eszköz valamely alkatrészét vagy az elemét lenyelik, akkor kérjen, azonnal orvosi segítséget.
- **Gyermekek kizárólag felnőtt felügyelete mellett használhatják.**

Az elemekkel kapcsolatos biztonsági intézkedések

Mindig a felhasználásnak legmegfelelőbb méretű és fokozatú elemet vásárolja meg. Elemcseréje során mindig az összes elemet egyszerre cserélje ki; ne keverje a régi elemeket a frissekkel, valamint a különböző típusú elemeket se keverje egymással össze. Az elemek behelyezése előtt tisztítsa meg az elemek és az eszköz egymással érintkező részeit. Győződjön meg róla, hogy az elemek a pólusokat tekintve is helyesen kerülnek az eszközbe (+ és -). Amennyiben az eszközt hosszabb ideig nem használja, akkor távolítsa el az elemeket. A lemerült elemeket azonnal távolítsa el. Soha ne zárja rövide az elemeket, mivel így azok erősen felmelegedhetnek, szivárogni kezhetnek vagy felrobbanhatnak. Az elemek élettartamának megnöveléséhez soha ne kísérelje meg felmelegíteni azokat. Ne bontsa meg az akkumulátorokat. Használat után ne felejtse el kikapcsolni az eszközt. Az elemeket tartsa gyermekektől távol, megelőzve ezzel a lenyelés, fulladás és mérgezés veszélyét. A használt elemeket az Ön országában érvényben lévő jogszabályoknak megfelelően adhatja le.

Levenhuk szavatosság

A Levenhuk optikai termékekre **2 év szavatosságot biztosítunk** anyaghibákra és/vagy a gyártási hibákra. A Levenhuk-kiegészítőkhöz a Levenhuk-vállalat a kiskereskedelmi vásárlás napjától számított **2 évig** érvényes szavatosságot nyújt az anyaghibák és/vagy a gyártási hibák vonatkozásában. Ha minden szavatossági feltétel teljesül, akkor a szavatosság értelmében bármely olyan országban kérheti a Levenhuk termék díjmentes javíttatását vagy cseréjét, ahol a Levenhuk vállalat fiókirodát üzemeltet.

További részletekért látogasson el weboldalunkra: www.levenhuk.hu/garancia

Amennyiben garanciális probléma lépne fel vagy további segítségre van szüksége a termék használatát illetően, akkor vegye fel a kapcsolatot a helyi Levenhuk üzlettel.

IT Stazione meteorologica Discovery Report WA60

Il kit comprende: stazione base, sensore di vento, pluviometro, adattatore DC, manuale di istruzioni e garanzia.



Attenzione! Si tenga presente che la tensione della rete elettrica nella maggior parte dei paesi europei è di 220–240V. Se si desidera utilizzare il dispositivo in un paese in cui la tensione di rete standard è differente, bisogna assolutamente utilizzare un convertitore di tensione.

Per cominciare

Stazione base

- Connettere il cavo di alimentazione allo strumento e quindi connettere l'adattatore DC alla presa di rete AC; oppure
- Aprire lo sportello dello scomparto batterie (20) e inserire le 3 batterie secondo la corretta polarità. Chiudere lo sportello.



ATTENZIONE! Si consiglia di utilizzare un adattatore per l'uso continuato della stazione base, sebbene sia possibile alimentarla a batterie. In modalità batterie, la retroilluminazione rimane accesa solo per un breve periodo.

- Terminata l'installazione delle batterie, la stazione base cercherà le unità esterne per i primi 5 minuti. Trascorso questo lasso di tempo, la stazione base può essere impostata manualmente in modalità ricezione. Per farlo, tenere premuto il pulsante **CHANNEL** (Canale) per 2 secondi.
- Il range effettivo potrebbe variare a seconda della posizione dell'unità. A causa delle interferenze (numerosi altri dispositivi telecomandati, ecc.), la distanza massima tra l'unità base e le unità esterne può essere significativamente ridotta. In tal caso, consigliamo di spostare leggermente l'unità base e il sensore. A volte è sufficiente spostare una delle unità anche soltanto di pochi centimetri!

Sensore di vento

- Posizionare la stazione base e il sensore remoto a una distanza compatibile con l'effettivo range di trasmissione. Aprire lo sportello dello scomparto batterie (3) e inserire le 4 batterie secondo la corretta polarità.
- Posizionare l'interruttore dei canali (8) sullo stesso canale selezionato sulla stazione base, quindi premere il pulsante **TX** (Trasmissione). Verificare che la stazione base abbia ricevuto il segnale. Se necessario, premere nuovamente il pulsante **TX** (Trasmissione). In caso di ricezione avvenuta con successo, il display della stazione base mostrerà i valori di temperatura e umidità. Chiudere lo sportello dello scomparto batterie.
- Inserire la colonna in alluminio (2) nella base della montatura e fissarla usando delle viti (incluse). Montare la base su una parete in legno o in muratura usando le viti e i tasselli forniti. Infilare la parte superiore del sensore di vento sulla colonna e fissare il tutto usando delle viti.
- I sensori di temperatura, umidità, velocità e direzione del vento devono essere rivolti verso sud. Orientare l'unità esterna di misura del vento usando la bussola, per assicurarsi di ottenere un'indicazione precisa sulla direzione del vento.

Pluviometro

- Aprire lo sportello dello scomparto batterie (6) e inserire le 2 batterie secondo la corretta polarità. Chiudere lo sportello e fissarlo con le relative viti.
- Assicurare la posizione del pluviometro inserendo delle viti nei fori dei piedini di fissaggio (3). Prima di sostituire le batterie, sarà necessario svitare il pluviometro.

Impostazione dell'ora

Premere il pulsante **MODE** (Modalità). Tenere premuto il pulsante **SET** (Imposta) per 3 secondi. Le cifre pronte alla modifica inizieranno a lampeggiare. Premere i pulsanti **UP** (Su) o **DOWN** (Giù) per cambiare il valore, quindi premere il pulsante **SET** (Imposta) per continuare.

Ecco l'ordine di modifica: fuso orario > ora legale > anno > mese-giorno o giorno-mese > mese > 12/24h > ore > minuti > secondi.

Impostazione della sveglia

- Per attivare la sveglia 1 e/o la sveglia 2, premere il pulsante **ALARM** (Sveglia).
- Per impostare la sveglia 1 e la sveglia 2, premere 2 volte il pulsante **MODE** (Modalità). Tenere premuto il pulsante **SET** (Imposta) per 3 secondi. Le cifre pronte alla modifica inizieranno a lampeggiare. Premere i pulsanti **UP** (Su) o **DOWN** (Giù) per cambiare il valore, quindi premere il pulsante **SET** (Imposta) per continuare.
- Ecco l'ordine di modifica: ora sveglia 1 > minuti sveglia 1 > ora sveglia 2 > minuti sveglia 2.
- Quando la sveglia suona, premere il pulsante **SNOOZE/LIGHT** (Posponi/luce) per attivare la funzione snooze (posponi). La sveglia suonerà di nuovo dopo 5 minuti.
- Premere qualsiasi altro pulsante per silenziare la sveglia finché non verrà raggiunto nuovamente l'orario impostato.

Impostazione della pressione atmosferica all'altitudine corrente

Premere 3 volte il pulsante **MODE** (Modalità). Tenere premuto il pulsante **SET** (Imposta) per 3 secondi. Le cifre pronte alla modifica inizieranno a lampeggiare. Premere il pulsante **UP** (Su) or **DOWN** (Giù) per inserire l'altitudine desiderata.

Impostazione degli allarmi temperatura

Premere 4 volte il pulsante **MODE** (Modalità). Tenere premuto il pulsante **SET** (Imposta) per 3 secondi. Le cifre pronte alla modifica inizieranno a lampeggiare. Premere il pulsante **UP** (Su) or **DOWN** (Giù) per cambiare il valore. Premere il pulsante **SET** (Imposta) per continuare.

Ecco l'ordine di modifica: valore di allarme temperatura esterna bassa > allarme temperatura esterna bassa on/off > valore di allarme temperatura esterna alta > allarme temperatura esterna alta on/off > valore di allarme temperatura interna bassa > allarme temperatura interna bassa on/off > valore di allarme temperatura interna alta > allarme temperatura interna alta on/off.

Unità di misura

- Premere il pulsante **SET** (Imposta) per passare da °C a °F e viceversa.
- Premere 3 volte il pulsante **MODE** (Modalità). Tenere premuto il pulsante **SET** (Imposta) per 3 secondi. Premere nuovamente il pulsante **SET** (Imposta) per entrare in modalità impostazione. Le cifre pronte alla modifica inizieranno a lampeggiare. Premere il pulsante **UP** (Su) o **DOWN** (Giù) per selezionare tra inHg, hPa e mmHg.
- Premere 5 volte il pulsante **MODE** (Modalità). Tenere premuto il pulsante **SET** (Imposta) per 3 secondi. Le cifre pronte alla modifica inizieranno a lampeggiare. Premere il pulsante **UP** (Su) o **DOWN** (Giù) per passare da mm a pollici e viceversa.
- Premere 6 volte il pulsante **MODE** (Modalità). Tenere premuto il pulsante **SET** (Imposta) per 3 secondi. Le cifre pronte alla modifica inizieranno a lampeggiare. Premere il pulsante **UP** (Su) o **DOWN** (Giù) per passare da km/h a mph e viceversa.

Previsioni del tempo



Soleggiato



Parzialmente nuvoloso



Nuvoloso



Piovoso



Pioggia forte



Nevoso



Nevicata intensa



Ghiaccio



Temporale

Cronologia misure

- Premere il pulsante **UP** (Su) per visualizzare i valori MAX e MIN di velocità del vento, temperatura e umidità. Tenere premuto il pulsante **UP** (Su) per cancellare la cronologia delle misure.
- Premere il pulsante **DOWN** (Giù) per visualizzare lo storico della quantità di pioggia. Ecco l'ordine di visualizzazione: oggi > nell'ultima ora > ieri > in questa settimana. Tenere premuto il pulsante **DOWN** (Giù) per cancellare la cronologia delle misure.

Fase lunare



Luna nuova



Luna crescente



Primo quarto



Gibbosa crescente



Luna piena



Gibbosa calante



Ultimo quarto



Luna calante

La fase lunare mostrata è legata a data, anno e ora. Le stelle vengono mostrate tra le 18 e le 6.

Specifiche

Stazione base	
Umidità dell'aria, unità di misura	% (RH)
Intervallo operativo di umidità	1...99%
Temperatura, unità di misura	°F, °C
Intervallo operativo di temperatura (all'interno)	-10... +50 °C, HI/LO se fuori intervallo operativo
Pressione atmosferica, unità di misura	inHg, hPa, mmHg
Intervallo operativo di pressione atmosferica	800... 1100 hPa
Schermo	a colori, con retroilluminazione LED
Alimentazione	adattatore AC/DC da 5 V, 300 mA (incluso), 3 batterie AAA (non incluse)
Dimensioni	191,6x127x16 mm

Unità esterne	
Frequenza del segnale radio	433,92 MHz
Raggio segnale radio	100 m
Intervallo operativo di temperatura (all'esterno)	-40... +70 °C, HI/LO se fuori intervallo operativo
Direzione del vento	360° ; 16 direzioni
Velocità del vento, unità di misura	km/h, mph
Intervallo di misura della velocità del vento	0... 159 km/h
Precipitazioni, unità di misura	mm, in
Intervallo operativo in caso di precipitazioni	0... 5994,4 mm
Alimentazione (sensore di vento)	4 batterie AA (non incluse)
Alimentazione (pluviometro)	2 batterie AA (non incluse)
Dimensioni (sensore di vento)	152x279x393 mm
Dimensioni (pluviometro)	166x105,5x118 mm

Il produttore si riserva il diritto di modificare senza preavviso le specifiche tecniche e la gamma dei prodotti.

Cura e manutenzione

- Nel caso si utilizzi l'apparecchio in presenza di bambini o di altre persone che non abbiano letto e compreso appieno queste istruzioni, prendere le precauzioni necessarie.
- Non cercare per nessun motivo di smontare autonomamente l'apparecchio. Per qualsiasi intervento di riparazione e pulizia, contattare il centro di assistenza specializzato di zona.
- Proteggere l'apparecchio da urti improvvisi ed evitare che sia sottoposto a eccessiva forza meccanica.
- Conservare l'apparecchio in un luogo fresco e asciutto, al riparo da acidi pericolosi e altri prodotti chimici, lontano da elementi riscaldanti, fiamme libere e altre fonti di calore.
- Adoperare lo strumento soltanto in un ambiente completamente asciutto e non toccarlo con parti del corpo umide o bagnate.
- Usare solamente accessori e ricambi che corrispondono alle specifiche tecniche riportate per questo strumento.
- Verificare che lo strumento, i suoi cavi e le relative connessioni siano prive di danni prima dell'uso.
- Non tentare mai di adoperare uno strumento danneggiato o con componenti elettriche danneggiate! Le parti danneggiate devono essere sostituite immediatamente da un centro assistenza autorizzato.
- In caso di ingestione di una parte dell'apparecchio o della batteria, consultare immediatamente un medico.
- **I bambini devono usare questo strumento solo sotto la supervisione di un adulto.**

Istruzioni di sicurezza per le batterie

Acquistare batterie di dimensione e tipo adeguati per l'uso di destinazione. Sostituire sempre tutte le batterie contemporaneamente, evitando accuratamente di mischiare batterie vecchie con batterie nuove oppure batterie di tipo differente. Prima della sostituzione, pulire i contatti della batteria e quelli dell'apparecchio. Assicurarsi che le batterie siano state inserite con la corretta polarità (+ e -). Se non si intende utilizzare l'apparecchio per lungo periodo, rimuovere le batterie. Rimuovere subito le batterie esaurite. Non cortocircuitare le batterie, perché ciò potrebbe provocare forte riscaldamento, perdita di liquido o esplosione. Non tentare di riattivare le batterie riscaldandole. Non disassemblare le batterie. Dopo l'utilizzo, non dimenticare di spegnere l'apparecchio. Per evitare il rischio di ingestione, soffocamento o intossicazione, tenere le batterie fuori dalla portata dei bambini. Disporre delle batterie esaurite secondo le norme vigenti nel proprio paese.

Garanzia Levenhuk

I prodotti ottici Levenhuk sono coperti da **2 anni di garanzia** per quanto riguarda i difetti di fabbricazione e dei materiali. Tutti gli accessori Levenhuk godono di una garanzia di **2 anni** a partire dalla data di acquisto per quanto riguarda i difetti di fabbricazione e dei materiali. La garanzia conferisce il diritto alla riparazione o sostituzione gratuita del prodotto Levenhuk in tutti i paesi in cui è presente una sede Levenhuk, a patto che tutte le condizioni di garanzia siano rispettate.

Per maggiori dettagli, visitare il nostro sito web: www.levenhuk.eu/warranty

Per qualsiasi problema di garanzia o necessità di assistenza per l'utilizzo del prodotto, contattare la filiale Levenhuk di zona.

PL Stacja meteorologiczna Discovery Report WA60

Zawartość zestawu: stacja główna, czujnik wiatru, deszczomierz, zasilacz sieciowy, instrukcja obsługi i karta gwarancyjna.



Uwaga! Należy pamiętać, że zasilanie sieciowe w większości krajów europejskich wynosi 220–240 V. Jeśli urządzenie ma być używane w państwie, w którym napięcie sieciowe ma inną wartość, należy koniecznie zastosować przetwornik.

Pierwsze kroki

Stacja główna

- Podłącz przewód zasilający do urządzenia, a następnie podłącz zasilacz do gniazdka sieciowego; lub
- Otwórz pokrywę komory baterii (20) i włóż 3 baterie zgodnie z prawidłowymi oznaczeniami polaryzacji. Zamknij pokrywę.



UWAGA! Jeśli stacja główna pracuje przez cały czas, zaleca się stosowanie zasilacza, chociaż można również używać zasilania bateryjnego. W trybie zasilania bateryjnego podświetlenie włącza się tylko na krótki czas.

- Po włożeniu baterii stacja główna będzie wyszukiwać urządzenia zewnętrzne przez pierwsze 5 minut. Następnie można ręcznie skonfigurować stację główną do odbierania sygnału z urządzeń zewnętrznych. Aby to zrobić, naciśnij i przytrzymaj przez 2 sekundy przycisk **CHANNEL** (KANAL).
- Skuteczny zasięg różni się w zależności od miejsca ustawienia stacji głównej. Ze względu na zakłócenia (różne urządzenia sterowane zdalnie itp.), maksymalna odległość między stacją główną a urządzeniem zewnętrznym może być znacznie ograniczona. W takich przypadkach zalecamy nieznacznie zmienić pozycję stacji głównej i czujnika. Czasami wystarczy przestawić jedno z urządzeń zaledwie o parę centymetrów!

Czujnik wiatru

- Ustaw stację główną oraz czujnik zdalny względem siebie w odległości skutecznego zasięgu nadawania sygnału. Otwórz pokrywę komory baterii (3) i włóż 4 baterie zgodnie z prawidłowymi oznaczeniami polaryzacji.
- Ustaw przełącznik kanałów (8) w pozycji tego samego kanału, który został ustawiony w stacji głównej, a następnie naciśnij przycisk **TX**. Sprawdź, czy stacja główna odbiera sygnał. W razie potrzeby naciśnij przycisk **TX** jeszcze raz. W przypadku prawidłowego odbioru sygnału na wyświetlaczu stacji głównej zostanie wyświetlona wartość temperatury i wilgotności. Zamknij pokrywę komory baterii.
- Włóż aluminiowy słupek (2) w podstawę montażową i zamocuj go śrubami (w zestawie). Przykręć podstawę do drewnianej lub murewanej ściany dostarczonymi śrubami i zabezpiecz zaślepkami. Nasuń górną część czujnika wiatru na słupek i przykręć śrubami.
- Czujnik prędkości wiatru, element do pomiaru temperatury, wilgotności i kierunku wiatru muszą być skierowane na południe. Ustaw zewnętrzny czujnik wiatru, używając kompasu, aby stacja meteorologiczna wskazywała prawidłowy kierunek wiatru.

Deszczomierz

- Otwórz pokrywę komory baterii (6) i włóż 2 baterie zgodnie z prawidłowymi oznaczeniami polaryzacji. Zamknij pokrywę i przykręć ją śrubami.
- Zamocuj deszczomierz, wkręcając śruby przez stopkę montażową (3). Aby wymienić baterie, w pierwszej kolejności odkręć deszczomierz.

Ustawianie czasu

Naciśnij przycisk **MODE** (CZAS). Naciśnij i przytrzymaj przez 3 sekundy przycisk **SET** (USTAW). Cyfry, które można ustawić, zaczną migać. Naciśnij przycisk **UP** (W GÓRĘ) lub **DOWN** (W DÓŁ), aby zmienić wartość, a następnie naciśnij przycisk **SET** (USTAW), aby kontynuować.

Kolejność ustawiania: Strefa czasowa > Czas letni > Rok > Miesiąc-Dzień lub Dzień-Miesiąc > Miesiąc > Format 12-/24-godzinny > Godzina > Minuty > Sekundy.

Ustawianie budzika

- Aby aktywować budzik 1 i/lub budzik 2, naciśnij przycisk **ALARM** (BUDZIK).
- Aby ustawić budzik 1 i budzik 2, w pierwszej kolejności naciśnij dwukrotnie przycisk **MODE** (TRYB). Naciśnij i przytrzymaj przez 3 sekundy przycisk **SET** (USTAW). Cyfry, które można ustawić, zaczną migać. Naciśnij przycisk **UP** (W GÓRĘ) lub **DOWN** (W DÓŁ), a następnie naciśnij przycisk **SET** (USTAW), aby kontynuować.
- Kolejność ustawiania: Godziny budzika 1 > Minuty budzika 1 > Godziny budzika 2 > Minuty budzika 2.
- Gdy sygnał budzika jest włączony, naciśnij przycisk **SNOOZE/LIGHT** (DRZEMKA/PODŚWIETLENIE), aby włączyć funkcję drzemki. Budzik włączy się ponownie po 5 minutach.
- Naciśnij dowolny przycisk, aby wyłączyć alarm. Alarm włączy się ponownie o ustawionej godzinie.

Ustawianie wysokości dla ciśnienia atmosferycznego

Naciśnij trzykrotnie przycisk **MODE** (TRYB). Naciśnij i przytrzymaj przez 3 sekundy przycisk **SET** (USTAW). Cyfry, które można ustawić, zaczną migać. Naciśnij przyciski **UP** (W GÓRĘ) lub **DOWN** (W DÓŁ), aby ustawić żadaną wysokość.

Ustawianie alarmu temperatury

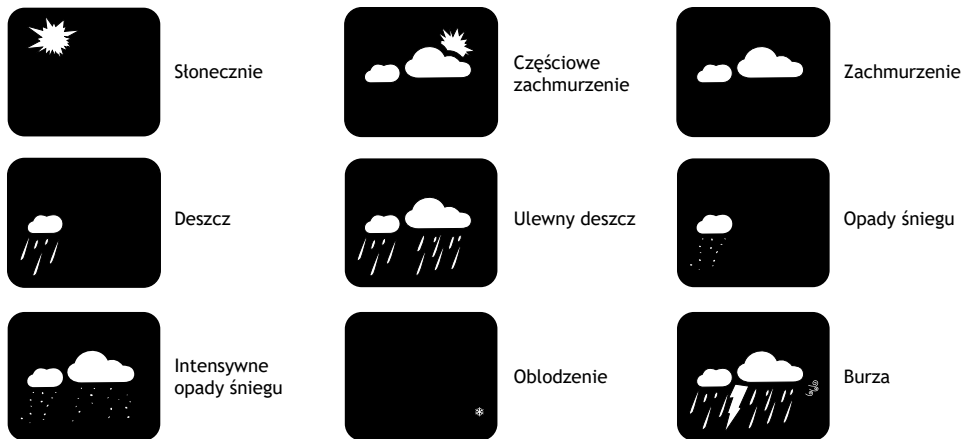
Naciśnij czterokrotnie przycisk **MODE** (TRYB). Naciśnij i przytrzymaj przez 3 sekundy przycisk **SET** (USTAW). Cyfry, które można ustawić, zaczną migać. Naciśnij przyciski **UP** (W GÓRĘ) lub **DOWN** (W DÓŁ), aby ustawić wartość. Naciśnij przycisk **SET** (USTAW), aby kontynuować.

Kolejność ustawiania: Alarm niskiej temperatury zewnętrznej > Włączenie/wyłączenie alarmu niskiej temperatury zewnętrznej > Alarm wysokiej temperatury zewnętrznej > Włączenie/wyłączenie alarmu wysokiej temperatury zewnętrznej > Alarm niskiej temperatury wewnętrznej > Włączenie/wyłączenie alarmu niskiej temperatury wewnętrznej > Alarm wysokiej temperatury wewnętrznej > Włączenie/wyłączenie alarmu wysokiej temperatury wewnętrznej.

Jednostki miar

- Naciśnij przycisk **SET** (USTAW), aby przełączać jednostki między °C i °F.
- Naciśnij trzykrotnie przycisk **MODE** (TRYB). Naciśnij i przytrzymaj przez 3 sekundy przycisk **SET** (USTAW). Naciśnij ponownie przycisk **SET** (USTAW), aby przejść do trybu ustawień. Cyfry, które można ustawić, zaczną migać. Naciśnij przyciski **UP** (W GÓRĘ) lub **DOWN** (W DÓŁ), aby przełączać między następującymi jednostkami: inHg, hPa i mm Hg.
- Naciśnij pięciokrotnie przycisk **MODE** (TRYB). Naciśnij i przytrzymaj przez 3 sekundy przycisk **SET** (USTAW). Cyfry, które można ustawić, zaczną migać. Naciśnij przyciski **UP** (W GÓRĘ) lub **DOWN** (W DÓŁ), aby przełączać między następującymi jednostkami: mm i cale.
- Naciśnij sześciokrotnie przycisk **MODE** (TRYB). Naciśnij i przytrzymaj przez 3 sekundy przycisk **SET** (USTAW). Cyfry, które można ustawić, zaczną migać. Naciśnij przyciski **UP** (W GÓRĘ) lub **DOWN** (W DÓŁ), aby przełączać między następującymi jednostkami: km/h i mph.

Prognoza pogody



Zapisywanie historii

- Naciśnij przycisk **UP** (W GÓRĘ), aby wyświetlić maksymalną lub minimalną prędkość wiatru, temperaturę i wilgotność. Przytrzymaj wciśnięty przycisk **UP** (W GÓRĘ), aby usunąć rekordy historii.
- Naciśnij przycisk **DOWN** (W DÓŁ), aby wyświetlić historię opadów deszczu. Kolejność wyświetlania: dzisiaj > ostatnia godzina > wczoraj > w tym tygodniu. Przytrzymaj wciśnięty przycisk **DOWN** (W DÓŁ), aby usunąć rekordy historii.

Faza Księżyca



Nów



Sierp przybywający



Pierwsza kwadra



Księżyc przed
pełnią



Pełnia



Ubywający Księżyc



Ostatnia kwadra



Sierp ubywający

Wyświetlana faza Księżyca jest powiązana z datą, rokiem i godziną. Gwiazdy są wyświetlane między godzinami 18:00 i 6:00.

Dane techniczne

Stacja główna	
Wilgotność powietrza, jednostki miary	% (RH - wilgotność względna)
Zakres wilgotności pracy	1–99%
Temperatura, jednostki miary	°F, °C
Zakres temperatury pracy (wewnątrz)	-10... +50 °C, alarm wys./nis. temp., gdy wartość jest poza zakresem
Ciśnienie atmosferyczne, jednostki miary	inHg, hPa, mm Hg
Zakres ciśnienia atmosferycznego pracy	800... 1100 hPa
Ekran	kolorowy, z podświetleniem LED
Zasilanie	zasilacz sieciowy 5 V, 300 mA (w zestawie), 3 baterie AAA (sprzedawane osobno)
Wymiary	191,6x127x16 mm

Urządzenia zewnętrzne	
Częstotliwość sygnału radiowego	433,92 MHz
Promień sygnału radiowego	100 m
Zakres temperatury pracy (na zewnątrz)	-40... +70 °C, alarm wys./nis. temp., gdy wartość jest poza zakresem
Kierunek wiatru	360°; 16 kierunków
Prędkość wiatru, jednostki miary	mph, km/h
Zakres prędkości wiatru	0... 159 km/h
Opady atmosferyczne, jednostki miary	mm, cale
Zakres opadów atmosferycznych	0... 5994,4 mm
Zasilanie (czujnik wiatru)	4 baterie AA (sprzedawane osobno)
Zasilanie (deszczomierz)	2 baterie AA (sprzedawane osobno)
Wymiary (czujnik wiatru)	152x279x393 mm
Wymiary (deszczomierz)	166x105,5x118 mm

Producent zastrzega sobie prawo wprowadzenia zmian w ofercie produktów i specyfikacjach bez uprzedniego powiadomienia.

Konserwacja i pielęgnacja

- Zachowaj szczególną ostrożność, gdy urządzenia używają dzieci lub osoby, które nie w pełni zapoznały się z instrukcjami.
- Nie podejmuj prób samodzielnego demontażu urządzenia. W celu wszelkich napraw i czyszczenia skontaktuj się z punktem serwisowym.
- Chronić urządzenie przed upadkami z wysokości i działaniem nadmiernej siły mechanicznej.
- Przyrząd powinien być przechowywany w suchym, chłodnym miejscu, z dala od niebezpiecznych kwasów oraz innych substancji chemicznych, grzejników, otwartego ognia i innych źródeł wysokiej temperatury.
- Urządzenie powinno być używane tylko w całkowicie suchym otoczeniu. Nie wolno dotykać urządzenia mokrymi lub wilgotnymi dłońmi.
- Należy używać wyłącznie akcesoriów i części zamiennych zgodnych ze specyfikacjami technicznymi tego urządzenia.
- Przed użyciem należy sprawdzić, czy urządzenie, przewody i złącza nie są uszkodzone.
- Nie wolno używać uszkodzonego urządzenia ani urządzenia z uszkodzonymi elementami elektrycznymi! Uszkodzone elementy należy natychmiast wymienić w autoryzowanym punkcie serwisowym.
- W razie poknięcia jakiegokolwiek części lub baterii należy natychmiast skontaktować się z lekarzem.
- Dzieci mogą używać tego urządzenia tylko pod nadzorem osoby dorosłej.

Instrukcje dotyczące bezpiecznego obchodzenia się z bateriami

Należy używać baterii odpowiedniego typu i w odpowiednim rozmiarze. Należy wymieniać wszystkie baterie jednocześnie; nie należy łączyć starych i nowych baterii ani baterii różnych typów. Przed włożeniem baterii należy wyczyścić styki baterii i urządzenia. Podczas wkładania baterii należy zwracać uwagę na ich bieguny (znaki + i -). Jeśli sprzęt nie będzie używany przez dłuższy czas, należy wyjąć baterie. Zużyte baterie należy natychmiast wyjąć. Nie doprowadzać do zwarcia baterii, ponieważ wiąże się to z ryzykiem powstania wysokich temperatur, wycieku lub wybuchu. Nie ogrzewać baterii w celu przedłużenia czasu ich działania. Nie demontuj baterii. Należy pamiętać o wyłączeniu urządzenia po zakończeniu użytkowania. Baterie przechowywać w miejscu niedostępnym dla dzieci, aby uniknąć ryzyka poknięcia, uduszenia lub zatrucia. Zużyte baterie należy utylizować zgodnie z obowiązującymi lokalnie przepisami.

Gwarancja Levenhuk

Produkty optyczne Levenhuk mają **2-letnią gwarancję** na wady materiałowe i wykonawcze. Wszystkie akcesoria Levenhuk są wolne od wad materiałowych oraz wykonawczych i pozostaną takie przez **2 lata** od daty zakupu detalicznego. Levenhuk naprawi lub wymieni produkt w dowolnym kraju, w którym Levenhuk posiada swój oddział, o ile spełnione będą warunki gwarancji.

Więcej informacji na ten temat podano na stronie: www.levenhuk.pl/gwarancja

W przypadku wątpliwości związanych z gwarancją lub korzystaniem z produktu, proszę skontaktować się z lokalnym przedstawicielem Levenhuk.

PT Estação meteorológica Discovery Report WA60

O kit inclui: estação base, sensor de vento, pluviômetro, adaptador de CC, manual do utilizador e garantia.



Atenção! Lembre-se de que a tensão da rede de alimentação na maioria dos países europeus é de 220–240 V. Se quiser utilizar o seu dispositivo num país com uma tensão de rede de alimentação diferente, tem de utilizar um transformador.

Introdução

Estação base

- Ligue o cabo de alimentação ao dispositivo e ligue o adaptador de CC à fonte de alimentação de CA; ou
- Abra a tampa do compartimento das pilhas (20) e insira 3 pilhas de acordo com as marcas de polaridade corretas. Feche a tampa.



NOTA! Recomenda-se a utilização de um adaptador para assegurar o funcionamento permanente da estação base, embora também seja possível utilizar pilhas. No modo de bateria, a luz de fundo acende-se apenas por pouco tempo.

- Uma vez colocadas as pilhas, a estação base irá procurar as unidades exteriores durante os primeiros 5 minutos. Depois disso, a estação base pode ser definida manualmente para receber. Para tal, prima o botão CHANNEL (canal) durante 2 segundos.
- O alcance efetivo pode variar dependendo da posição da unidade. Devido a interferências (vários dispositivos de controlo remoto, etc.), a distância máxima entre a unidade base e a unidade exterior pode diminuir significativamente. Nestes casos, sugerimos que se mova um pouco a unidade base e o sensor. Por vezes basta mover uma destas unidades alguns centímetros!

Sensor de vento

- Coloque a estação base e o sensor remoto dentro do alcance de transmissão efetivo. Abra a tampa do compartimento das pilhas (3) e insira 4 pilhas de acordo com as marcas de polaridade corretas.
- Coloque o seletor de canais (8) no mesmo canal selecionado na estação base e, em seguida, prima o botão TX. Verifique se a estação base recebeu o sinal. Prima o botão TX mais uma vez, se necessário. Se a receção for bem-sucedida, o ecrã da estação base irá mostrar a temperatura e a humidade. Feche a tampa do compartimento das pilhas.
- Insira a haste de alumínio (2) na base de montagem e fixe-a com os parafusos (incluídos). Aparafuse a base a uma parede de madeira ou pedra utilizando os parafusos e buchas fornecidos. Deslize a parte superior do sensor de vento para a haste e fixe-a com os parafusos.
- A parte do sensor de velocidade do vento, temperatura, humidade e direção do vento deve estar virada para sul. Oriente a unidade de vento exterior utilizando a bússola para assegurar a direção correta do vento.

Pluviômetro

- Abra a tampa do compartimento das pilhas (6) e insira 2 pilhas de acordo com as marcas de polaridade corretas. Feche a tampa e fixe-a com os parafusos.
- Aperte o pluviômetro, inserindo os parafusos nos pés de montagem (3). Para substituir as pilhas, desaparafuse primeiro o pluviômetro.

Acertar a hora

Prima o botão **MODE** (modo). Mantenha premido o botão **SET** (definir) durante 3 segundos. Os dígitos que devem ser definidos estão a piscar. Prima **UP** (para cima) ou **DOWN** (para baixo) para alterar o valor e, em seguida, prima **SET** (definir) para continuar.

A ordem de definição: Fuso horário > Hora de verão > Dia > Ano > Mês-Dia ou Dia-Mês > Mês > 12/24h > Hora > Minutos > Segundos.

Definição do alarme

- Para ativar o alarme 1 e/ou o alarme 2, prima o botão **ALARM** (alarme).
- Para definir o alarme 1 e o alarme 2, prima primeiro o botão **MODE** (modo) 2 vezes. Mantenha premido o botão **SET** (definir) durante 3 segundos. Os dígitos que devem ser definidos estão a piscar. Prima **UP** (para cima) ou **DOWN** (para baixo) para alterar o valor e depois prima o botão **SET** (Definir) para continuar.
- A ordem de definição: Alarme 1 horas > Alarme 1 minutos > Alarme 2 horas > Alarme 2 minutos.
- Quando o alarme tocar, prima **SNOOZE/LIGHT** (suspensão/iluminação) para ativar a função de suspensão. O alarme soará novamente dentro de 5 minutos.
- Prima qualquer botão para silenciar o alarme até ser atingido novamente o tempo de alarme definido.

Definição da altura da pressão atmosférica

Prima o botão **MODE** (modo) 3 vezes. Mantenha premido o botão **SET** (definir) durante 3 segundos. Os dígitos que devem ser definidos estão a piscar. Prima o botão **UP** (para cima) ou **DOWN** (para baixo) para definir a altura desejada.

Definição do alerta de temperatura

Prima o botão **MODE** (modo) 4 vezes. Mantenha premido o botão **SET** (definir) durante 3 segundos. Os dígitos que devem ser definidos estão a piscar. Prima o botão **UP** (para cima) ou **DOWN** (para baixo) para alterar o valor. Prima o botão **SET** (definir) para continuar.

A ordem de definição: Alerta de temperatura exterior baixo > Alerta de temperatura exterior baixo ligado/desligado > Alerta de temperatura exterior alto > Alerta de temperatura exterior alto ligado/desligado > Alerta de temperatura interior baixo > Alerta de temperatura interior baixo ligado/desligado > Alerta de temperatura interior alto > Alerta de temperatura interior alto ligado/desligado.

Unidades de medida

- Prima o botão **SET** (definir) para alternar entre °C e °F.
- Prima o botão **MODE** (modo) 3 vezes. Mantenha premido o botão **SET** (definir) durante 3 segundos. Prima novamente o botão **SET** (definir) para entrar no modo de definição. Os dígitos que devem ser definidos estão a piscar. Prima o botão **UP** (para cima) ou **DOWN** (para baixo) para alternar entre inHg, hPa e mmgh.
- Prima o botão **MODE** (modo) 5 vezes. Mantenha premido o botão **SET** (definir) durante 3 segundos. Os dígitos que devem ser definidos estão a piscar. Prima **UP** (para cima) ou **DOWN** (para baixo) para alternar entre mm e polegadas.
- Prima o botão **MODE** (modo) 6 vezes. Mantenha premido o botão **SET** (definir) durante 3 segundos. Os dígitos que devem ser definidos estão a piscar. Prima o botão **UP** (para cima) ou **DOWN** (para baixo) para alternar entre km/h e mph.

Previsão do tempo



Ensolarado



Parcialmente nublado



Nublado



Chuvoso



Chuva forte



Neve



Neve intensa



Gelo



Tempestade

Registo histórico

- Prima o botão **UP** (para cima) para apresentar a velocidade do vento, a temperatura e a humidade MÁX./MÍN. Mantenha premido o botão **UP** (para cima) para limpar os registos do histórico.
- Prima o botão **DOWN** (para baixo) para apresentar o histórico de precipitação. A ordem de apresentação: hoje > última hora > ontem > esta semana. Mantenha premido o botão **DOWN** (para cima) para limpar os registos do histórico.

Fase lunar



Lua nova



Lua crescente



Quarto crescente



Lua crescente
gibosa



Lua cheia



Lua minguante
gibosa



Quarto minguante



Lua minguante

A apresentação da fase lunar está ligada à data, ano e hora. As estrelas são apresentadas entre as 18 horas e as 6 horas.

Especificações

Estação base	
Humidade do ar, unidades de medição	% (HR)
Intervalo de humidade de funcionamento	1... 99%
Temperatura, unidades de medição	°F, °C
Intervalo de temperatura de funcionamento (interior)	-10... +50 °C, HI/LO quando fora do intervalo
Pressão do ar, unidades de medição	inHg, hPa, mmgh
Intervalo de pressão do ar de funcionamento	800 a 1100 hPa
Ecrã	cor, com uma luz de fundo LED
Fonte de alimentação	adaptador de CA/CC 5 V 300 mA (incluído); 3 pilhas AAA (não incluídas)
Dimensões	191,6X127x16 mm

Unidades exteriores	
Frequência do sinal de rádio	433,92 MHz
Raio do sinal de rádio	100 m
Intervalo de temperatura de funcionamento (exterior)	-40... +70 °C, HI/LO quando fora do intervalo
Direção do vento	360°; 16 direções
Velocidade do vento, unidades de medida	mph, km/h
Intervalo de velocidade do vento	0... 159 km/h
Precipitação, unidades de medição	mm, pol.
Intervalo de precipitação de funcionamento	0... 5994,4 mm
Fonte de alimentação (sensor de vento)	4 pilhas AA (não incluídas)
Fonte de alimentação (pluviómetro)	2 pilhas AA (não incluídas)
Dimensões (sensor de vento)	152x279x393 mm
Dimensões (pluviómetro)	166x105,5x118 mm

O fabricante se reserva no direito de fazer alterações na variedade e nas especificações dos produtos sem notificação prévia.

Cuidado e manutenção

- Tome as precauções necessárias quando usar o dispositivo com crianças ou com outras pessoas que não leram ou não compreenderam totalmente estas instruções.
- Não tente desmontar o dispositivo por conta própria, por qualquer motivo. Para fazer reparações e limpezas de qualquer tipo, entre em contato com o centro local de serviços especializados.
- Proteja o dispositivo de impactos súbitos e de força mecânica excessiva.
- Guarde o dispositivo num local seco e fresco, longe de ácidos perigosos e outros produtos químicos, de aquecedores, de fogo e de outras fontes de altas temperaturas.
- Utilize o dispositivo apenas num ambiente completamente seco e não toque no dispositivo com partes do corpo molhadas ou húmidas.
- Utilize apenas acessórios e peças sobressalentes para este dispositivo que estejam em conformidade com as especificações técnicas.
- Verifique este dispositivo e os respetivos cabos e ligações quanto a eventuais danos antes da sua utilização.
- Nunca tente utilizar um dispositivo danificado ou um dispositivo com peças elétricas danificadas! As peças danificadas devem ser imediatamente substituídas por um agente de serviço autorizado.
- Se uma parte do dispositivo ou a bateria for engolida, procure imediatamente assistência médica.
- **As crianças só devem utilizar o dispositivo sob supervisão de um adulto.**

Instruções de segurança da bateria

Compre sempre baterias do tamanho e grau mais adequados para o uso pretendido. Substitua sempre o conjunto de baterias de uma só vez; tome cuidado para não misturar baterias antigas com novas, ou baterias de tipos diferentes. Limpe os contactos da bateria, e também os do dispositivo, antes da instalação da bateria. Certifique-se de que as baterias estão instaladas corretamente no que respeita à sua polaridade (+ e -). Remova as baterias do equipamento se este não for ser usado por um período prolongado de tempo. Remova as baterias usadas prontamente. Nunca coloque as baterias em curto-circuito, pois isso pode causar altas temperaturas, derrame ou explosão. Nunca aqueça as baterias com o intuito de as reanimar. Não desmonte as baterias. Lembre-se de desligar os dispositivos após a utilização. Mantenha as baterias fora do alcance das crianças, para evitar o risco de ingestão, sufocação ou envenenamento. Use as baterias da forma prescrita pelas leis do seu país.

Garantia Levenhuk

Os produtos ópticos Levenhuk estão abrangidos por **uma garantia de 2 anos** contra defeitos de material e de fabrico. Todos os acessórios Levenhuk têm a garantia de isenção de defeitos de material e de fabrico durante **2 anos** a partir da data de compra a retalho. A garantia inclui o direito à reparação ou substituição gratuita do produto Levenhuk em qualquer país que tenha uma filial da Levenhuk, caso estejam reunidas todas as condições da garantia.

Para mais detalhes, visite o nosso web site: www.levenhuk.eu/warranty

Se surgirem problemas relacionados à garantia ou se for necessária assistência no uso do produto, contate a filial local da Levenhuk.

RU Метеостанция Discovery Report WA60

Комплект поставки: основной блок, датчик ветра, дождемер, кабель питания, инструкция по эксплуатации и гарантийный талон.



ВНИМАНИЕ! Помните, что напряжение сети в России и большинстве европейских стран составляет 220–240 В. Если вы хотите использовать устройство в стране с другим стандартом сетевого напряжения, необходимо включать его в розетку только через соответствующий конвертер (преобразователь напряжения).

Начало работы

Основной блок

- Подсоедините кабель питания к прибору и включите в сеть; или
- Снимите крышку батарейного отсека (20), вставьте 3 батарейки, соблюдая полярность. Закройте отсек.



ВНИМАНИЕ! Рекомендуется использовать сетевой адаптер для непрерывной работы основного блока, хотя возможно и питание от батареек. В режиме батареек подсветка включается кратковременно.

- После установки батареек основной блок начнет автоматически искать внешние датчики в течение 5 минут. После этого можно настроить основной блок на прием ручную, нажав и удерживая кнопку CHANNEL (Канал).
- На эффективный диапазон передачи может влиять расположение прибора. Находящиеся поблизости радиуправляемые устройства могут существенно сократить радиус передачи сигнала. В таких случаях рекомендуется немного переместить основной блок и датчики. Иногда достаточно переместить одно из этих устройств всего на несколько сантиметров.

Датчик ветра

- Расположите внешний датчик и основной блок в пределах эффективного диапазона передачи. Снимите крышку батарейного отсека (3), вставьте 4 батарейки, соблюдая полярность.
- С помощью переключателя каналов (8) установите на датчике то же канал, что и на основном блоке, а затем нажмите кнопку TX. Убедитесь, что на основном блоке сигнал получен. При необходимости нажмите кнопку TX еще раз. Когда сигнал будет получен, на экране отобразятся значения температуры и влажности наружного воздуха. Закройте батарейный отсек.
- Вставьте алюминиевый стержень (2) в монтажное основание и закрепите его винтами (входят в комплект). Прикрутите основание к деревянной или каменной стене с помощью прилагаемых винтов и заглушек. Наденьте верхнюю часть датчика ветра на стержень и закрепите его винтами.
- Части датчика ветра, отвечающие за определение скорости ветра, температуры, влажности и направления ветра, должны быть обращены на юг. Сориентируйте датчик ветра с помощью компаса, чтобы обеспечить правильное направление ветра.

Дождемер

- Снимите крышку батарейного отсека (6), вставьте 2 батарейки, соблюдая полярность. Закройте отсек и закрепите его винтами.
- Закрепите дождемер, вставив винты в лапы крепления (3). Чтобы заменить батарейки, сначала отвинтите дождемер.

Настройка часов

Нажмите кнопку MODE (Режим). Нажмите и удерживайте кнопку SET (Настройка) в течение 3 секунд. Цифры, готовые к установке, начнут мигать. Нажмите кнопку UP (Вверх) или DOWN (Вниз), чтобы изменить значение, после нажмите SET (Настройка) для подтверждения ввода и перехода к следующему значению.

Порядок установки: Часовой пояс > Переход на летнее время > Год > Формат даты > Месяц > 12 часов или 24 часа > Часы > Минуты > Секунды.

Настройка будильника

- Чтобы включить будильник 1 и (или) будильник 2, нажмите кнопку ALARM (Будильник).
- Чтобы установить будильник 1 и будильник, сначала дважды нажмите кнопку MODE (Режим). Нажмите и удерживайте кнопку SET (Настройка) в течение 3 секунд. Цифры, готовые к установке, начнут мигать. Нажмите кнопку UP (Вверх) или DOWN (Вниз), чтобы изменить значение, после нажмите SET (Настройка) для подтверждения ввода и перехода к следующему значению.
- Порядок установки: Часы (Будильник 1) > Минуты (Будильник 1) > Часы (Будильник 2) > Минуты (Будильник 2).
- Когда раздастся сигнал будильника, нажмите кнопку SNOOZE/LIGHT (Повтор/Подсветка), чтобы включить функцию повтора. Сигнал будильника сработает повторно через 5 минут.
- Нажмите любую кнопку, чтобы отключить сигнал до следующего установленного будильника.

Установка высоты для измерения атмосферного давления

Трижды нажмите кнопку **MODE** (Режим). Нажмите и удерживайте кнопку **SET** (Настройка) в течение 3 секунд. Цифры, готовые к установке, начнут мигать. Нажмите кнопку **UP** (Вверх) или **DOWN** (Вниз), чтобы установить желаемое значение высоты.

Настройка предупреждения о температуре

Нажмите кнопку **MODE** (Режим) 4 раза. Нажмите и удерживайте кнопку **SET** (Настройка) в течение 3 секунд. Нажмите кнопку **UP** (Вверх) или **DOWN** (Вниз), чтобы изменить значение, после нажмите **SET** (Настройка) для подтверждения ввода и перехода к следующему значению.

Порядок установки: Предупреждение о низкой температуре на улице > Предупреждение о низкой температуре на улице вкл./выкл. > Предупреждение о высокой температуре на улице > Предупреждение о высокой температуре на улице вкл./выкл. > Предупреждение о низкой температуре в помещении > Предупреждение о низкой температуре в помещении вкл./выкл. > Предупреждение о высокой температуре в помещении > Предупреждение о высокой температуре в помещении вкл./выкл.

Единицы измерения

- Нажмите кнопку **SET** (Настройка), чтобы переключиться между градусами Цельсия ($^{\circ}\text{C}$) и градусами Фаренгейта ($^{\circ}\text{F}$).
- Нажмите кнопку **MODE** (Режим) 3 раза. Нажмите и удерживайте кнопку **SET** (Настройка) в течение 3 секунд. Снова нажмите кнопку **SET** (Настройка). Цифры, готовые к установке, начнут мигать. Нажмите кнопку **UP** (Вверх) или **DOWN** (Вниз), чтобы переключиться между дюймами ртутного столба (inHg), гектопаскалями (hPa) и миллиметрами ртутного столба (mmHg).
- Нажмите кнопку **MODE** (Режим) 5 раз. Нажмите и удерживайте кнопку **SET** (Настройка) в течение 3 секунд. Цифры, готовые к установке, начнут мигать. Нажмите кнопку **UP** (Вверх) или **DOWN** (Вниз), чтобы переключиться между миллиметрами (mm) и дюймами (in.).
- Нажмите кнопку **MODE** (Режим) 5 раз. Нажмите и удерживайте кнопку **SET** (Настройка) в течение 3 секунд. Цифры, готовые к установке, начнут мигать. Нажмите кнопку **UP** (Вверх) или **DOWN** (Вниз), чтобы переключиться между километрами в час (km/h) и милями в час (mph).

Прогноз погоды



Запись изменений

- Нажмите кнопку **UP** (Вверх), чтобы отобразить максимальные и минимальные значения скорости ветра, температуры и влажности. Нажмите и удерживайте кнопку **UP** (Вверх), чтобы очистить значения.
- Нажмите кнопку **DOWN** (Вниз), чтобы отобразить историю изменений количества осадков. Последовательность отображения: количество осадков за текущий день > количество осадков за последний час > количество осадков за предыдущий день > количество осадков за текущую неделю. Нажмите и удерживайте кнопку **DOWN** (Вниз), чтобы очистить записи истории.

Фазы Луны



Новолуние



Молодая Луна



Первая четверть



Растущая Луна (между первой четвертью и полнолунием)



Полнолуние



Убывающая Луна
(между полнолунием и третьей четвертью)



Третья четверть



Старая Луна

Отображение фазы Луны связано с днем, годом и промежутком времени. Между 18:00 и 06:00 на экране отображаются звезды.

Технические характеристики

Основной блок	
Влажность воздуха, единицы измерения	% (RH)
Диапазон измерения влажности	1... 99%
Температура, единицы измерения	°F, °C
Диапазон измерения температуры в помещении	-10... +50 °C, HI/LO вне диапазона
Атмосферное давление, единицы измерения	дюймы рт. ст., ГПа, мм рт. ст.
Диапазон измерения атмосферного давления	800... 1100 гПа
Экран	цветной, с подсветкой
Источник питания	сетевой адаптер 5 В, 300 мА (в комплекте), 3 батарейки AAA (нет в комплекте)
Размеры	191,6x127x16 мм
Внешние датчики	
Частота радиосигнала	433,92 МГц
Радиус радиосигнала	100 м
Диапазон измерения температуры на улице	-40... +70 °C, HI/LO вне диапазона
Направление ветра	360°; 16 направлений ветра
Скорость ветра, единицы измерения	мили/ч, км/ч
Диапазон измерения скорости ветра	0... 159 км/ч
Осадки, единицы измерения	мм, дюймы
Диапазон измерения осадков	0... 5994,4 мм
Источник питания (датчик ветра)	4 батарейки AA (нет в комплекте)
Источник питания (дождемер)	2 батарейки AA (нет в комплекте)
Размеры (датчик ветра)	152x279x393 мм
Размеры (дождемер)	166x105,5x118 мм

Производитель оставляет за собой право вносить любые изменения в модельный ряд и технические характеристики или прекращать производство изделия без предварительного уведомления.

Уход и хранение

- Будьте внимательны, если пользуетесь прибором вместе с детьми или людьми, не знакомыми с инструкцией.
- Не разбирайте прибор. Сервисные и ремонтные работы могут проводиться только в специализированном сервисном центре.
- Оберегайте прибор от резких ударов и чрезмерных механических воздействий.
- Храните прибор в сухом прохладном месте, недоступном для воздействия кислот или других активных химических веществ, вдали от отопителей (бытовых, автомобильных), открытого огня и других источников высоких температур.
- Используйте устройство только в полностью сухих помещениях, ни в коем случае не допускайте соприкосновения устройства с влажными или мокрыми участками кожи.
- Используйте только аксессуары и запасные детали, соответствующие техническим характеристикам прибора.
- Перед началом работы проверьте устройство, кабели и контакты на наличие повреждений.
- Никогда не используйте поврежденное устройство или устройство с поврежденными электрическими деталями! Поврежденные детали должны быть немедленно заменены в авторизованном сервисном центре.
- Если деталь прибора или элемент питания были проглочены, срочно обратитесь за медицинской помощью.
- **Дети могут пользоваться прибором только под присмотром взрослых.**

Использование элементов питания

Всегда используйте элементы питания подходящего размера и соответствующего типа. При необходимости замены элементов питания меняйте сразу весь комплект, не смешивайте старые и новые элементы питания и не используйте элементы питания разных типов одновременно. Перед установкой элементов питания очистите контакты элементов и контакты в корпусе прибора. Устанавливайте элементы питания в соответствии с указанной полярностью (+ и -). Если прибор не используется длительное время, следует вынуть из него элементы питания. Оперативно вынимайте из прибора использованные элементы питания. Никогда не закорачивайте полюса элементов питания — это может привести к их перегреву, протечке или взрыву. Не пытайтесь нагревать элементы питания, чтобы восстановить их работоспособность. Не разбирайте элементы питания. Выключайте прибор после использования. Храните элементы питания в недоступном для детей месте, чтобы избежать риска их проглатывания, удушья или отравления. Утилизируйте использованные батарейки в соответствии с предписаниями закона.

Гарантия Levenhuk

Компания Levenhuk гарантирует отсутствие дефектов в материалах конструкции и дефектов изготовления изделий. Продавец гарантирует соответствие качества приобретенных вами изделий компании Levenhuk требованиям технической документации при соблюдении потребителем условий и правил транспортировки, хранения и эксплуатации изделия. Срок гарантии: на аксессуары — **6 (шесть) месяцев** со дня покупки, на остальные изделия **гарантия действует 2 (два) года**. Гарантия позволяет бесплатно отремонтировать или обменять продукт Levenhuk, подпадающий под условия гарантии, в любой стране, где есть офис Levenhuk.

Подробнее об условиях гарантийного обслуживания см. на сайте www.levenhuk.ru/support
По вопросам гарантийного обслуживания вы можете обратиться в ближайшее представительство компании Levenhuk.

TR Discovery Report WA60 Hava Durumu İstasyonu

Kit içeriği: gösterim konsolu, rüzgar sensörü, yağmur göstergesi, DC adaptörü, kullanım kılavuzu ve garanti.



Dikkat! Lütfen şebeke voltajının birçok Avrupa ülkesinde 220–240 V değerinde olduğunu unutmayın. Cihazınızı farklı bir şebeke voltajı standardına sahip bir ülkede kullanacaksanız, dönüştürücü kullanmanın kesinlikle gerekli olduğunu unutmayın.

Başlarken

Gösterim konsolu

- Güç kablosunu cihaza bağlayın, DC adaptörü AC güç kaynağına bağlayın veya
- Pil bölmesi kapağını (20) açın ve doğru kutuplarına uygun şekilde 3 pili yerleştirin. Kapağı kapatın.



NOT! Baz istasyonunun sürekli çalışması için adaptör kullanılması tavsiye edilir, ancak pil gücünden faydalanmak da mümkündür. Arka üçüncü pil modunda sadece kısa süreliğine yarar.

- Piller takıldığında gösterim konsolu ilk 5 dakika dış mekan ünitelerini arayacaktır. Bu bittikten sonra gösterim konsolu alım için manuel ayarlanabilir. Bunu yapmak için **CHANNEL (KANAL)** düğmesini 2 saniye süreyle basılı tutun.
- Etkili aralık ünitenin konumuna göre değişebilir. Parazit nedeniyle (çeşitli uzaktan kumanda cihazları, vb.), gösterim konsolu ile dış mekan ünitesi arasındaki maksimum mesafe anlamlı derecede azalabilir. Bu tür durumlarda, gösterim konsolu ve sensörü biraz hareket ettirmenizi öneririz. Bazen bu birimlerden birini sadece birkaç inç hareket ettirmek yeterli olur!

Rüzgar sensörü

- Gösterim konsolu ve uzak sensörü etkili iletim aralığı dahiline yerleştirin. Pil bölmesi kapağını (3) açın ve doğru kutuplarına uygun şekilde 4 pili yerleştirin.
- Kanal düğmesini (8) gösterim konsolunda seçili olanla aynıysa ayarlayın ve sonra **TX** düğmesine basın. Gösterim konsolunun sinyal alıp almadığını kontrol edin. Gerekirse **TX** düğmesine bir kez daha basın. Alım başarılıysa, gösterim konsolu sıcaklık ve nemi gösterecektir. Pil bölmesi kapağını kapatın.
- Alüminyum direği (2) montaj tabanına takın ve vidalarla (dahildir) sabitleyin. Tabanı birlikte verilen vida ve tapaları kullanarak ahşap veya taş bir duvara vidalayın. Rüzgar sensörünün üst kısmını direğin üzerine kaydırın ve vidalarla sabitleyin.
- Rüzgar hız sensörü, sıcaklık, nem ve rüzgar yönü parçası güneye bakmalıdır. Doğru rüzgar yönünü temin etmek için pusulayı kullanarak dış rüzgar ünitesini doğuya doğru yönlendirin.

Yağmur göstergesi

- Pil bölmesi kapağını (6) açın ve doğru kutuplarına uygun şekilde 2 pili yerleştirin. Kapağı kapatın ve vidalarla sabitleyin.
- Vidaları montaj ayağından (3) geçirip takarak yağmur ölççeğini sabitleyin. Pilleri yerleştirmek için, ilk önce yağmur göstergesinin vidalarını çıkarın.

Saat ayarı

MODE (MOD) düğmesine basın. **SET (AYARLA)** düğmesini 3 saniye basılı tutun. Ayarlanması gereken basamaklar yanıp söner. Değeri değiştirmek için **UP (YUKARI)** veya **DOWN (AŞAĞI)** düğmesine basın ve ardından devam etmek için **SET (AYARLA)** düğmesine basın.

Ayar sırası: Saat Dilimi > Yaz Saati > Yıl > Ay-Gün veya Gün-Ay > Ay > 12/24sa > Saat > Dakika > Saniye.

Alarm ayarı

- Alarm 1 ve/veya alarm 2'yi etkinleştirmek için, **ALARM** düğmesine basın.
- Alarm 1 ve/veya alarm 2'yi ayarlamak için, **MODE (MOD)** düğmesine 2 kez basın. **SET (AYARLA)** düğmesini 3 saniye basılı tutun. Ayarlanması gereken basamaklar yanıp söner. Değeri değiştirmek için **UP (YUKARI)** veya **DOWN (AŞAĞI)** düğmesine ve devam etmek için **SET (AYARLA)** düğmesine basın.
- Ayar sırası: Alarm1 saat > Alarm 1 dakika > Alarm 2 saat > Alarm 2 dakika.
- Alarm çaldığında, erteleme özelliğini etkinleştirmek için **SNOOZE/LIGHT (ERTELE/İŞİK)** düğmesine basın. Alarm 5 dakika içinde yeniden çalar.
- Ayarlanan alarm saatine yeniden ulaşılan kadar alarmı susturmak için herhangi bir düğmeye basın.

Atmosfer basıncı yükseklik ayarı

MODE (MOD) düğmesine 3 kez basın. **SET (AYARLA)** düğmesini 3 saniye basılı tutun. Ayarlanması gereken basamaklar yanıp söner. İstenilen yüksekliği girmek için **UP (YUKARI)** veya **DOWN (AŞAĞI)** basın.

Sıcaklık alarm ayarı

MODE (MOD) düğmesine 4 kez basın. **SET (AYARLA)** düğmesini 3 saniye basılı tutun. Ayarlanması gereken basamaklar yanıp söner. Değeri değiştirmek için **UP (YUKARI)** veya **DOWN (AŞAĞI)** düğmesine basın. Devam etmek için **SET (AYARLA)** düğmesine basın.

Ayar sırası: Dış mekan sıcaklık alarmı düşük > Dış mekan sıcaklık alarmı düşük aç/kapat > Dış mekan sıcaklık alarmı yüksek > Dış mekan sıcaklık alarmı yüksek aç/kapat > İç mekan sıcaklık alarmı düşük > İç mekan sıcaklık alarmı düşük aç/kapat > İç mekan sıcaklık alarmı yüksek > İç mekan sıcaklık alarmı yüksek aç/kapat.

Ölçü birimleri

- °C ile °F arasında geçiş yapmak için **SET (AYARLA)** düğmesine basın.
- **MODE (MOD)** düğmesine 3 kez basın. **SET (AYARLA)** düğmesini 3 saniye basılı tutun. Ayar moduna girmek için **SET (AYARLA)** düğmesine tekrar basın. Ayarlanması gereken basamaklar yanıp söner. inHg, hPa, ve mmHg arasında geçiş yapmak için **UP (YUKARI)** veya **DOWN (AŞAĞI)** basın.
- **MODE (MOD)** düğmesine 5 kez basın. **SET (AYARLA)** düğmesini 3 saniye basılı tutun. Ayarlanması gereken basamaklar yanıp söner. mm ve inç arasında geçiş yapmak için **UP (YUKARI)** veya **DOWN (AŞAĞI)** basın.
- **MODE (MOD)** düğmesine 6 kez basın. **SET (AYARLA)** düğmesini 3 saniye basılı tutun. Ayarlanması gereken basamaklar yanıp söner. km/h ve mph arasında geçiş yapmak için **UP (YUKARI)** veya **DOWN (AŞAĞI)** basın.

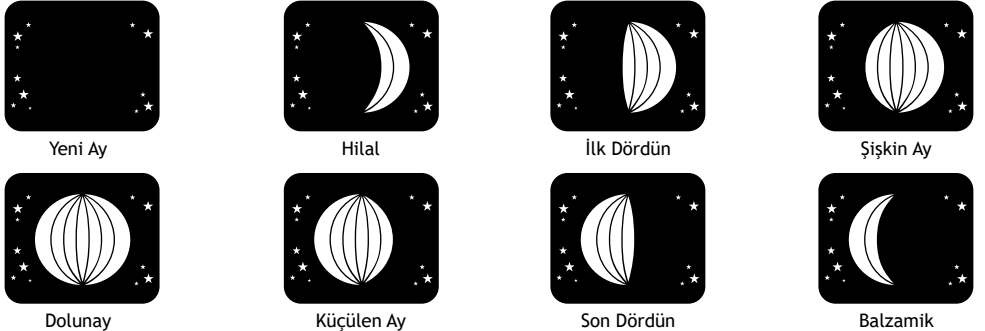
Hava tahmini



Geçmiş kaydı

- **MAKS./MIN.** rüzgar hızı, sıcaklık ve nemi görüntülemek için **UP (YUKARI)** düğmesine basın. Geçmiş kayıtları temizlemek için **UP (YUKARI)** düğmesini basılı tutun.
- Yağış geçmişini görüntülemek için **DOWN (AŞAĞI)** düğmesine basın. Görüntüleme sırası: bugün > önceki saat > dün > bu hafta. Geçmiş kayıtları temizlemek için **DOWN (AŞAĞI)** düğmesini basılı tutun.

Ay evresi



Ay evresi görüntüsü tarih, yıl ve saat ile bağlantılıdır. Yıldızlar ös 6 ile öö 6 arasında gösteril.

Teknik Özellikler

Gösterim konsolu	
Havadaki nem, ölçü birimleri	% (RH)
Çalışma nemi aralığı	%1... 99
Sıcaklık, ölçüm birimleri	°F, °C
Çalışma sıcaklığı aralığı (iç mekan)	-10... +50 °C, YÜK/DÜŞK Aralık dışı olduğunda
Hava basıncı, ölçü birimleri	inHg, hPa, mmHg
Çalışma hava basıncı aralığı	800... 1100 hPa
Ekran	renk, LED arka ışıklı
Güç kaynağı	AC/DC adaptörü 5 V 300 mA (dahil), 3 AAA pil (dahil değildir)
Ebat	191,6x127x16 mm

Dış mekan üniteleri	
Radio sinyali frekansı	433,92 MHz
Radio sinyali yarıçapı	100 m
Çalışma sıcaklığı aralığı (dış mekan)	-40... +70 °C, YÜK/DÜŞK Aralık dışı olduğunda
Rüzgar yönü	360°; 16 yön
Rüzgar hızı, ölçü birimleri	mph, km/h
Rüzgar hızı aralığı	0... 159 km/h
Yağış, ölçü birimleri	mm, inç
Çalışma yağış aralığı	0... 5994,4 mm
Güç kaynağı (rüzgar sensörü)	4 AA pil (dahil değildir)
Güç kaynağı (yağmur göstergesi)	2 AA pil (dahil değildir)
Boyutlar (rüzgar sensörü)	152x279x393 mm
Boyutlar (yağmur göstergesi)	166x105,5x118 mm

Üretici, ürün serisinde ve teknik özelliklerinde önceden bildirimde bulunmaksızın değişiklik yapma hakkını saklı tutar.

Bakım ve onarım

- Bu cihazı, bu talimatları okuyamayacak veya tamamen anlayamayacak çocuklar ve diğer kişiler ile birlikte kullanacağınız zaman gerekli önlemleri alın.
- Cihazı herhangi bir sebep için kendi başınıza sökmeye çalışmayın. Her tür onarım ve temizlik için lütfen yerel uzman servis merkeziniz ile iletişime geçin.
- Cihazı ani darbeler ve aşırı mekanik güçlere karşı koruyun.
- Cihazı tehlikeli asitler ve diğer kimyasallardan, ısıtıcılardan, açık ateşten ve diğer yüksek sıcaklık kaynaklarından uzakta kuru, serin bir yerde saklayın.
- Cihazı yalnızca tamamen kuru bir ortamda çalıştırın ve ıslak veya nemli ellerinizle tutmayın.
- Bu cihaz için yalnızca teknik özelliklere uygun aksesuarlar ve yedek parçalar kullanın.
- Cihazı, kablolarını ve bağlantılarını kullanım öncesinde olası hasarlar yönünden kontrol edin.
- Hasarlı bir cihazı veya elektrikli parçaları hasar görmüş bir cihazı asla çalıştırmayı denemeyin! Hasarlı parçalar derhal bir yetkili servis temsilcisi tarafından değiştirilmelidir.
- Cihaz veya pilin bir parçası yutulduğu takdirde, hemen tıbbi yardım alınmalıdır.
- **Çocuklar cihazı yalnızca yetişkin gözetiminde kullanabilir.**

Pil güvenliđi talimatları

Her zaman kullanım amacına en uygun olan boyut ve türden piller satın alın. Eski ve yeni piller ile farklı türlerden pilleri birbiriyile birlikte kullanmamaya özen göstererek pil setini her zaman tamamen deđiştirin. Pilleri takmadan önce pil kontakları ile cihaz kontaklarını temizleyin. Pillerin kutuplar (+ ve -) açısından dođru bir biçimde takıldığından emin olun. Uzun süreyle kullanılmayacak ekipmanlardaki pilleri çıkarın. Kullanılmış pilleri derhal çıkarın. Aşırı ısınmaya, sızıntıya veya patlamaya neden olabileceğinden kesinlikle pillerde kısa devreye neden olmayın. Yeniden canlandırmak için kesinlikle pilleri ısıtmayın. Pilleri sökmeyin. Cihazı kullanım sonrasında kapatın. Yutma, bođulma veya zehirlenme riskini önlemek için pilleri çocukların erişemeyeceđi bir yerde saklayın. Kullanılmış pilleri ülkenizin yasalarında belirtildiđi şekilde deđerlendirin.

Levenhuk Garantisi

Levenhuk optik ürünleri, malzeme ve işçilik kaynaklı kusurlara karşı **2 yıl garantilidir**. Tüm Levenhuk aksesuarları, perakende satış yoluyla alınmasından sonra **2 yıl** boyunca malzeme ve işçilik kaynaklı kusurlara karşı garantilidir. Bu garanti sayesinde, tüm garanti koşulları sağlandıđı takdirde, Levenhuk ofisi bulunan herhangi bir ülkede Levenhuk ürününüz için ücretsiz olarak onarım veya deđerşim yapabilirsiniz.

Ayrıntılı bilgi için web sitemizi ziyaret edebilirsiniz: www.levenhuk.eu/warranty

Garanti sorunları ortaya çıkarsa veya ürününüzü kullanırken yardıma ihtiyacınız olursa, yerel Levenhuk şubesi ile iletişime geçin.



© 2022 Discovery or its subsidiaries and affiliates. Discovery and related logos are trademarks of Discovery or its subsidiaries and affiliates, used under license. All rights reserved. [Discovery.com](https://www.discovery.com)



Levenhuk Inc. (USA): 928 E 124th Ave. Ste D, Tampa, FL 33612, USA, +1-813-468-3001, contact_us@levenhuk.com.
Levenhuk Optics s.r.o. (Europe): V Chotejně 700/7, 102 00 Prague 102, Czech Republic, +420 737-004-919, sales-info@levenhuk.cz.
Levenhuk® is a registered trademark of Levenhuk, Inc. © 2006–2022 Levenhuk, Inc. All rights reserved. www.levenhuk.com