

Discovery Scope Set 3

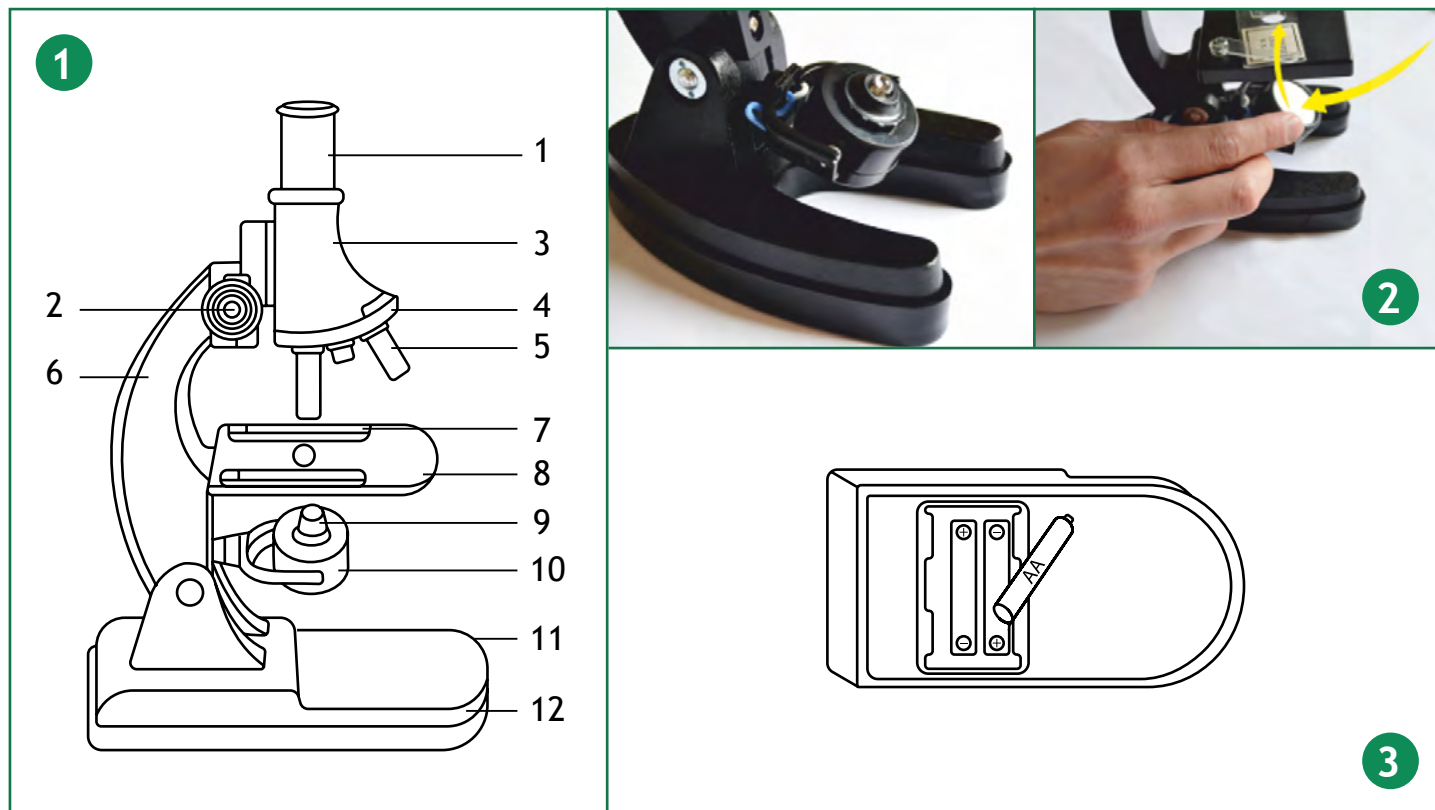
Telescope, Microscope, Binoculars

- Ⓔ User Manual
- Ⓕ Ръководство за потребителя
- Ⓒ Návod k použití
- Ⓓ Bedienungsanleitung
- Ⓔ Guía del usuario
- Ⓗ Használati útmutató
- Ⓘ Guida all'utilizzo
- Ⓟ Instrukcja obsługi
- Ⓟ Manual do usuário
- Ⓡ Инструкция по эксплуатации
- Ⓡ Kullanım kılavuzu

Discovery



Discovery Scope Set 3 Microscope



EN

1. Eyepiece tube
2. Focusing knob
3. Microscope optical tube (monocular head)
4. Revolving nosepiece
5. Objective
6. Stand
7. Slide holder
8. Stage
9. Illumination
10. Mirror
11. Battery compartment
12. Base

BG

1. Тръба на окуляра
2. Бутон за фокусиране
3. Оптична тръба на микроскопа (монокулярна глава)
4. Револверна глава
5. Обектив
6. Стойка
7. Държач за образец
8. Предметна маса
9. Осветление
10. Огледало
11. Отделение за батериите
12. Основа

CZ

1. Tubus okuláru
2. Zaostřovací šroub
3. Optický tubus (monokulární hlava)
4. Revolverový nosič objektivů
5. Objektiv
6. Rameno
7. Držák preparátů
8. Pracovní stůlek
9. Osvětlení
10. Zrcátko
11. Prostor pro baterie
12. Stativ

DE

1. Okularrohr
2. Fokussierad
3. Optischer Mikroskoptubus (Monokularkopf)
4. Objektivrevolver
5. Objektiv
6. Stativgriff
7. Probenhalter
8. Objektstisch
9. Beleuchtungslampe
10. Spiegel
11. Batteriefach
12. Sockel

ES

1. Tubo ocular
2. Tornillo de enfoque
3. Tubo óptico del microscopio (cabezal monocular)
4. Revólver giratorio
5. Objetivo
6. Soporte
7. Pinza para portaobjetos
8. Platina
9. Iluminación
10. Espejo
11. Compartimento de las pilas
12. Base

HU

1. Szemlencsecső
2. Fókuszállító gomb
3. Mikroszkóp optikai tubusa (monokuláris fej)
4. Revolverfej
5. Objektív
6. Állvány
7. Tárgylemez-tartó
8. Tárgyasztal
9. Világítás
10. Tükör
11. Elemtartó rekesz
12. Talpazat

IT

1. Tubo ottico
2. Manopola di regolazione della messa a fuoco
3. Tubo ottico del microscopio (testata monocolare)
4. Revolver porta obiettivi
5. Obiettivo
6. Stativo
7. Molletta ferma vetrini
8. Tavolino
9. Illuminazione
10. Specchio
11. Sc comparto delle batterie
12. Base

PL

1. Tubus okularu
2. Pokrętło ustawiania ostrości
3. Tuba optyczna (Głowica monokularowa)
4. Głowica obrotowa
5. Obiektyw
6. Statyw
7. Uchwyt na preparaty
8. Stolik
9. Oświetlenie
10. Lusterko
11. Komora baterii
12. Podstawa

PT

1. Tubo da ocular
2. Botão de focagem
3. Tubo ótico do microscópio (cabeça monocular)
4. Revólver giratório
5. Objetiva
6. Suporte
7. Suporte de lâminas
8. Platina
9. Iluminação
10. Espelho
11. Compartimento da bateria
12. Base

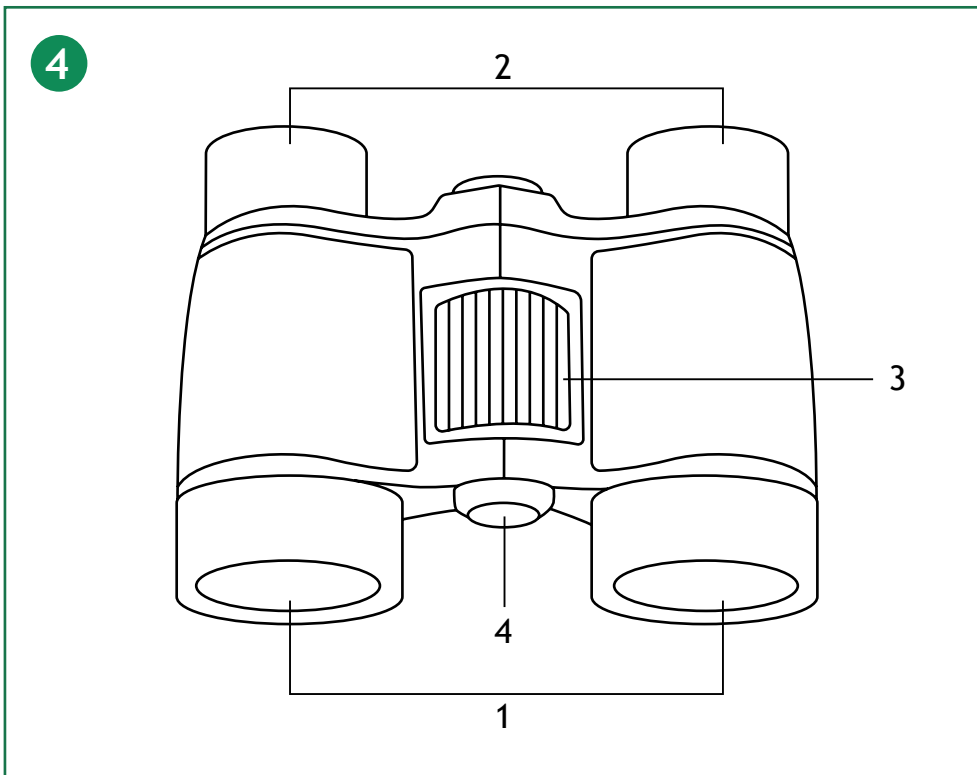
RU

1. Окулярная трубка
2. Ручка фокусировки
3. Тубус микроскопа
4. Револьверное устройство
5. Объектив
6. Штатив
7. Зажим
8. Предметный столик
9. Лампа подсветки
10. Зеркало
11. Батарейный отсек
12. Основание

TR

1. Göz merceği tüpü
2. Odaklama düğmesi
3. Mikroskop optik tüpü (monoküler başlık)
4. Döner burun parçası
5. Objektif
6. Sehpa
7. Slayt tutucu
8. Lamel yuvası
9. Aydınlatma
10. Ayna
11. Pil bölmesi
12. Taban

Discovery Scope Set 3 Binoculars



EN

1. Objectives
2. Eyepieces and eyecups
3. Central focusing wheel
4. Binocular axis

BG

1. Лещи на обектива
2. Окулярни и чашки на окуляри
3. Пръстен за фокусиране
4. Ос на бинокъла

CZ

1. Objektivy
2. Okuláry a očnice
3. Středový zaostřovací šroub
4. Osa binokuláru

DE

1. Objektiv
2. Okulare und Augenmuscheln
3. Zentrales Fokussierad
4. Fernglasachse

ES

1. Objetivos
2. Oculares y ojeras
3. Rueda de enfoque central
4. Eje de los prismáticos

HU

1. Objektívlencse
2. Szemlencsék és szemkagylók
3. Központi fókusz-állító kerék
4. Binokuláris tengely

IT

1. Lente obiettivo
2. Oculari e conchiglie oculari
3. Ghiera di messa a fuoco centrale
4. Asse del binocolo

PL

1. Obiektywy
2. Okular i muszle oczne
3. Centralne pokrętło regulacji ostrości
4. Oś lornetki

PT

1. Lentes objetivas
2. Oculares e protetores oculares
3. Roda de foco central
4. Eixo dos binóculos

RU

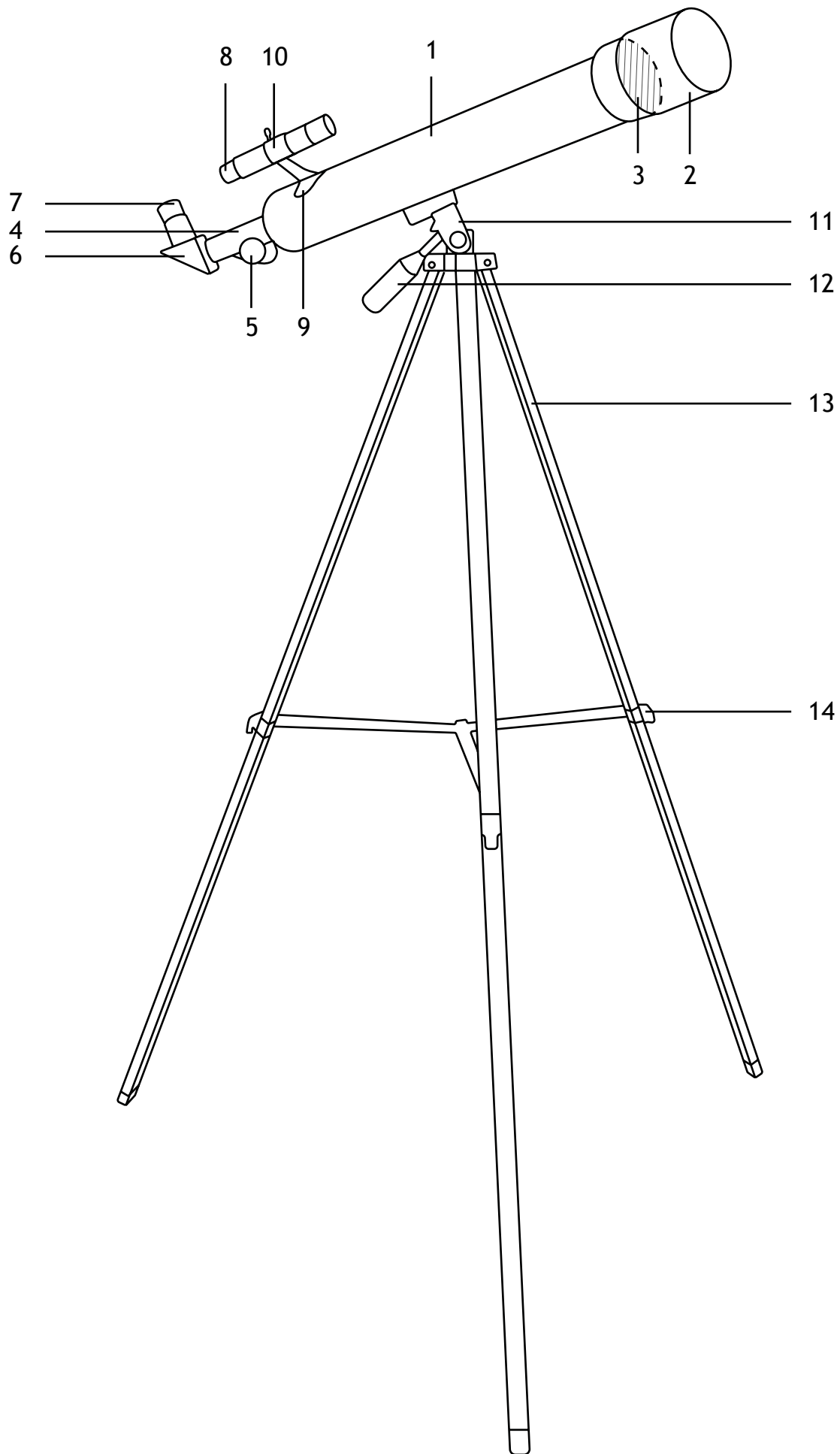
1. Объективы
2. Окулярны и наглазники
3. Колесо центральной фокусировки
4. Бинокулярная ось

TR

1. Objektifler
2. Göz mercekleri ve göz körükleri
3. Merkezi odaklama tekeri
4. Dürbün eksen

Discovery Scope Set 3 Telescope

5



EN

1. Telescop tube
2. Dew cap
3. Objective lens
4. Focuser
5. Focusing knob
6. Diagonal mirror
7. Eyepiece
8. Finderscope
9. Finderscope bracket
10. Finderscope adjustments screw
11. Mount
12. Slow-motion control
13. Tripod leg
14. Tripod leg knob

BG

1. Тръба на телескопа
2. Защитна капачка срещу роса
3. Леща на обектива
4. Фокусиращо устройство
5. Бутон за фокусиране
6. Диагонално огледало
7. Окуляр
8. Визьор
9. Скоба на визьора
10. Винтове за регулиране на визьора
11. Монтировка
12. Управление за бавно движение
13. Крак на триножника
14. Бутон за фиксиране на триножника

CZ

1. Tubus teleskopu
2. Rosnice
3. Čočka objektivu
4. Okulárový výtah
5. Zaostřovací šroub
6. Diagonální zrcátko
7. Okulár
8. Pointační dalekohled
9. Konzola pointačního dalekohledu
10. Šrouby seřizení hledáčku
11. Montáž
12. Jemné nastavení
13. Noha stativu
14. Aretační šroub stativu

DE

1. Teleskoptubus
2. Taukappe
3. Objektivlinse
4. Fokussierer
5. Fokussierrad
6. Diagonalspiegel
7. Okular
8. Sucherrohr
9. Sucherrohr-Halterung
10. Sucherteleskop-Einstellschrauben
11. Montierung
12. Feinabstimmung
13. Stativbein
14. Stativ-Arretierung

ES

1. Tubo del telescopio
2. Protector de rocío
3. Lente del objetivo
4. Enfocador
5. Mando de enfoque
6. Espejo diagonal
7. Ocular
8. Buscador
9. Horquilla del buscador
10. Tornillos de ajuste del buscador
11. Montura
12. Control de movimiento lento
13. Pata del trípode
14. Bloqueo de ajuste de la altura

HU

1. Teleszkóp tubus
2. Párafogó csésze
3. Tárgylencse
4. Fókuszállító
5. Fókuszállító gomb
6. Diagonális tükör
7. Szemlencse
8. Keresőtávcső
9. Keresőtávcső talpazata
10. A keresőtávcső állítására szolgáló csavarok
11. Állvány
12. Lassú mozgató vezérlő
13. Háromlábú állvány lába
14. A háromlábú állvány szorítógombja

IT

1. Tubo del telescopio
2. Cappuccio anticondensa
3. Lente obiettivo
4. Dispositivo di messa a fuoco
5. Manopola messa a fuoco
6. Specchio diagonale
7. Oculare
8. Mirino
9. Supporto del cercatore
10. Vite di regolazione del cercatore
11. Montatura
12. Regolazione fine
13. Gamba del treppiede
14. Manopola di blocco del treppiede

PL

1. Tubus teleskopu
2. Odrośnik
3. Soczewka obiektywowa
4. Tubus ogniskujący
5. Pokrętło ustawiania ostrości
6. Lustro ukośne
7. Okular
8. Celownica
9. Wspornik celownicy
10. Śruby do regulacji lunety nastawczej
11. Montaż
12. Pokrętło mikroruchów
13. Noga statywu
14. Pokrętło blokujące statywu

PT

1. Tubo do telescópio
2. Tampa anti-humidade
3. Lente da objetiva
4. Focalizador
5. Botão de focagem
6. Espelho diagonal
7. Ocular
8. Buscador
9. Suporte do buscador
10. Parafusos de ajuste do buscador
11. Montagem
12. Controlo de movimento lento
13. Perna do tripé
14. Botão de bloqueio do tripé

RU

1. Труба телескопа
2. Бленда
3. Объектив
4. Фокусер
5. Ручка фокусировки
6. Диагональное зеркало
7. Окуляр
8. Искатель
9. Крепление искателя
10. Юстировочные винты искателя
11. Монтировка
12. Ручка регулировки
13. Ножка треноги
14. Фиксатор высоты ножек треноги

TR

1. Teleskop tüpü
2. Çiy kapağı
3. Objektif merceği
4. Odaklayıcı
5. Odaklama düğmesi
6. Diagonal ayna
7. Göz merceği
8. Bulucu dürbün
9. Bulucu dürbün braketi
10. Bulucu dürbün ayar vidası
11. Kundak
12. Yavaş hareket kumandası
13. Tripod ayağı
14. Tripod ayağı düğmesi

General use

Read the instructions carefully before you start using the devices. Discovery Scope Set 3 is safe for health, life, property of the consumer and the environment when properly used, and meets the requirements of international standards. The Discovery Scope Set 3 Microscope is designed for observing transparent objects in the transmitted light using the bright field method. The Discovery Scope Set 3 Telescope is an easy to use entry-level telescope perfect for kids and beginners in astronomy. The Discovery Scope Set 3 Binoculars are perfectly suited for observations both in the city and in the countryside.

Care and maintenance

- **Never, under any circumstances, look directly at the Sun through this device without a special filter, or look at another bright source of light or at a laser, as it may cause PERMANENT RETINAL DAMAGE and may lead to BLINDNESS.**
- Stop using the device if the lens fogs up. Do not wipe the lens! Remove moisture with a hair dryer or point the telescope downward until the moisture naturally evaporates.
- Do not touch the optical surfaces with your fingers. Clean the lens surface with compressed air or a soft lens cleaning wipe. To clean the device exterior, use only the special cleaning wipes and special tools that are recommended for cleaning the optics.
- Replace the dust cap over the front end of the telescope whenever it is not in use. Always put eyepieces in protective cases and cover them with caps. This prevents dust or dirt from settling on the mirror or lens surfaces.
- Lubricate the mechanical components with metal and plastic connecting parts. Components to be lubricated:
 - Optical tube;
 - Fine mechanics (focuser rail, telescope optical tube microfocuser);
 - Mounting;
 - Worm-and-worm pairs, bearings, cogs, threaded mounting gears.

Use all-purpose silicon-based greases with an operating temperature range of $-60 \dots +180^{\circ}\text{C}$ ($-76 \dots +356^{\circ}\text{F}$).

- After unpacking your microscope and before using it for the first time check for integrity and durability of every component and connection.
- Protect the device from sudden impact and excessive mechanical force. Do not apply excessive pressure when adjusting focus. Do not overtighten the locking screws.
- Abrasive particles, such as sand, should not be wiped off lenses, but instead blown off or brushed away with a soft brush.
- Do not use the device for lengthy periods of time, or leave it unattended in direct sunlight. Keep the device away from water and high humidity.
- Be careful during your observations, always replace the dust cover after you are finished with observations to protect the device from dust and stains.
- If you are not using your microscope for extended periods of time, store the objective lenses and eyepieces separately from the microscope.
- Do not try to disassemble the device on your own for any reason. For repairs and cleaning of any kind, please contact your local specialized service center.
- Store the device in a dry, cool place away from hazardous acids and other chemicals, away from heaters, open fire, and other sources of high temperatures.
- If a part of the device or battery is swallowed, seek medical attention immediately.
- **Children should use the device under adult supervision only.**

CAUTION! CHOKING HAZARD! These devices include small parts. The microscope, telescope and binoculars are designed for children over 5 years of age and should only be used under adult supervision.

Microscope

Using the microscope

Getting started

- Unpack the microscope and make sure all parts are available.
- Make sure the batteries are correctly installed in the battery compartment; insert new batteries if required.
- Put the microscope on a level surface and switch on the light. You can use the microscope without the light, using a mirror. Put it next to the source of the bright light (a window or a desk lamp). Turn the mirror to the source of light – a bright spot of light shall be seen in the eyepiece.

Focusing

- Place a specimen on the stage and fix it with the holders.
- Start your observations with the lowest magnification objective and select a specimen segment for detailed research. Then move the specimen to center the selected segment in the field of view, to make sure it keeps centered when the objective is changed to a more powerful one. Once the segment is selected, you should center its image in the microscope's field of view as precisely as possible. Otherwise, the desired segment might fail to center in the field of view of the higher power objective. Now you can switch to a more powerful objective by rotating the revolving nosepiece. Adjust the image focus if required.
- Move the specimen to place its thickest part exactly under the objective.
- Adjust sharpness, rotating the focusing knob, until you see a sharp image. **Caution!** The objective should not touch the specimen, otherwise the objective or/and the specimen might be damaged.

The microscope kit includes: microscope, 10x eyepiece, spare bulb, empty flask (3pcs), slides and cover slips (3pcs each), slide stickers (3pcs), plastic tools (scalpel, pipette, spatula, forceps, dissecting needle).

CAUTION! Never direct the mirror towards the Sun, as it may ruin your eyesight and even cause blindness.

Telescope

CAUTION! Never look directly at the Sun – even for an instant – through your telescope or finderscope without a professionally made solar filter that completely covers the front of the instrument, or permanent eye damage may result. To avoid damage to the internal parts of your telescope, make sure the front end of the finderscope is covered with aluminum foil or another non-transparent material. Children should use the telescope under adult supervision only.

All parts of the telescope will arrive in one box. Be careful when unpacking it. We recommend keeping the original shipping containers. In the event that the telescope needs to be shipped to another location, having the proper shipping containers will help ensure that your telescope survives the journey intact. Be sure to check the box carefully, as some parts are small. All screws should be tightened securely to eliminate flexing and wobbling, but be careful not to overtighten them, as that may strip the threads.

During assembly (and anytime, for that matter), do not touch the surfaces of the optical elements with your fingers. The optical surfaces have delicate coatings on them that can easily be damaged if touched. Never remove lenses or mirrors from their housing, or the product warranty will be null and void.

Mount assembly

- On the lower part of the tube, there is a mounting plate with a threaded hole. Align it with the fastening screw of the tripod.
- Screw the tripod fastening screw into the hole on the tube mounting plate in order to secure the telescope tube.
- Do not overtighten the screw because you might accidentally damage the screw thread.

Optical finderscope assembly and alignment

Unthread two screws in the back of the telescope tube. Place the finderscope base above the holes on the tube. Lock the finderscope base into position by tightening the screws.

Optical finderscopes are very useful accessories. When they are correctly aligned with the telescope, objects can be quickly located and brought to the center of the view. Turn the scope end in and out to adjust focus.

To align the finderscope, choose a distant object that is at least 550 yards (500 meters) away and point the telescope at the object. Adjust the telescope so that the object is in the center of the view in your eyepiece. Check the finderscope to see if the object is also centered on the crosshairs. Use three adjustment screws to center the finderscope crosshairs on the object.

Optical accessories assembly

Loosen the focuser thumbscrew. Insert the diagonal mirror into the focuser tube and retighten the thumbscrew to hold the diagonal mirror in place. Then, insert the desired eyepiece into the diagonal mirror and secure it by retightening the thumbscrew.

Focusing

Slowly rotate the focus knobs one way or the other until the image in the eyepiece is sharp. The image usually has to be finely refocused over time due to small variations caused by temperature changes, flexures, etc.

Operating the mount

The AZ mount is an alt-azimuth mount that allows you to rotate the telescope about the vertical and horizontal axes and change its altitude and azimuth. Due to Earth's movement, the objects will be constantly shifting out of your view, so you will have to adjust the altitude and azimuth of your telescope to continue your observations.

The telescope kit includes: telescope, 5mm and 10mm eyepieces, 2x optical finderscope, diagonal mirror, 650–1150mm aluminum tripod.

Binoculars

Interpupillary distance adjustment

Look through the binoculars' eyepieces with both eyes. To adjust the interpupillary distance, keep varying the angle between the binoculars' parts (relative to its central axis) until the image merges into a single circle. Remember the setting for future use.

Focusing

- Look through your binoculars at a distant object;
- Close your right eye and rotate the central focusing wheel until the view is focused.

The binoculars kit includes: binoculars, pouch, cleaning wipe, strap.

Specifications

Microscope

Optics material	optical polymer glass
Head	monocular
Eyepieces	10x
Revolving nosepiece	3 objectives: 15x, 45x, 90x
Magnification, x	150–900
Illumination	LED, mirror
Power source	2 AA batteries

Telescope

Optical design	refractor
Optics material	optical glass
Magnification, x	100
Aperture, mm	50
Focal length, mm	600
Focal ratio	f/12
Eyepieces	10mm (60x), 5mm (120x)
Finderscope	optical, 2x
Tripod	aluminium, 650–1150mm
Mount	AZ

Binoculars

Magnification, x	4
Optics material	optical glass
Optics coating	fully coated
Objective lens diameter (aperture), mm	30
Eyecups	rubber
Central focusing	+

The manufacturer reserves the right to make changes to the product range and specifications without prior notice.

Battery safety instructions

- Always purchase the correct size and grade of battery most suitable for the intended use.
- Always replace the whole set of batteries at one time; taking care not to mix old and new ones, or batteries of different types.
- Clean the battery contacts and also those of the device prior to battery installation.
- Make sure the batteries are installed correctly with regard to polarity (+ and -).
- Remove batteries from equipment that is not to be used for an extended period of time.
- Remove used batteries promptly.
- Never short-circuit batteries as this may lead to high temperatures, leakage, or explosion.
- Never heat batteries in order to revive them.
- Do not disassemble batteries.
- Remember to switch off devices after use.
- Keep batteries out of the reach of children, to avoid risk of ingestion, suffocation, or poisoning.
- Utilize used batteries as prescribed by your country's laws.

Levenhuk Warranty

Levenhuk products, except for their accessories, carry a **2-year warranty** against defects in materials and workmanship. All Levenhuk accessories are warranted to be free of defects in materials and workmanship for **six months** from the purchase date. The warranty entitles you to the free repair or replacement of the Levenhuk product in any country where a Levenhuk office is located if all the warranty conditions are met.

For further details, please visit: www.levenhuk.com/warranty

If warranty problems arise or if you need assistance in using your product, please contact the local Levenhuk branch.

Обща употреба

Прочетете внимателно инструкциите, преди да използвате устройствата. Discovery Scope Set 3 е безопасен за здравето, живота и имуществото на потребителя, както и за околната среда, и отговаря на изискванията на международните стандарти. Микроскопът Discovery Scope Set 3 е предназначен за наблюдение на прозрачни обекти в предавана светлина с помощта на метода на светлото поле. Телескопът Discovery Scope Set 3 е лесен за използване телескоп на начално ниво, който е идеален за деца и начинаещи в астрономията. Бинокълът Discovery Scope Set 3 е напълно подходящ за наблюдения както в града, така и сред природата.

Грижи и поддръжка

- Никога, при никакви обстоятелства, не гледайте директно към Слънцето през това устройство без специален филтър и не гледайте в друг ярък източник на светлина или лазер, тъй като това може да причини **НЕВЪЗВРАТИМО УВРЕЖДАНЕ НА РЕТИНАТА** и може да доведе до **СЛЕПОТА**.
- Спрете да използвате устройството, ако лещата се замъглява. Не забърсвайте лещата! Отстранете влагата със сешоар или насочете телескопа надолу, докато влагата не се отстрани по естествен начин.
- Не пипайте оптичните повърхности с пръсти. Почистете повърхността на лещата със сгъстен въздух или мека кърпа за почистване на лещи. За почистване на устройството отвън използвайте само специални кърпички и специални инструменти, препоръчани за почистване на оптика.
- Поставете капачката против прах върху предния край на телескопа всеки път, когато не го използвате. Винаги поставяйте окулярите в защитните калфи и ги покривайте с капачките. Това предотвратява наслагването на прах и замърсявания върху повърхностите на огледалото и лещата.
- Лубрикирайте механичните компоненти с метални и пластмасови свързващи части. Компоненти, които трябва да се лубрикират:
 - Оптична тръба;
 - Фина механика (рейка на фокусиращото устройство, микрофокусиращо устройство на оптичната тръба на телескопа);
 - Монтировка;
 - Червячни предавки, лагери, зъбци, монтажни зъбни колела с резба.

Използвайте универсални гresi на силиконова основа с работен обхват на температурата от -60 до $+180$ °C.

- След като разопаковате Вашия микроскоп и преди да го използвате за първи път, проверете дали всички компоненти и връзки са здрави и с ненарушена цялост.
- Предпазвайте устройството от внезапни удари и прекомерна механична сила. Не прилагайте прекомерен натиск при настройване на фокусирането. Не пренатягайте заключващите винтове.
- Абразивните частици, като напр. пясък, не трябва да бъдат забърсвани от лещите, а трябва да бъдат издухвани или изчетквани с мека четка.
- Не използвайте устройството за продължителни периоди от време и не го оставяйте без надзор на директна слънчева светлина. Пазете устройството далече от вода и висока влажност.
- Бъдете внимателни по време на наблюдения, винаги поставяйте покривалото против прах обратно на мястото му, след като сте приключили с наблюдението, за да предпазите устройството от прах и поява на петна.
- Ако не използвате Вашия микроскоп за продължителни периоди от време, съхранявайте лещите на обектива и окулярите отделно от микроскопа.
- Не се опитвайте да разглобявате устройството сами по никаква причина. За ремонти и почистване, моля, обръщайте се към местния специализиран сервизен център.
- Съхранявайте устройството на сухо и хладно място, далеч от опасни киселини и други химикали, далеч от отоплителни уреди, открит огън и други източници на високи температури.
- Ако някоя част от устройството или батерията бъдат погълнати, незабавно потърсете медицинска помощ.
- Децата трябва да използват устройството само под надзора на възрастни.

ВНИМАНИЕ! ОПАСНОСТ ОТ ЗАДАВЯНЕ! Тези устройства съдържат малки части. Микроскопът, телескопът и бинокълът са предназначени за деца на възраст над 5 години и трябва да се използват само под надзора на възрастни.

Микроскоп

Използване на микроскопа

Подготовка

- Разопакувайте микроскопа и се уверете, че всички части са налице.
- Уверете се, че батериите са поставени правилно в отделението за батериите. Поставете нови батерии, ако това е необходимо.
- Поставете микроскопа на равна повърхност и включете светлината. Можете да използвате микроскопа без светлината с помощта на огледало. Поставете го близо до източник на ярка светлина (прозорец или настолна лампа). Обърнете огледалото към източника на светлина – ярка светлинна точка ще се вижда в окуляра.

Фокусиране

- Поставете образец на предметната маса и го фиксирайте с държачите.
- Започнете наблюденията си с обектива с най-ниското увеличение и изберете сегмент от образца за детайлно изследване. След това преместете образца, за да центрирате избрания сегмент в зрителното поле, за да сте сигурни, че той ще бъде центриран, когато обективът бъде променен на по-мощен. След като сегментът е избран, трябва да центрирате изображението му възможно най-точно в зрителното поле на микроскопа. В противен случай желаният сегмент може да не се фокусира в зрителното поле на обектива с по-висока мощност. Сега можете да превключите към по-мощен обектив чрез завъртане на револверната глава. Регулирайте фокуса на изображението, ако е необходимо.
- Преместете образца така, че да поставите най-дебелата му част точно под обектива.
- Регулирайте остротата, като въртите бутона за фокусиране, докато видите отчетливо изображение. **Внимание!** Обективът не трябва да се допира до образца, защото в противен случай обективът или/и образецът може да се повредят.

Комплектът на микроскопа включва: микроскоп, окуляр с увеличение 10x, резервна крушка, празен флакон (3 бр.), предметни стъкла и покривни стъкла (3 бр. от всяко), стикери за проби (3 бр.), пластмасови инструменти (скалпел, пипета, шпатула, пинсета, дисекционна игла).

ВНИМАНИЕ! Никога не насочвайте огледалото към Слънцето, тъй като това може да увреди зрението Ви и дори да причини слепота.

Телескоп

ВНИМАНИЕ! Никога не гледайте директно към Слънцето, дори за миг, през Вашия телескоп или визьор без професионално изработен соларен филтър, който покрива изцяло предната част на инструмента, понеже може да се получи невъзвратно увреждане на очите. За да избегнете повреда на вътрешните части на Вашия телескоп, се погрижете предният край на визьора да бъде покрит с алуминиево фолио или друг непрозрачен материал. Децата трябва да използват телескопа само под надзора на възрастни.

Всички части на телескопа се получават в една кутия. Внимавайте, когато го разопакувате. Запазете оригиналната транспортна опаковка; Вие ще се нуждаете от нея, ако трябва да изпратите телескопа до сервизния център. Проверете внимателно кутията, понеже някои от частите са малки. Всички винтове трябва да бъдат затегнати здраво, за да се избегнат огъване и разклащане, но внимавайте да не ги затегнете прекомерно, тъй като това може да доведе до скъсване на резбите. По време на сглобяването (и не само тогава) не докосвайте повърхностите на оптичните елементи с пръсти си. Оптичните повърхности са с чувствително покритие, което може да се повреди лесно при докосване. Никога не демонтирайте лещите от корпуса им, понеже това ще направи гаранцията на продукта невалидна.

Сглобяване на монтировката

- В долната част на тръбата има монтажна плоча с отвор с резба. Подравнете отвора със закрепващия винт на триножника.
- Завинтете закрепващия винт на триножника в отвора на монтажната плоча на тръбата, за да закрепите тръбата на телескопа.
- Не затягайте прекомерно винта, тъй като можете случайно да повредите резбата му.

Сглобяване и подравняване на оптичен визьор

Развийте двата винта на гърба на тръбата на телескопа. Поставете основата на визьора над отворите върху тръбата. Фиксирайте основата на визьора на място чрез затягане на винтовете.

Оптичните визьори са много полезни принадлежности. Когато те са правилно подравнени с телескопа, обектите могат да се намират бързо и да се разполагат в средата на полето на обзор. Въртете края на визьора навътре и навън, за да регулирате фокуса.

За да подравните визьора, изберете отдалечен обект, който е най-малко на 500 метра от Вас, и насочете телескопа към него. Регулирайте телескопа по такъв начин, че обектът да се намира в средата на полето на обзор на окуляра. Погледнете през визьора, за да видите дали обектът е центриран също и върху кръстосаната решетка. Използвайте трите регулиращи винта, за да центрирате кръстосаната решетка на визьора върху обекта.

Сглобяване на оптични принадлежности

Развийте винта с глава с накатка на фокусиращото устройство. Вкарайте диагоналното огледало в тръбата на фокусиращото устройство и затегнете отново винта с глава с накатка, за да задържите диагоналното огледало на място. След това поставете желанния окуляр в диагоналното огледало и го застопорете, като затегнете отново винта с глава с накатка.

Фокусиране

Въртете бавно бутона за фокусиране в едната или в другата посока, докато изображението в окуляра стане отчетливо. Обикновено фокусът на изображението трябва да се коригира във времето поради малките изменения, вследствие на промяната на температурата, огъване и т.н.

Управление на монтировката

Монтировката AZ е азимутална монтировка, която Ви позволява да въртите телескопа около вертикалната и хоризонталната ос и да промените неговата височина и азимут. Поради въртенето на Земята обектите ще се изместват постоянно извън Вашето зрително поле, така че ще трябва да регулирате височината и азимута на Вашия телескоп, за да продължите наблюденията си.

Комплектът на телескопа включва: телескоп, окуляри 5 mm и 10 mm, оптичен визьор с увеличение 2x, диагонално огледало, алуминиев триножник 650–1150 mm.

Бинокъл

Регулиране на разстоянието между окулярите

Погледнете през окулярите на бинокъла с двете очи. За да регулирате разстоянието между окулярите, продължете да променят ъгъла между частите на бинокъла (отнасящи се към централната му ос), докато изображението не се появи в единична окръжност. Запомнете настройката за бъдещо използване.

Регулиране на фокуса

- Погледнете през бинокъла към отдалечен обект;
- Затворете дясното си око и завъртете пръстена за фокусиране, докато не фокусирате изгледа.

Комплектът на бинокъла включва: бинокъл, калъф, кърпа за почистване, ремък.

Спецификации

Микроскоп

Материал на оптиката	оптично полимерно стъкло
Глава	монокулярна
Окуляри	10x
Револверна глава	3 обектива: 15x, 45x, 90x
Увеличение, x	150–900
Осветление	светодиод, огледало
Захранващ източник	2 бр. батерии AA

Телескоп

Оптична конструкция	рефракторен телескоп
Материал на оптиката	оптично стъкло
Най-голямо практическо увеличение, x	100
Апертура, mm	50
Фокусно разстояние, mm	600
Фокусно отношение	f/12

Окуляри	10 mm (60x), 5 mm (120x)
Визьор	2x, оптичен
Триножник	от алуминий, 650–1150 mm
Монтировка	AZ

Бинокъл

Увеличение, x	4
Материал на оптиката	оптично стъкло
Оптично покритие	цялостно покритие
Диаметър на лещата на обектива (апертура), mm	30
Чашки на окулярите	гумени
Централно фокусиране	+

Производителят си запазва правото да прави промени на гамата продукти и спецификациите им без предварително уведомление.

Инструкции за безопасност на батериите

- Винаги купувайте батерии с правилния размер и характеристики, които са най-подходящи за предвидената употреба.
- Винаги сменяйте всички батерии едновременно, като внимавате да не смесите стари и нови или батерии от различен тип.
- Почистете контактите на батериите, както и тези на устройството, преди да поставите батериите.
- Уверете се, че батериите са поставени правилно по отношение на полярността (+ и -).
- Извадете батериите от оборудването, ако то няма да бъде използвано продължителен период от време.
- Извадете използваните батерии незабавно.
- Никога не свързвайте батерии накъсо, тъй като това може да доведе до високи температури, теч или експлозия.
- Никога не загревайте батерии, опитвайки се да ги използвате допълнително време.
- Не разглобявайте батериите.
- Не забравяйте да изключите устройствата след употреба.
- Дръжте батериите далеч от достъпа на деца, за да избегнете риск от поглъщане, задушаване или отравяне.
- Изхвърляйте използваните батерии съгласно правилата в държавата Ви.

Гаранция на Levenhuk

Оптичните продукти Levenhuk имат **2-годишна гаранция** срещу дефекти в материалите и изработката. За всички принадлежности на Levenhuk се предоставя гаранция за липса на дефекти на материалите и изработката за период от **2 години** от датата на покупката на дребно.

Гаранцията Ви дава право на безплатен ремонт или замяна на продукта на Levenhuk във всяка държава, в която има офис на Levenhuk, ако са изпълнени всички условия за гаранцията.

За допълнителна информация посетете нашия уебсайт: www.levenhuk.bg/garantsiya

Ако възникнат проблеми с гаранцията или ако се нуждаете от помощ за използването на Вашия продукт, свържете се с местния представител на Levenhuk.

Obecné použití

Než začnete tato zařízení používat, pečlivě si přečtěte tyto pokyny. Při správném používání je sada Discovery Scope Set 3 bezpečná z hlediska ochrany zdraví, života i majetku spotřebitele, životního prostředí a splňuje požadavky mezinárodních norem. Mikroskop Discovery Scope Set 3 je určen k pozorování průhledných objektů v procházejícím světle pomocí metody jasného zorného pole. Hvězdářský dalekohled Discovery Scope Set 3 je snadno použitelný hvězdářský dalekohled základní úrovně, který je ideální pro děti a začátečníky v astronomii. Binokulární dalekohled Discovery Scope Set 3 je mimořádně vhodný pro pozorování ve městě i v přírodě.

Péče a údržba

- Nikdy, za žádných okolností, se tímto přístrojem bez speciálního filtru nedívejte přímo do slunce, jiného jasného světelného zdroje nebo laseru, neboť hrozí nebezpečí TRVALÉHO POŠKOZENÍ SÍTNICE a případně i OSLEPNUTÍ.
- Pokud se čočka zamlží, přestaňte přístroj používat. Čočku neotírejte! Vlhkost odstraňte pomocí vysoušeče vlasů nebo nasměrujte teleskop do pozice dolů a nechte vlhkost přirozeně odpařit.
- Nedotýkejte se svými prsty povrchů optických prvků. Povrch čočky očistěte stlačeným vzduchem nebo měkkým čistícím ubrouskem na čočky. K vyčištění vnějších částí přístroje použijte výhradně speciální čistící ubrousky a speciální nástroje k čištění optiky.
- Pokud teleskop nepoužíváte, zakryjte jeho čelní stranu prachovým víčkem. Okuláry vždy ukládejte do jejich ochranných obalů a zakryvejte je jejich krytkami. Tím zabráníte usazování prachu na povrchu zrcadla nebo čoče.
- U mechanických komponent s kovovými a plastovými spojovacími díly provádějte řádné mazání. Komponenty určené k mazání:
 - Optický tubus;
 - Jemná mechanika (kolejnice zaostřovače, mikrozaostřovač optického tubusu teleskopu);
 - Montáž;
 - Páry šnekových převodů, ložiska, kola, závitové převody montáže.Používejte univerzální maziva na bázi silikonu s provozní teplotou -60 až $+180$ °C.
- Po vybalení mikroskopu a před jeho prvním použitím zkontrolujte neporušenost jednotlivých komponent a spojů.
- Přístroj chraňte před prudkými nárazy a nadměrným mechanickým namáháním. Při zaostřování nevyvíjejte nadměrný tlak. Neutahujte šrouby konstrukce příliš silně.
- Abrazivní částice, například písek, by se neměly z čoček otírat, ale sfouknout nebo smést měkkým kartáčkem.
- Přístroj příliš dlouho nepoužívejte ani neponechávejte bez dozoru na přímém slunci. Chraňte přístroj před stykem s vodou.
- Při pozorování dbejte na opatrnost; po skončení pozorování vždy nasad'te ochranný kryt, abyste mikroskop ochránili před prachem a jiným znečištěním.
- Pokud svůj mikroskop nebudete delší dobu používat, uložte čočky objektivu a okuláru odděleně od samotného mikroskopu.
- Z žádného důvodu se nepokoušejte přístroj rozebrat. S opravami veškerého druhu se obraťte na své místní specializované servisní středisko.
- Přístroj ukládejte na suchém, chladném místě, mimo dosah nebezpečných kyselin nebo jiných chemikálií, topných těles, otevřeného ohně a jiných zdrojů vysokých teplot.
- Pokud dojde k požití části zařízení nebo baterie, okamžitě vyhledejte lékařskou pomoc.
- Děti by měly teleskop používat pouze pod dohledem dospělé osoby.

POZOR! NEBEZPEČÍ UDUŠENÍ! Přístroje obsahují malé součásti. Mikroskop, teleskop a binokulární dalekohled je určen pro děti ve věku nad 5 let a měly by se používat pouze pod dohledem dospělé osoby.

Mikroskop

Používání mikroskopu

Rozbalení a zapnutí

- Rozbalte mikroskop i ověřte, že nechybí žádná jeho část.

- Ujistěte se, zda jsou baterie v prostoru pro baterie vloženy ve správné polaritě. V případě potřeby baterie vyměňte.
- Umístěte mikroskop na rovný povrch a zapněte světlo. Mikroskop můžete používat bez světla s využitím zrcátka. Umístěte ho vedle zdroje jasného světla (okno nebo stolní lampa). Otočte zrcátko ke zdroji světla – v okuláru by měl být vidět jasný světelný bod.

Zaostřování

- Umístěte preparát na pracovní stůl a upevněte jej svorkami.
- Svá pozorování zahajte s objektivem o nejmenším zvětšení a vyberte si část preparátu určenou k detailnímu zkoumání. Pak nastavte preparát tak, aby byl vybraný segment ve středu zorného pole. Pak zůstane vycentrován i po výměně objektivu za silnější. Vybraný segment je potřeba vycentrovat v zorném poli mikroskopu co nejpresněji. Jinak se může stát, že po výměně za silnější objektiv se požadovaný segment nebude nacházet ve středu zorného pole. Pak můžete otočením revolverové hlavičky vyměnit objektiv za silnější. Je-li to potřeba, doostřete obraz.
- Posuňte preparát tak, aby se jeho nejsilnější část nacházela přesně pod objektivem.
- Nastavte ostrost otáčením zaostřovacího knoflíku, dokud nevidíte ostrý obraz. **Pozor!** Objektiv by se neměl dotýkat preparátu, jinak může dojít k jejich poškození.

Obsah soupravy: mikroskop, okulár 10x, náhradní žárovka, čistá nádoba (3), čistá sklička (3) a krycí sklička (3), samolepicí etikety na preparáty (3), skalpel, pipeta, stěrka, kleštičky, preparační jehla.

POZOR! Mikroskop nikdy neotáčejte směrem ke Slunci, mohli byste si poškodit zrak nebo dokonce oslepnout.

Hvězdářský dalekohled

VÝSTRAHA! Nikdy – ani na okamžik – se přes teleskop nebo pointační dalekohled (hledáček) nedívejte přímo do slunce, aniž byste použili odborně vyrobený solární filtr, který bude zcela překrývat objektiv přístroje. Nedodržení tohoto pokynu se vystavujete nebezpečí trvalého poškození zraku. Abyste zabránili poškození vnitřních součástí svého teleskopu, zakryjte čelní stranu pointačního dalekohledu (hledáčku) hliníkovou fólií nebo jiným neprůhledným materiálem. Děti by měly teleskop používat pouze pod dohledem dospělé osoby.

Všechny součásti teleskopu jsou dodávány v jediné krabici. Při jejím vybalování postupujte opatrně.

Doporučujeme vám uschovat si originální přepravní obaly. V případě, že bude potřeba teleskop přepravit do jiného místa, mohou správné přepravní obaly pomoci předejít poškození teleskopu při přepravě. Obsah důkladně zkontrolujte, neboť některé součásti jsou malé. Abyste vyloučili deformace a viklání, musejí být všechny šrouby pevně utaženy, ale dbejte na to, abyste je nepřetáhli, neboť může dojít ke stržení závitů.

Během montáže (ani nikdy jindy) se svými prsty nedotýkejte povrchu optických součástí. Povrchy optických prvků jsou potaženy speciální choulostivou vrstvou, kterou lze při doteku snadno poškodit. Čočky ani zrcadla nikdy nevyjímejte z jejich pouzdra; nedodržení tohoto pokynu má za následek neplatnost záruky.

Sestavení montáže

- Na spodní části tubusu se nachází upínací destička s otvorem se závitěm. Vyrovnajte ji s upevňovacím šroubem na stativu.
- Našroubujte šroub stativu do otvoru na upínací destičce tubusu tak, aby byl tubus teleskopu bezpečně zafixován.
- Šroub neutahujte příliš napevno, mohli byste nechtěně poškodit závit šroubu.

Montáž a seřízení pointačního dalekohledu

Vyvlékněte dva šrouby v zadní části tubusu teleskopu. Patiči pointačního dalekohledu umístěte nad otvory v tubusu. Utažením šroubů upevněte patiči pointačního dalekohledu do správné polohy.

Optické pointační dalekohledy jsou velmi užitečné příslušenství. Při správném seřízení vzhledem k teleskopu lze jimi rychle lokalizovat objekty na obloze a umístit je do středu zorného pole. Seřizování se provádí ve venkovním prostředí za denního světla, kdy se objekty snadněji lokalizují. Nejprve pointační dalekohled doostřete (je-li to potřeba).

Při seřizování pointačního dalekohledu si vyberte objekt ve vzdálenosti nejméně 500 m a namiřte na něj teleskop. Teleskop nastavte tak, aby byl objekt ve středu zorného pole vašeho okuláru. V pointačním dalekohledu zkontrolujte, zda je objekt vystředěn i na nitkovém kříži. K vycentrování nitkového kříže na objektu použijte tři stavěcí šrouby.

Sestava optického příslušenství

Uvolněte křídlatou matici okulárového výtahu. Do tubusu okulárového výtahu vložte diagonální zrcátko, křídlatou matici opět utáhněte, a upevněte tak diagonální zrcátko ve správné poloze. Následně do diagonálního zrcátka zasuněte požadovaný okulár a zajistěte jej utažením křídlaté matice.

Zaostření

Pomalou otáčejte knoflíkem ostření na jednu nebo druhou stranu, dokud není obraz v okuláru ostrý. V důsledku drobného kolísání způsobeného změnami teploty, průhybem atd. je obraz obvykle po nějaké době potřeba doostřit.

Práce s montáží

Montáž AZ je altazimutální montáž, která vám umožňuje otáčet teleskopem kolem vertikální a horizontální osy a měnit tak výšku nad obzorem a azimut. Vzhledem k pohybu Země v prostoru se budou objekty neustále přesouvat mimo zorné pole, proto budete muset během pozorování upravovat výšku a azimut svého teleskopu.

Obsah soupravy: teleskop, okuláry 5 mm a 10 mm, optický hledáček 2x, diagonální zrcátko, hliníkový stativ 650–1150 mm.

Binokulární dalekohled

Nastavení polohy tubusů

Podívejte se přes triedr oběma očima. Chcete-li upravit vzdálenost mezi tubusy, měňte úhel mezi částmi triedru (a středovou osou), dokud obraz nevidíte jako jediný kruh. Zapamatujte si nastavení pro budoucí použití.

Zaostřování

- Podívejte se přes triedr na vzdálený objekt;
- Zavřete pravé oko a otáčejte středovým zaostřovacím šroubem, dokud není obraz ostrý.

Obsah soupravy: binokulární dalekohled, pouzdro, čistící utěrka, závěsný řemen.

Specifikace

Mikroskop

Materiál optiky	optické polymerové sklo
Hlava okuláru	monokulární
Okuláry	10x
Otočná hlavice	3 objektivy: 15x, 45x, 90x
Zvětšení, x	150–900
Osvětlení	LED, zrcadlo
Napájení	2 baterie AA

Hvězdářský dalekohled

Optická konstrukce	refraktor
Materiál optiky	optické sklo
Nejvyšší praktické zvětšení, x	100
Apertura, mm	50
Ohnisková vzdálenost, mm	600
Světelnost	f/12
Okuláry	10 mm (60x), 5 mm (120x)
Pointační dalekohled	2x, optický
Stativ	hliník, 650–1150 mm
Montáž	azimutální (AZ)

Binokulární dalekohled

Zvětšení, x	4
Materiál optiky	optické sklo
Antireflexní vrstva	plně potažený
Průměr čočky objektivu (mm)	30

Očnice	pryž
Středové zaostřování	+

Společnost Levenhuk si vyhrazuje právo provádět bez předchozího upozornění úpravy jakéhokoliv výrobku, případně zastavit jeho výrobu.

Bezpečnostní pokyny týkající se baterií

- Vždy nakupujte baterie správné velikosti a typu, které jsou nejvhodnější pro zamýšlený účel.
- Při výměně vždy nahrazujte celou sadu baterií a dbejte na to, abyste nemíchali staré a nové baterie, případně baterie různých typů.
- Před instalací baterií vyčistěte kontakty na baterii i na přístroji.
- Ujistěte se, zda jsou baterie instalovány ve správné polaritě (+ resp. -).
- V případě, že zařízení nebudete delší dobu používat, vyjměte z něj baterie.
- Použité baterie včas vyměňujte.
- Baterie nikdy nezkratujte, mohlo by to vést ke zvýšení teploty, úniku obsahu baterie nebo k explozi.
- Baterie se nikdy nepokoušejte oživit zahříváním.
- Nepokoušejte se rozebírat baterie.
- Po použití nezapomeňte přístroj vypnout.
- Baterie uchovávejte mimo dosah dětí, abyste předešli riziku spolknutí, vdechnutí nebo otravy.
- S použitými bateriemi nakládejte v souladu s vašimi vnitrostátními předpisy.

Záruka Levenhuk

Na optické výrobky Levenhuk je poskytována **2 letá záruka** na vady materiálu a provedení.

Na veškeré příslušenství značky Levenhuk se poskytuje záruka, že po dobu **2 let** od data zakoupení v maloobchodní prodejně bude bez vad materiálu a provedení.

Tato záruka vám v případě splnění všech záručních podmínek dává nárok na bezplatnou opravu nebo výměnu výrobku značky Levenhuk v libovolné zemi, v níž se nachází pobočka společnosti Levenhuk.

Další informace – navštivte naše webové stránky: www.levenhuk.cz/zaruka

V případě problémů s uplatněním záruky, nebo pokud budete potřebovat pomoc při používání svého výrobku, obraťte se na místní pobočku společnosti Levenhuk.

Allgemeiner Gebrauch

Lesen Sie die Anleitung sorgfältig durch, bevor Sie die Geräte in Betrieb nehmen. Discovery Scope Set 3 ist bei sachgemäßer Verwendung ungefährlich für Gesundheit, Leben und Eigentum des Kunden und die Umwelt und entspricht den Anforderungen internationaler Normen. Das Mikroskop Discovery Scope Set 3 ist für die Beobachtung von transparenten Objekten im Durchlicht nach der Hellfeldmethode ausgelegt. Das Discovery Scope Set 3 Teleskop ist ein einfach zu bedienendes Einsteigerteleskop, das sich perfekt für Kinder und Anfänger der Astronomie eignet. Das Discovery Scope Set 3 Fernglas eignet sich perfekt für Beobachtungen in der Stadt und auf dem Land.

Pflege und Wartung

- **Richten Sie das Instrument ohne Spezialfilter unter keinen Umständen direkt auf die Sonne, andere helle Lichtquellen oder Laserquellen. Es besteht die Gefahr DAUERHAFTER NETZHAUTSCHÄDEN und ERBLINDUNGSGEFAHR.**
 - Verwenden Sie das Gerät nicht mehr, wenn die Linse beschlägt. Wischen Sie die Linse nicht ab! Entfernen Sie Feuchtigkeit mit einem Haartrockner oder richten Sie das Teleskop nach unten, bis die Feuchtigkeit auf natürliche Weise verdunstet.
 - Berühren Sie die optischen Flächen nicht mit den Fingern. Reinigen Sie die Linsenoberfläche mit Druckluft oder einem weichen Linsenreinigungstuch. Verwenden Sie zur äußerlichen Reinigung des Instruments ausschließlich die dazu empfohlenen speziellen Reinigungstücher und das spezielle Optik-Reinigungszubehör.
 - Decken Sie das vordere Ende des Teleskops stets mit der Staubschutzkappe ab, wenn es nicht verwendet wird. Legen Sie Okulare immer in ihre Schutzhüllen und decken Sie sie mit ihren Kappen ab. Sie verhindern dadurch, dass sich Staub auf dem Spiegel oder den Linsenflächen absetzen kann.
 - Schmieren Sie die mechanischen Komponenten mit Metall- und Kunststoffverbindungssteilen. Zu schmierende Komponenten:
 - Optischer Tubus;
 - Feinmechanik (Fokussierschiene, Mikrofokussierer des optischen Teleskoptubus);
 - Montage;
 - Schneckenpaare, Lager, Zahnräder, Montagezahnräder mit Gewinde.
- Verwenden Sie Allzweckfette auf Silikonbasis mit einem Betriebstemperaturbereich von -60 bis $+180$ °C
- Prüfen Sie nach dem Auspacken Ihres Mikroskops und vor der ersten Verwendung die einzelnen Komponenten und Verbindungen auf ihre Beständigkeit.
 - Schützen Sie das Instrument vor plötzlichen Stößen und anderen mechanischen Belastungen. Üben Sie beim Fokussieren keinen übermäßigen Druck aus. Wenden Sie keine übermäßige Kraft auf die Feststellschrauben und Fixierungsschrauben an.
 - Schleifkörper wie Sandkörner dürfen nicht abgewischt werden. Sie können sie wegblasen oder einen weichen Pinsel verwenden.
 - Das Instrument ist nicht für Dauerbetrieb ausgelegt. Lassen Sie das Instrument nicht in direktem Sonnenlicht zurück. Halten Sie das Instrument von Wasser und hoher Feuchtigkeit fern.
 - Lassen Sie Sorgfalt bei der Beobachtung walten und setzen Sie nach Abschluss der Beobachtung die Staubabdeckung wieder auf, um das Gerät vor Staub und Verschmutzungen zu schützen.
 - Bewahren Sie bei längeren Phasen der Nichtbenutzung die Objektivlinsen und Okulare getrennt vom Mikroskop auf.
 - Versuchen Sie nicht, das Instrument aus irgendwelchem Grund selbst zu zerlegen. Wenden Sie sich für Reparaturen oder zur Reinigung an ein spezialisiertes Servicecenter vor Ort.
 - Lagern Sie das Instrument an einem trockenen, kühlen Ort, der frei von gefährlichen Säuren und anderen Chemikalien ist, und in ausreichendem Abstand zu Heizgeräten, offenem Feuer und anderen Hochtemperaturquellen.
 - Wenn ein Teil des Geräts oder des Akkus verschluckt wird, suchen Sie sofort einen Arzt auf.
 - **Kinder dürfen das Teleskop nur unter Aufsicht Erwachsener verwenden.**

VORSICHT! ERSTICKUNGSGEFAHR! Die Instrumente enthalten verschluckbare Kleinteile. Das Mikroskop, das Teleskop und das Fernglas sind für Kinder ab 5 Jahren gemacht und dürfen nur unter der Aufsicht Erwachsener benutzt werden.

Mikroskop

Arbeiten mit dem Mikroskop

Vorbereitung

- Packen Sie das Mikroskop aus und überprüfen Sie, ob der Inhalt der Verpackung komplett ist.
- Überprüfen Sie, ob die Batterien im Batteriefach richtig eingelegt sind. Ggf. neue Batterien einsetzen.
- Stellen Sie das Mikroskop auf eine ebene Fläche und schalten Sie das Licht ein. Sie können das Mikroskop auch ohne Licht verwenden, indem Sie einen Spiegel benutzen. Stellen Sie es neben eine helle Lichtquelle (ein Fenster oder eine Schreibtischlampe). Drehen Sie den Spiegel zur Lichtquelle – ein heller Lichtfleck soll im Okular zu sehen sein.

Fokussierung auf das Objekt

- Legen Sie das Präparat auf den Objektstisch und befestigen Sie es mit Präparatklemmen.
- Beginnen Sie die Observation mit dem Objektiv mit der niedrigsten Vergrößerung und wählen Sie einen Bereich der Probe zum genaueren Studium aus. Zentrieren Sie dann durch Bewegen des Objektträgers den ausgewählten Bereich in der Mitte des Sichtfelds, damit er auch beim Durchwechseln zu stärkeren Objekten zentriert bleibt. Zentrieren Sie das gewählte Segment so präzise wie möglich im Sichtfeld des Mikroskops. Andernfalls könnte der gewählte Bereich bei einem stärkeren Objektiv nicht mehr im Sichtfeld liegen. Danach können Sie durch Drehen am Objektivrevolver zu einem stärkeren Objektiv wechseln. Stellen Sie das Bild ggf. wieder scharf.
- Bewegen Sie von Hand den Objektabschnitt mit der größten Dichte unter das Objektiv.
- Stellen Sie die Schärfe durch Drehen des Fokussierknopfs ein, bis Sie ein scharfes Bild sehen. **Vorsicht!** Das Objekt darf die Probe nicht berühren, um Beschädigungen an Objekt und/oder Probe zu vermeiden.

Lieferumfang: Mikroskop, Okular 10x, Ersatzlampe, 3 Kolben, 3 Leere Objektträger und 3 Deckgläser, 3 Foliensticker, Skalpell, Pipette, Spatel, Forzeps, Präpariernadel.

VORSICHT! Richten Sie den Spiegel nie direkt auf die Sonne. Das ist sehr gefährlich – Sie können Ihre Augen damit schädigen. Erblindungsgefahr!

Teleskop

VORSICHT! Schauen Sie mit dem Teleskop oder Sucherrohr nie – auch nicht kurzzeitig – ohne einen professionell hergestellten Sonnenfilter, der die Vorderseite des Instruments vollständig abdeckt, direkt in die Sonne. Erblindungsgefahr! Achten Sie darauf, dass das vordere Ende des Sucherrohrs mit Aluminiumfolie oder einem anderen nichttransparenten Material abgedeckt ist, um Beschädigungen an den internen Komponenten des Teleskops zu vermeiden. Kinder dürfen das Teleskop nur unter Aufsicht Erwachsener verwenden.

Alle Teile des Teleskops werden in einer Schachtel ausgeliefert. Packen Sie sie vorsichtig aus! Bewahren Sie die Original-Versandverpackung auf. Sollte später ein Transport des Teleskops an einen anderen Standort notwendig werden, trägt die Versandverpackung dazu bei, dass das Teleskop wohlbehalten ankommt. Sehen Sie sorgfältig in der Schachtel nach, da einige Teile klein sind. Ziehen Sie alle Schrauben fest an, um Durchbiegen und Taumelbewegungen zu vermeiden. Achten Sie jedoch auch darauf, das Gewinde nicht durch zu festes Anziehen zu überdrehen.

Berühren Sie bei der Montage (und auch sonst) die Flächen der optischen Elemente nicht mit den Fingern. Die empfindliche Vergütung der optischen Flächen kann bei Berührung leicht Schaden nehmen. Entfernen Sie niemals die Linsen oder Spiegel aus ihrem Gehäuse – dies führt zu Garantieverlust.

Montierung aufbauen

- Am unteren Teil des Tubus befindet sich eine Montageplatte mit einer Gewindebohrung. Richten Sie diese auf die Stativbefestigungsschraube aus.
- Schrauben Sie die Stativbefestigungsschraube in die Bohrung der Tubus-Montageplatte, um den Teleskop-Tubus zu sichern.
- Ziehen Sie die Schraube nicht zu sehr fest – Sie könnten dabei das Schraubengewinde beschädigen.

Montage und Ausrichtung des Suchers (Optisches Sucherrohr)

Schrauben Sie die beiden Schrauben am hinteren Teil des Teleskoptubus heraus. Setzen Sie die Sucherrohr-Halterung auf die Löcher am Tubus. Verschrauben Sie die Sucherrohr-Halterung mit dem Tubus.

Optische Sucherrohre sind sehr nützliches Zubehör. Korrekt am Teleskop ausgerichtet, können Sie das Auffinden und Zentrieren von Objekten beschleunigen. Die Ausrichtung erfolgt am besten unter freiem Himmel bei Tageslicht, wenn es einfacher ist, Objekte zu finden. Fokussieren Sie zunächst das Sucherrohr neu (falls erforderlich).

Wählen Sie zum Ausrichten erneut ein mindestens 500 m entferntes Objekt und richten Sie das Teleskop auf das gewählte Objekt. Richten Sie das Teleskop so aus, dass sich das Objekt in der Mitte des Sichtfelds im Okular befindet. Prüfen Sie, ob das Objekt auch im Sucherrohr im Mittelpunkt des Fadenkreuzes liegt. Zentrieren Sie das Fadenkreuz des Suchers mit den drei Stellschrauben auf dem Objekt.

Optisches Zubehör anbringen

Lösen Sie die Rändelschraube am Okularauszug. Setzen Sie den Diagonalspiegel in den Okularauszug ein, fixieren Sie den Diagonalspiegel durch Anziehen der Rändelschraube. Setzen Sie dann das gewünschte Okular in den Diagonalspiegel ein, fixieren Sie das Okular durch Wiederanziehen der Rändelschraube.

Fokussieren

Drehen Sie die Fokussierräder langsam in die eine oder andere Richtung, bis das Bild im Okular scharf ist. Der Bildfokus muss wegen kleiner Schwankungen aufgrund von Temperaturänderungen, Durchbiegen usw. normalerweise nach einiger Zeit erneut feinjustiert werden.

Bedienen der Montierung

Die AZ-Montierung ist eine Azimutalmontierung, bei der Sie das Teleskop entlang der vertikalen (Höhenachse) und horizontalen (Azimutachse) Achsen drehen können. Aufgrund der Erdrotation bewegen sich Himmelsobjekte ständig aus Ihrem Sichtfeld heraus, und Sie müssen Höhenwinkel und Azimut des Teleskops anpassen, um die Beobachtung fortsetzen zu können.

Lieferumfang: Teleskop, Okulare 5 mm und 10 mm, Fokussierer 2x, Diagonalspiegel, Stativ 650–1150 mm.

Fernglas

Pupillenabstand einstellen

Schauen Sie mit beiden Augen durch das Fernglas. Zum Anpassen des Pupillenabstandes ändern Sie den Winkel und damit den Abstand zwischen den beiden Fernglasstuben (den «Rohren»), bis Sie das Bild in einem perfekten Kreis sehen – nicht wie eine liegende Acht, wie man es öfter in Filmen sieht. Merken Sie sich diese Einstellung für die Zukunft.

Scharfstellen

- Betrachten Sie ein weit entferntes Objekt durch das Fernglas;
- Schließen Sie das rechte Auge, drehen Sie das zentrale Scharfstellrad, bis Sie das Bild scharf sehen.

Das Fernglas-Set umfasst: Fernglas, Tasche, Reinigungstuch und Trageriemen.

Technische Daten

Mikroskop

Optisches Material	optisches Polymerglas
Okularkopf	monokular
Okulare	10x
Revolver	3 Objektive: 15x, 45x, 90x
Vergrößerung, x	150–900
Beleuchtung	LED, Spiegel
Stromversorgung	2 AA Batterien

Teleskop

Optische Bauweise	Refraktor
Optisches Material	optisches Glas
Höchste praktische Vergrößerung, x	100
Aperture, mm	50
Brennweite, mm	600
Brennweitenverhältnis	f/12
Okulare	10 mm (60x), 5 mm (120x)
Sucherrohr	2x, optisch
Stativ	Aluminium, 650–1150 mm
Montierung	Azimut (AZ)

Fernglas

Vergrößerung, x	4
Optisches Material	optisches Glas
Optik beschichtung	Vollflächig mehrfach beschichtet
Objektivlinsen durchmesser, mm	30
Augenmuscheln	Gummi
Zentraler Scharfstellmechanismus	+

Levenhuk behält sich das Recht vor, Produkte ohne vorherige Ankündigung zu modifizieren oder einzustellen.

Sicherheitshinweise zum Umgang mit Batterien

- Immer die richtige, für den beabsichtigten Einsatz am besten geeignete Batteriegröße und -art erwerben.
- Stets alle Batterien gleichzeitig ersetzen. Alte und neue Batterien oder Batterien verschiedenen Typs nicht mischen.
- Batteriekontakte und Kontakte am Instrument vor Installation der Batterien reinigen.
- Beim Einlegen der Batterien auf korrekte Polung (+ und -) achten.
- Batterien entnehmen, wenn das Instrument für einen längeren Zeitraum nicht benutzt werden soll.
- Verbrauchte Batterien umgehend entnehmen.
- Batterien nicht kurzschließen, um Hitzeentwicklung, Auslaufen oder Explosionen zu vermeiden.
- Batterien dürfen nicht zum Wiederbeleben erwärmt werden.
- Batterien nicht öffnen.
- Instrumente nach Verwendung ausschalten.
- Batterien für Kinder unzugänglich aufbewahren, um Verschlucken, Ersticken und Vergiftungen zu vermeiden.
- Entsorgen Sie leere Batterien gemäß den einschlägigen Vorschriften.

Levenhuk Garantie

Optikprodukte von Levenhuk haben eine **2-jährige Garantie** auf Material- und Verarbeitungsfehler.

Für sämtliches Levenhuk-Zubehör gilt auch eine **2-jährige Garantie** ab Kaufdatum im Einzelhandel auf Material- und Verarbeitungsfehler.

Die Garantie berechtigt in Ländern, in denen Levenhuk mit einer Niederlassung vertreten ist, zu Reparatur oder Austausch von Levenhuk-Produkten, sofern alle Garantiebedingungen erfüllt sind.

Für weitere Einzelheiten besuchen Sie bitte unsere Website: www.levenhuk.de/garantie

Bei Problemen mit der Garantie, oder wenn Sie Unterstützung bei der Verwendung Ihres Produkts benötigen, wenden Sie sich an die lokale Levenhuk-Niederlassung.

Uso general

Lea las instrucciones detenidamente antes de comenzar a utilizar los dispositivos. Los dispositivos incluidos en el Discovery Scope Set 3 son seguros para el consumidor y el medio ambiente cuando se usan debidamente, y cumplen los requisitos de las normas internacionales. El microscopio incluido en el Discovery Scope Set 3 está diseñado para observar objetos transparentes con luz transmitida mediante la técnica de campo claro. El telescopio incluido en el Discovery Scope Set 3 es un telescopio básico y fácil de usar, perfecto para niños y principiantes en astronomía. Los prismáticos incluidos en el Discovery Scope Set 3 son perfectos para realizar observaciones tanto en la ciudad como en el campo.

Cuidado y mantenimiento

- **Nunca, bajo ninguna circunstancia, mire directamente al sol, a otra fuente de luz intensa o a un láser a través de este instrumento, ya que esto podría causar DAÑO PERMANENTE EN LA RETINA y CEGUERA.**
- Deje de usar el dispositivo si la lente se empaña. ¡No frote la lente! Elimine la humedad con un secador de pelo o apunte el telescopio hacia abajo hasta que la humedad se evapore de forma natural.
- No toque las superficies ópticas con los dedos. Limpie la superficie de la lente con aire comprimido o un paño suave para limpiar lentes. Para limpiar el exterior del instrumento, utilice únicamente los paños y herramientas de limpieza especiales.
- Vuelva a colocar el guardapolvo sobre la parte delantera del telescopio cuando no lo use. Guarde siempre los oculares en sus estuches protectores y cúbralos con sus tapas. Esto evita que se deposite polvo sobre la superficie del espejo o de la lente.
- Lubrique los componentes mecánicos donde haya piezas de conexión de metal y de plástico. Componentes que se deben lubricar:
 - Tubo óptico;
 - Componentes mecánicos de precisión (carril de enfoque, microenfocador del tubo óptico del telescopio);
 - Montura;
 - Engranajes de tornillo sin fin y rueda dentada, cojinetes, ruedas dentadas, engranajes de montaje roscados.Utilice grasas de silicona de uso general con un intervalo de temperaturas de trabajo de -60 a $+180$ °C.
- Tras desembalar el microscopio y antes de utilizarlo por primera vez, compruebe el estado y la durabilidad de cada componente y cada conexión.
- Proteja el instrumento de impactos súbitos y de fuerza mecánica excesiva. No aplique una presión excesiva al ajustar el foco. No apriete demasiado los tornillos de bloqueo.
- No limpie las partículas abrasivas, como por ejemplo arena, con un paño. Únicamente soplelas o bien pase un cepillo blando.
- No utilice este dispositivo durante períodos largos de tiempo ni lo deje sin atender bajo la luz directa del sol. Protéjalo del agua y la alta humedad.
- Tenga cuidado durante las observaciones y cuando termine recuerde volver a colocar la cubierta para proteger el dispositivo del polvo y las manchas.
- Si no va a utilizar el microscopio durante periodos largos de tiempo, guarde las lentes del objetivo y los oculares por separado del microscopio.
- No intente desmontar el instrumento usted mismo bajo ningún concepto. Si necesita repararlo o limpiarlo, contacte con el servicio técnico especializado que corresponda a su zona.
- Guarde el instrumento en un lugar seco y fresco, alejado de ácidos peligrosos y otros productos químicos, radiadores, de fuego y de otras fuentes de altas temperaturas.
- En caso de ingestión de componentes del dispositivo o de la pila, busque asistencia médica de inmediato.
- **Los niños únicamente deben utilizar este telescopio bajo la supervisión de un adulto.**

¡PRECAUCIÓN! ¡HAY RIESGO DE AXFISIA! Estos instrumentos contienen piezas pequeñas. El microscopio, el telescopio y los prismáticos están diseñados para niños de más de 5 años y solamente deben usarse bajo la supervisión de un adulto.

Microscopio

Uso del microscopio

Desembalado y puesta en funcionamiento

- Desembale el microscopio y compruebe que están todas las piezas.
- Comprueba que las pilas están instaladas correctamente en su compartimento. Inserta nuevas pilas si es necesario.
- Coloque el microscopio en una superficie nivelada y encienda la luz. Puede usar el microscopio sin luz, usando un espejo. Colóquelo junto a la fuente de luz brillante (una ventana o una lámpara de escritorio). Gire el espejo hacia la fuente de luz: se verá un punto de luz brillante en el ocular.

Enfoque

- Coloque un objeto en la platina y sujételo con las pinzas para portas.
- Comienza tus observaciones con la menor ampliación y elige un segmento del espécimen para investigarlo con detalle. A continuación mueve el espécimen para centrar el segmento seleccionado en el campo de visión y asegúrate de que sigue centrado cuando cambies el objetivo por otro más potente. Cuando hayas seleccionado el segmento debes centrarlo en el campo de visión del microscopio con la mayor precisión posible. Si no, el segmento deseado puede que no quede centrado en el campo de visión de los objetivos más potentes. Ahora puedes cambiar a otro objetivo de mayor potencia rotando el revólver giratorio. Si es necesario, ajusta el enfoque de la imagen.
- Desplace el objeto hasta colocar la parte más gruesa exactamente bajo el objetivo.
- Ajuste la nitidez girando la perilla de enfoque hasta que vea una imagen nítida. ¡Atención! El objetivo no debe tocar el espécimen, ya que ambos podrían resultar dañados.

El kit incluye: microscopio, ocular 10x, bombilla de recambio, 3 frascos, 3 portaobjetos vacíos, 3 cubreobjetos, 3 pegatinas para portaobjetos, escalpelo, pipeta, espátula, pinzas, aguja de disección.

¡PRECAUCIÓN! Nunca dirijas el espejo hacia el Sol, ya que podrías dañarte la vista e incluso quedarte ciego.

Telescopio

¡ATENCIÓN! Nunca mire directamente al sol, ni siquiera un momento, a través del telescopio o el buscador sin un filtro creado profesionalmente que cubra por completo la parte delantera del instrumento, ya que podría sufrir daños oculares permanentes. Para evitar dañar las partes internas del telescopio asegúrese de que el extremo delantero del buscador está cubierto por papel de aluminio u otro material no transparente. Los niños únicamente deben utilizar este telescopio bajo la supervisión de un adulto.

Todas las piezas del telescopio llegarán en una caja. Desempaquetélas con cuidado. Le recomendamos que conserve todo el embalaje original. Si el telescopio tuviese que enviarse a otro lugar, conservar el embalaje original asegurará que el telescopio supere el viaje intacto. Compruebe la caja cuidadosamente, ya que algunas piezas son pequeñas. Todos los tornillos deben apretarse firmemente para evitar que haya juego o se doblen, pero tenga cuidado de no apretarlos demasiado ya que podría pasarlos de rosca.

Durante el montaje (y en cualquier otro momento), no toque la superficie de los elementos ópticos con los dedos. Las superficies ópticas tienen coberturas delicadas que se pueden dañar con facilidad si las toca. Nunca saque las lentes o los espejos interiores de su lugar o anulará la garantía del producto.

Montaje de la montura

- En la parte inferior del tubo hay una placa de montaje con un orificio roscado. Alinéelo con el tornillo de fijación del trípode.
- Apriete el tornillo para fijar el tubo del telescopio.
- No lo apriete en exceso para no romper accidentalmente la rosca del tornillo.

Montaje y alineación del buscador óptico

Desenrosca los dos tornillos de la parte trasera del tubo del telescopio. Coloca la base del buscador sobre los orificios del tubo. Bloquea la base del buscador en su sitio con los tornillos.

Los buscadores ópticos son unos accesorios muy útiles. Cuando se alinean correctamente con el telescopio, los objetos se pueden encontrar rápidamente y situar en el centro de la imagen. Gira el extremo del buscador para ajustar el enfoque. Para alinear el buscador, escoge un objeto distante que esté al menos a 500 metros y apunta el telescopio hacia el objeto. Ajusta el telescopio de manera que el objeto quede en el centro de la vista del ocular. Comprueba el buscador para ver si el objeto también queda centrado en los ejes. Usa los tres tornillos de ajuste para centrar el visor del buscador en el objeto.

Montaje de accesorios ópticos

Afloje el tornillo del enfocador. Inserta el espejo diagonal en el tubo del enfocador y vuelve a apretar el tornillo para mantener el espejo diagonal en su lugar. A continuación, inserte el ocular que desee en el espejo diagonal y asegúrelo volviendo a apretar el tornillo.

Enfoque

Rote lentamente los mandos de enfoque bajo el mecanismo de enfoque en una dirección o en la otra hasta que la imagen del visor quede definida. Normalmente hay que reenfoque la imagen con el tiempo debido a pequeñas variaciones causadas por cambios de temperatura, flexiones, etc.

Manejo de la montura

La montura AZ es una montura altacimutal que permite girar el telescopio sobre los ejes vertical y horizontal y cambiar su altitud y acimut. Debido al movimiento de La Tierra, los objetos se moverán constantemente de tu vista, así que tendrás que ajustar la altitud y el acimut del telescopio para continuar tus observaciones.

El kit incluye: telescopio, oculares 5 mm y 10 mm, enfocador 2x, espejo diagonal, trípode de aluminio 650–1150 mm.

Prismáticos

Ajuste de la distancia interpupilar

Mire a través de los oculares de los prismáticos con los dos ojos. Para ajustar la distancia interpupilar, siga variando el ángulo entre las partes de los prismáticos (en relación con su eje central) hasta que la imagen se fusione en un solo círculo. Recuerde el ajuste para uso futuro.

Enfoque

- Mire a través de los prismáticos a un objeto distante;
- Cierre el ojo derecho y gire la rueda central de enfoque hasta enfocar la vista.

El kit incluye: prismáticos, funda, paño limpiador, tira.

Especificaciones

Microscopio

Material de los elementos ópticos	vidrio de polímero óptico
Cabezal	monocular
Oculares	10x
Revólver	3 objetivos: 15x, 45x, 90x
Ampliación, x	150–900
Iluminación	LED, espejo
Fuente de alimentación	2 pilas AA

Telescopio

Diseño óptico	refractor
Material de los elementos ópticos	vidrio óptico
Potencia práctica máxima, x	100
Apertura, mm	50
Distancia focal, mm	600
Relación focal	f/12
Oculares	10 mm (60x), 5 mm (120x)
Buscador	2x, óptico
Trípode	aluminio, 650–1150 mm
Montura	azimut (AZ)

Prismáticos

Ampliación, x	4
Material de los elementos ópticos	vidrio óptico
Revestimiento de la óptica	revestimiento completo
Diámetro de la lente del objetivo (apertura), mm	30
Ojeras	goma
Enfoque central	+

Levenhuk se reserva el derecho de realizar cambios en la gama de productos y en las especificaciones sin previo aviso.

Instrucciones de seguridad para las pilas

- Compre siempre las pilas del tamaño y grado indicado para el uso previsto.
- Reemplace siempre todas las pilas al mismo tiempo. No mezcle pilas viejas y nuevas, ni pilas de diferentes tipos.
- Limpie los contactos de las pilas y del instrumento antes de instalarlas.
- Asegúrese de instalar las pilas correctamente según su polaridad (+ y -).
- Quite las pilas si no va a utilizar el instrumento durante un periodo largo de tiempo.
- Retire lo antes posible las pilas agotadas.
- No cortocircuite nunca las pilas ya que podría aumentar su temperatura y podría provocar fugas o una explosión.
- Nunca caliente las pilas para intentar reavivarlas.
- No intente desmontar las pilas.
- Recuerde apagar el instrumento después de usarlo.
- Mantenga las pilas fuera del alcance de los niños para eliminar el riesgo de ingestión, asfixia o envenenamiento.
- Deseche las pilas usadas tal como lo indiquen las leyes de su país.

Garantía Levenhuk

Los productos ópticos de Levenhuk tienen una **garantía de 2 años** contra defectos en materiales y mano de obra. Todos los accesorios Levenhuk están garantizados contra defectos de materiales y de mano de obra durante **2 años** a partir de la fecha de compra.

La garantía incluye la reparación o sustitución gratuita del producto Levenhuk en cualquier país en el que haya una oficina Levenhuk si se reúnen todas las condiciones de la garantía.

Para más detalles visite nuestra página web: <http://es.levenhuk.com/garantia>

En caso de problemas con la garantía o si necesita ayuda en el uso de su producto, contacte con su oficina de Levenhuk más cercana.

Általános használat

Olvassa el figyelmesen az utasításokat, mielőtt el kezdené használni az eszközöket. A Discovery Scope Set 3 normál használat esetében a vásárló egészségére, életére, tulajdonára és a környezetre nem ártalmas, továbbá megfelel a nemzetközi szabványoknak. A Discovery Scope Set 3 mikroszkópot áteső fényben történő, világos látóterű módszert használó megfigyelésre tervezték. A Discovery Scope Set 3 teleszkóp könnyen használható, belépő szintű teleszkóp, tökéletes gyerekeknek és a csillagászattal most ismerkedőknek. A Discovery Scope Set 3 kétszemes távcsövek tökéletesek mind a városi, mind a vidéki megfigyelésekhez.

Ápolás és karbantartás

- **Speciális szűrő hiányában soha, semmilyen körülmények között ne nézzen közvetlenül a Napba, vagy egyéb, nagyon erős fényforrásba vagy lézersugárba az eszközön keresztül, mert az MARADANDÓ KÁROSODÁST OKOZ A RETINÁJÁBAN ÉS AKÁR MEG IS VAKULHAT.**
- Ne használja az eszközt tovább, ha a lencsék bepárásodtak. Ne törölje a lencsét! A nedvességet hajszárítóval távolítsa el vagy irányítsa a teleszkópot lefele, hogy a nedvesség természetes módon elpárologhasson.
- Az optikai elemek felületéhez soha ne érjen az ujjával. A lencsék felületét sűrített levegővel vagy lencsetisztításra tervezett puha törölkendővel tisztítsa. Az eszköz külső tisztításához használjon speciális, erre a célra tervezett törölkendőket és eszközöket, amelyeket az optika tisztításához ajánlanak.
- Minden esetben tegye vissza a porvédő kupakot a teleszkóp elülső végére, ha azt nem használhatja. A szemlencsét mindig tegye a saját védőtokjába és arra helyezze fel a kupakot. Ezzel megakadályozhatja, hogy por rakódjon a tükörrre vagy a lencsék felületére.
- A mechanikus alkatrészeket és a fémmel érintkező műanyag elemeket kenje meg. Kenést igénylő alkatrészek:
 - Optikai tubus;
 - Finommechanika (fókuszáló sín, teleszkóp optikai tubus mikro-fókuszálója);
 - Rögzítés;
 - Csiga-párok, csapágyak, fogaskerekek, menetes rögzítő szerkezetek.

Használjon általános rendeltetésű szilikon-alapú $-60 \dots +180 \text{ °C}$ üzemi hőmérséklettartományra tervezett kenőanyagot.

- A mikroszkóp kicsomagolása után, de még annak legelső használata előtt ellenőrizze az alkatrészek és csatlakozások sérülésmentes állapotát és tartósságát.
- Óvja az eszközt a hirtelen behatásoktól és a hosszabb ideig tartó mechanikai erőktől. Ne használjon túlzott erőt a fókusz beállításánál. Ne húzza túl a szorítócsavarokat.
- A koptató hatású részecskéket, például a homokot ne törléssel, hanem fújással vagy puha ecsettel távolítsa el a lencséről.
- Ne használja az eszközt hosszú időtartamon keresztül a tűző napon, vagy ne hagyja ott felügyelet nélkül. Tartsa az eszközt víztől és magas páratartalomtól védett helyen.
- Legyen körültekintő a megfigyelések során, mindig helyezze vissza a porvédőt a megfigyelés befejeztével, így megóvhatja eszközét a portól és a szennyeződésektől.
- Ha a mikroszkóp hosszabb ideig használaton kívül van, akkor a mikroszkóptól elkülönítetten tárolja az objektívlencsét és a szemlencsét.
- Bármilyen legyen is az ok, semmiképpen ne kísérelje meg szétszerelni az eszközt. Ha az eszköz javításra vagy tisztításra szorul, akkor keresse fel vele a helyi szakszervizt.
- Száraz, hűvös helyen tárolja az eszközt, veszélyes savaktól és egyéb kémiai anyagoktól elkülönítetten, hőszigetelőtől, nyílt lángtól és egyéb hőforrásoktól távol.
- Ha az eszköz valamely alkatrészét vagy az elemét lenyelik, akkor kérjen, azonnal orvosi segítséget.
- **A gyermekek a teleszkópot csak felnőtt felügyelete mellett használhatják.**

VIGYÁZAT! FULLADÁSVEZÉLY! Az eszközökön apró részegységek találhatóak. A mikroszkópot, a teleszkópot és a kétszemes távcsövet 5 évesnél idősebb gyermekek számára tervezték és szülő felügyelete mellett használható.

Mikroszkóp

A mikroszkóp használata

Az első lépések

- Csomagolja ki a mikroszkópot és győződjön meg róla, hogy annak mindegyik része a rendelkezésére áll.
- Ellenőrizze, hogy az elemek a helyükön vannak az elemtartó rekeszben; ha szükséges, helyezzen be új elemeket.
- Helyezze a mikroszkópot vízszintes felületre és kapcsolja be a lámpát. A mikroszkópot lámpa nélkül is használhatja a tükrökkel. Helyezze azt egy fényes fényforrás közelébe (ablakhoz vagy az asztali lámpához). Forgassa a tükröt a fényforrás felé - úgy, hogy a szemlencsében megjelenjen fénypont.

Fókuszálás

- Helyezzen egy mintát a tárgyasztalra és rögzítse azt a csipeszekkel.
- Kezdje a megfigyelést a legkisebb nagyítású objektívvel és válasszon ki egy olyan részt a mintából, melyet részleteiben szeretne tanulmányozni. Ekkor mozgassa a minta megfigyelésre kiválasztott részét a látómező központi része felé, ellenőrizze, hogy az középen marad, amikor egy nagyobb fokozatú nagyításra váltja az objektívet. Ha kiválasztotta a megfigyelni kívánt részletet, akkor próbálja meg annyira középre igazítani a képet a mikroszkóp látómezőjében, amennyire csak lehetséges. Ha másképpen cselekszik, akkor előfordulhat, hogy a kívánt részlet nem a látómezőben fog elhelyezkedni, amikor nagyobb mértékű nagyításra váltja az objektívet. Most állítsa az objektívlencsét egy erősebb nagyítási fokra a revolverfej elforgatásával. Ha szükséges, állítsa be a képfókusz.
- Mozgassa a mintát úgy, hogy annak legvastagabb része pontosan az objektív alá essen.
- Állítsa be az élességet, ehhez forgassa a fókuszáló gombot míg a kép éles nem lesz. **Vigyázat!** Az objektív nem érintkezhet a mintával, különben az objektív vagy/és a minta megsérülhet.

A mikroszkóp-készlet a következőket tartalmazza: mikroszkóp, 10x-es nagyítású szemlencse, pótizzó, üres flakon (3 db), tárgylemezek és fedőlemezek (rendre 3 db), tárgylemez-jelölők (3 db), műanyag eszközök (szike, pipetta, spatula, csipesz, bontótű).

VIGYÁZAT! Soha ne irányítsa a tükröt közvetlenül a Napra, kárt tehet vele a látásában, akár meg is vakulhat.

Teleszkóp

VIGYÁZAT! Soha ne nézzen közvetlenül a Napba – még egy pillanatra sem – teleszkópján vagy keresőtávcsövén keresztül olyan professzionális napsűrítő nélkül, ami teljesen lefedi a műszer elejét, különben az maradandó szemkárosodást okozhat. A teleszkóp belső részei sérülésének elkerülése végett győződjön meg róla, hogy a keresőteleszkóp elülső része le van fedve alufóliával vagy egyéb, nem átlátszó anyaggal. A gyermekek a teleszkópot csak felnőtt felügyelete mellett használhatják.

A teleszkóp minden alkatrésze ugyanabban a dobozban érkezik. Óvatosan csomagolja ki. Javasoljuk, hogy tartsa meg az eredeti tartódobozt. Abban az esetben, ha a teleszkópot másik helyre kell szállítani, a teleszkóp sértetlen átszállítását az erre a célra leginkább megfelelő tartódobozban lehet biztosítani. Alaposan ellenőrizze a dobozt, mivel kis alkatrészek is vannak benne. A meghajlás és a lötyögés megakadályozása érdekében minden egyes csavart szorosan húzzon meg, de ne húzza túl azokat, mert így a csavarok akár el is nyíródhatnak.

Az összeállítás során (ezt bármikor érvényes), ne érintse az optikai elemeket az ujjával. Az optikai elemek felszíne finom bevonattal rendelkezik, és ez érintés hatására könnyen megsérülhet. Soha ne vegye ki a foglalatból a lencsét, máskülönben a termékre vonatkozó garancia teljes mértékben érvényét veszíti.

Állványcsatlakozás

- A tubus alsó részén rögzítőlemez található menetes furattal. Igazítsa azt a háromlábú állvány rögzítőcsavarjához.
- Csavarja a háromlábú állvány rögzítőcsavarját a tubus rögzítőlemezén található furatba, hogy biztosan rögzítse a teleszkóp tubusát.
- Ne húzza meg túlságosan a csavart, mert akkor véletlenül megsérülhet a csavarmentet.

Optikai keresőtávcső összeállítása és beállítása

Csavarjon ki két csavart a teleszkóp tubus hátsó részén. Helyezze a keresőtávcső talpazatát a tubus furatai fölé. A csavarok meghúzásával rögzítse a keresőtávcső talpazatát.

Az optikai keresőtávcsövek nagyon hasznos tartozékok. Ha megfelelően egy vonalba vannak állítva a teleszkóppal, az objektumok gyorsan megkereshetők és a nézet középpontjába állíthatók. Forgassa befelé és kifelé a teleszkóp végét a fókusz beállításához.

A keresőteleszkóp beigazításához válasszon egy távoli objektumot, amely legalább 500 méter távolságra helyezkedik el, és irányítsa rá a teleszkópot. Állítsa be a teleszkópot úgy, hogy az objektum a szemlencse látómezejének közepén helyezkedjen el. Nézzon bele a keresőtávcsőbe és ellenőrizze, hogy az objektum a hajszálkeresztben is központi helyzetben van-e. Használja a három beállítócsavart, hogy központosítsa a keresőtávcső hajszálkeresztjét az objektumon.

Optikai tartozékszerelvény

Lazítsa meg a fókuszállító kézzel állítható csavarját. Illessze be diagonális tükröt a fókuszállító tubusba és húzza meg ismét a kézzel állítható csavart, hogy megtartsa a diagonális tükröt a helyén. Ezután illessze be a kívánt szemlencsét a diagonális tükörbe, és rögzítse azt a kézzel állítható csavar ismételt meghúzásával.

Fókuszálás

Lassan forgassa a fókuszállító gombot az egyik irányba egészen addig, amíg a szemlencsén keresztül érzékelt kép élessé nem válik. A képet időnként finoman újra fókuszálni kell a hőmérséklet változása, az elhajlás vagy egyéb hatások miatt.

Az állvány kezelése

Az AZ állvány alt-azimut állvány, amely lehetővé teszi, hogy a teleszkópot a függőleges és vízszintes tengelyek körül forgassa, és módosítsa annak magasságát és azimutját. A Föld mozgásából adódóan az objektumok folyamatosan kitolódnak a nézetből, így a megfigyelések folytatásához módosítani kell a teleszkóp magasságát és azimutját.

A teleszkóp készlet tartalma: teleszkóp, 5 mm-es és 10 mm-es szemlencsék, 2x-es optikai keresőtávcső, diagonális tükör, 650–1150 mm-es alumínium háromlábú állvány.

Kétszemes távcső

Pupillatávolság állítása

Mindkét szemével nézzen a kétszemes távcső szemlencséjébe. A pupillatávolság állításához változtassa a kétszemes távcső részeinek szögét (a központi tengelyhez képes), míg a kép egyetlen körben nem egyesül. Jegyezze meg a beállítást, hogy azt később is használhassa.

Fókuszálás

- Nézzon a kétszemes távcsővel egy távolban található objektumot;
- Hunyja be a jobb szemét, majd kezdje el forgatni a központi fókusz-állító kereket egészen addig, míg a kép élessé nem válik.

A kétszemes távcső-készlet a következőket tartalmazza: kétszemes távcső, tasak, tisztítókendő, pánt.

Műszaki paraméterek

Mikroszkóp

Optika anyaga	optikai polimerüveg
Szemlencse fejrész	egyszemlencsés
Szemlencsék	10x
Revolverfej	3 objektív: 15x, 45x, 90x
Nagyítás, x	150–900
Megvilágítás	LED, tükör
Tápellátás	2 db AA elem

Teleszkóp

Optikai kialakítás	refraktor
Optika anyaga	optikai üveg
Legnagyobb gyakorlati nagyítás, x	100
Rekesznyílás, mm	50
Fókusz-távolság, mm	600
Fókuszarány	f/12
Szemlencsék	10 mm (60x), 5 mm (120x)
Keresőtávcső	2x, optikai

Háromlábú állvány	aluminium, 650–1150 mm
Állvány	azimuth (AZ)

Kétszemes távcsövek

Nagyítás, x	4
Optika anyaga	optikai üveg
Optika bevonata	teljesen bevonatolt
Objektívlencse átmérője (rekesznyílás), mm	30
Szemkagylók	gumi
Központi fókuszállítás	+

A gyártó fenntartja magának a jogot a termékinálat és a műszaki paraméterek előzetes értesítés nélkül történő módosítására.

Az elemekkel kapcsolatos biztonsági intézkedések

- Mindig a felhasználásnak legmegfelelőbb méretű és fokozatú elemet vásárolja meg.
- Elemcsere során mindig az összes elemet egyszerre cserélje ki; ne keverje a régi elemeket a frissekkel, valamint a különböző típusú elemeket se keverje egymással össze.
- Az elemek behelyezése előtt tisztítsa meg az elemek és az eszköz egymással érintkező részeit.
- Győződjön meg róla, hogy az elemek a pólusokat tekintve is helyesen kerülnek az eszközbe (+ és -).
- Amennyiben az eszközt hosszabb ideig nem használja, akkor távolítsa el az elemeket.
- A lemerült elemeket azonnal távolítsa el.
- Soha ne zárja rövidre az elemeket, mivel így azok erősen felmelegedhetnek, szivárogni kezhetnek vagy felrobbanhatnak.
- Az elemek élettartamának megnöveléséhez soha ne kísérelje meg felmelegíteni azokat.
- Ne bontsa meg az akkumulátorokat.
- Használat után ne felejtse el kikapcsolni az eszközt.
- Az elemeket tartsa gyermekektől távol, megelőzve ezzel a lenyelés, fulladás és mérgezés veszélyét.
- A használt elemeket az Ön országában érvényben lévő jogszabályoknak megfelelően adhatja le.

Levenhuk szavatosság

A Levenhuk optikai termékekre **2 év szavatosságot biztosítunk** anyaghibákra és/vagy a gyártási hibákra.

A Levenhuk-kiegészítőkhöz a Levenhuk-vállalat a kiskereskedelmi vásárlás napjától számított **2 évig** érvényes szavatosságot nyújt az anyaghibák és/vagy a gyártási hibák vonatkozásában.

Ha minden szavatossági feltétel teljesül, akkor a szavatosság értelmében bármely olyan országban kérheti a Levenhuk termék díjmentes javíttatását vagy cseréjét, ahol a Levenhuk vállalat fiókirodát üzemeltet.

További részletekért látogasson el weboldalunkra: www.levenhuk.hu/garancia

Amennyiben garanciális probléma lépne fel vagy további segítségre van szüksége a termék használatát illetően, akkor vegye fel a kapcsolatot a helyi Levenhuk üzlettel.

Indicazioni d'uso

Leggere attentamente le istruzioni prima dell'utilizzo degli strumenti. Il set Discovery Scope Set 3 è sicuro per la salute e la tutela del consumatore e dell'ambiente quando usato nel modo appropriato e rispetta tutti i requisiti degli standard internazionali. Il microscopio del set Discovery Scope Set 3 è progettato per l'osservazione di campioni trasparenti in luce trasmessa con metodo a campo chiaro. Il telescopio del set Discovery Scope Set 3 è uno strumento per principianti, facile da usare, perfetto per i bambini e gli astronomi alle prime armi. Il binocolo del set Discovery Scope Set 3 è adatto sia per le osservazioni urbane che per l'uso in natura.

Cura e manutenzione

- **Non utilizzare in nessun caso questo apparecchio per guardare direttamente il Sole, un'altra sorgente di luce ad alta luminosità o un laser, senza un opportuno filtro speciale, perché ciò potrebbe provocare DANNI PERMANENTI ALLA RETINA e portare a CECITÀ.**
- Interrompere l'uso dell'apparecchio in caso di appannamento della lente. Non strofinare un panno sulla lente bagnata! Rimuovere la condensa usando un asciugacapelli o puntando il telescopio verso il basso finché la condensa non evapora naturalmente.
- Non toccare le superfici ottiche con le dita. Pulire la superficie della lente con un flusso di aria compressa o una salvietta morbida per lenti. Per pulire l'esterno dell'apparecchio, utilizzare soltanto le salviette apposite e gli opportuni strumenti di pulizia consigliati.
- Quando il telescopio non è in uso, ricollocare il coperchio antipolvere sulla sua estremità anteriore. Riporre sempre gli oculari nelle custodie protettive e con i coperchi montati. In questo modo, si evita che la polvere si depositi sulle superfici dello specchio o delle lenti.
- Lubrificare i componenti meccanici in cui vengono a contatto parti in plastica e in metallo. Componenti da lubrificare:
 - tubo ottico;
 - meccaniche di precisione (guida del meccanismo di messa a fuoco, focheggiatore micrometrico per il tubo ottico del telescopio);
 - montatura;
 - coppie di ruote dentate e viti senza fine, cuscinetti, pignoni, ingranaggi della montatura con filettature.Utilizzare un olio multiuso a base siliconica con un range di temperature d'esercizio pari a $-60 \dots +180 \text{ }^{\circ}\text{C}$.
- Dopo aver disimballato il microscopio e prima di utilizzarlo per la prima volta, verificare l'integrità e lo stato di conservazione di tutte le componenti e le connessioni.
- Proteggere l'apparecchio da urti improvvisi ed evitare che sia sottoposto ad eccessiva forza meccanica. Durante la messa a fuoco, non applicare una forza eccessiva. Non stringere eccessivamente le viti di bloccaggio.
- Per rimuovere eventuali particelle abrasive, ad esempio sabbia, dalle lenti, non strofinare, ma soffiare oppure utilizzare una spazzola morbida.
- Non utilizzare il dispositivo per lunghi periodi e non lasciarlo incustodito sotto i raggi diretti del sole. Non esporre il dispositivo all'acqua o a elevata umidità.
- Prestare attenzione durante le osservazioni e, una volta terminato, rimettere sempre il coperchio protettivo per proteggere l'apparecchio da polvere e macchie.
- Se non si intende utilizzare il microscopio per periodi prolungati, conservare le lenti obiettivo e gli oculari separatamente dal microscopio.
- Non cercare per nessun motivo di smontare autonomamente l'apparecchio. Per qualsiasi intervento di riparazione e pulizia, contattare il centro di assistenza specializzato di zona.
- Conservare l'apparecchio in un luogo fresco e asciutto, al riparo da acidi pericolosi e altri prodotti chimici, lontano da elementi riscaldanti, fiamme libere e altre fonti di calore.
- In caso di ingestione di una parte dell'apparecchio o della batteria, consultare immediatamente un medico.
- **I bambini dovrebbero utilizzare il telescopio soltanto con la supervisione di un adulto.**

ATTENZIONE! PERICOLO DI SOFFOCAMENTO! Questi strumenti contengono piccole parti. Il microscopio, il telescopio e il binocolo sono progettati per bambini di età superiore ai 5 anni e devono essere usati solo sotto la supervisione di un adulto.

Microscopio

Utilizzo del microscopio

Preparazione

- Disimballare il microscopio e assicurarsi che tutte le parti siano presenti.
- Assicurarsi che le batterie siano installate correttamente nel comparto batterie; se necessario, inserire nuove batterie.
- Posizionare il microscopio su una superficie piana e accendere la luce. È possibile usare il microscopio senza luce, sfruttando lo specchio. Posizionarlo vicino a un'intensa sorgente luminosa (una finestra o una lampada da scrivania). Girare lo specchio verso la sorgente luminosa: attraverso l'oculare dovrebbe essere possibile vedere una macchia di luce intensa.

Messa a fuoco

- Collocare un campione sul tavolino portacampione e fissarlo con i supporti.
- Iniziare l'osservazione con l'obiettivo che offre l'ingrandimento minore e selezionare la porzione del campione che si intende esaminare nel dettaglio. Spostare quindi il campione in modo da centrare la porzione selezionata nel campo visivo, per assicurarsi che rimanga centrata quando l'obiettivo viene sostituito con un altro più potente. Una volta selezionata la porzione, occorre centrare l'immagine nel campo visivo del microscopio con la massima precisione possibile. In caso contrario, la porzione desiderata potrebbe risultare non centrata nel campo visivo dell'obiettivo più potente. A questo punto è possibile passare a un obiettivo più potente ruotando il revolver. Se necessario, regolare la messa a fuoco dell'immagine.
- Spostare il campione in modo da posizionarne la parte di sezione più spessa esattamente al di sotto dell'obiettivo.
- Regolare la nitidezza, ruotando la manopola della messa a fuoco, finché l'immagine non risulta nitida.
Attenzione! l'obiettivo non deve toccare il campione, altrimenti l'obiettivo e/o il campione potrebbero essere danneggiati.

Il kit del microscopio comprende: microscopio, oculare 10x, lampadina di ricambio, provette vuote (3 pz.), vetrini e coprioggetto (3 pz. ciascuno), adesivi per vetrini (3 pz.), utensili in plastica (bisturi, pipetta, spatola, pinze, ago da dissezione).

ATTENZIONE! Non puntare mai lo specchio verso il Sole, ciò potrebbe causare danni alla vista o persino cecità.

Telescopio

ATTENZIONE! Non guardare mai (nemmeno per un istante) il sole direttamente attraverso il telescopio o il mirino senza un filtro solare di fattura professionale che copra completamente la parte anteriore dello strumento. In caso contrario, esiste il rischio di danni permanenti all'occhio. Per evitare di danneggiare le parti interne del telescopio, assicurarsi che l'estremità anteriore del mirino sia coperta con foglio di alluminio o con altro materiale non trasparente. I bambini possono utilizzare il telescopio soltanto con la supervisione di un adulto.

Tutte le parti del telescopio vengono consegnate in un'unica scatola. Disimballare con cautela. Conservare l'imballaggio di spedizione originale: sarà necessario in caso di invio del telescopio al centro di assistenza. Verificare con attenzione il contenuto della scatola, in quanto alcune parti sono di piccole dimensioni. Tutte le viti devono essere fissate con fermezza per evitare flessioni od oscillazioni; tuttavia, assicurarsi di non stringerle in modo eccessivo, poiché ciò potrebbe danneggiare le filettature. Non toccare le superfici degli elementi ottici durante il montaggio (né, in generale, in qualsiasi altro momento). Le superfici ottiche presentano rivestimenti delicati che si danneggiano facilmente in caso di contatto. Non rimuovere mai le lenti dai rispettivi alloggiamenti, o la garanzia del prodotto risulterebbe annullata.

Assemblaggio della montatura

- Sulla parte inferiore del tubo, è presente una piastra di montaggio con un foro filettato. Allineare il foro con la vite di fissaggio del treppiede.
- Avvitare la vite di fissaggio del treppiede nel foro della piastra di montaggio per ancorare il tubo del telescopio.
- Non stringere troppo la vite, altrimenti si potrebbe danneggiare involontariamente la filettatura.

Assemblaggio e allineamento del cercatore ottico

Sfilare le due viti dal fondo del tubo del telescopio. Posizionare la base del cercatore sui fori del tubo. Fissare la base del cercatore in posizione serrando le viti.

Il cercatore ottico è un accessorio molto utile. Quando è allineato correttamente con il telescopio, consente di

localizzare velocemente i corpi celesti e di portarli al centro del campo visivo. Ruota l'estremità del cercatore per regolare il fuoco.

Per allineare il cercatore, scegli un oggetto distante almeno 500 m e punta il telescopio su di esso. Regolare il telescopio in modo che l'oggetto sia al centro del campo visivo dell'oculare. Controllare se l'oggetto è anche al centro del mirino del cercatore. Utilizzare le viti di regolazione per centrare il mirino del cercatore sull'oggetto.

Assemblaggio accessori ottici

Allentare la vite a testa alettata del focheggiatore. Inserire il diagonale a specchio nel tubo del focheggiatore e serrare nuovamente la vite a testa alettata per fissare il diagonale in posizione. A questo punto, inserire l'oculare desiderato nel diagonale a specchio e assicurarlo serrando la vite a testa alettata.

Messa a fuoco

Ruotare lentamente le manopole di messa a fuoco in una direzione o nell'altra fino a ottenere un'immagine nitida nell'oculare. Generalmente la messa a fuoco dell'immagine deve essere ripetuta dopo un certo tempo, a causa per esempio di piccole variazioni provocate da cambiamenti della temperatura, flessioni e così via.

Manovrare la montatura

La montatura AZ è una montatura altazimutale che consente di ruotare il telescopio sull'asse verticale a su quello orizzontale, variando altezza e azimut. A causa del movimento della Terra, gli oggetti continueranno ad uscire dal campo visivo, quindi sarà necessario regolare costantemente altezza e azimut del telescopio per continuare l'osservazione.

Il kit del telescopio comprende: telescopio, oculari da 5 mm e 10 mm, cercatore ottico 2x, diagonale a specchio, treppiede in alluminio da 650–1150 mm.

Binocolo

Regolazione della distanza interpupillare

Osservare attraverso il binocolo con entrambi gli occhi. Per regolare la distanza interpupillare, continuare a variare l'angolo tra le parti del binocolo (relativamente al suo asse centrale) finché non si vede un'unica immagine circolare. Ricordare il posizionamento per gli utilizzi futuri.

Messa a fuoco

- Osservare un oggetto lontano tramite il binocolo;
- Chiudere l'occhio destro e ruotare la ghiera di messa a fuoco centrale finché l'oggetto non è focheggiato.

Il kit del binocolo comprende: binocolo, astuccio, pezzuola per la pulizia, cinghia.

Specifiche

Microscopio

Materiale delle ottiche	vetro polimero ottico
Testata	monoculare
Oculari	10x
Revolver portaobiettivi	3 obiettivi: 15x, 45x, 90x
Ingrandimenti, x	150–900
Illuminazione	LED, specchio
Alimentazione	2 batterie AA

Telescopio

Design ottico	rifrattore
Materiale delle ottiche	vetro ottico
Potere di ingrandimento utile massimo, x	100
Apertura, mm	50
Distanza focale, mm	600
Rapporto focale	f/12
Oculari	10 mm (60x), 5 mm (120x)
Mirino	2x, ottico

Treppiede	alluminio, 650–1150 mm
Montaggio	azimut (AZ)

Binocolo

Ingrandimenti, x	4
Materiale delle ottiche	vetro ottico
Trattamento lenti	interamente rivestita
Diametro lente obiettivo (apertura), mm	30
Conchiglie oculari	gomma
Central focusing	+

Levenhuk si riserva il diritto di modificare qualsiasi prodotto o sospenderne la produzione senza alcun preavviso.

Istruzioni di sicurezza per le batterie

- Acquistare batterie di dimensione e tipo adeguati per l'uso di destinazione.
- Sostituire sempre tutte le batterie contemporaneamente, evitando accuratamente di mischiare batterie vecchie con batterie nuove oppure batterie di tipo differente.
- Prima della sostituzione, pulire i contatti della batteria e quelli dell'apparecchio.
- Assicurarsi che le batterie siano state inserite con la corretta polarità (+ e -).
- Se non si intende utilizzare l'apparecchio per lungo periodo, rimuovere le batterie.
- Rimuovere subito le batterie esaurite.
- Non cortocircuitare le batterie, perché ciò potrebbe provocare forte riscaldamento, perdita di liquido o esplosione.
- Non tentare di riattivare le batterie riscaldandole.
- Non disassemblare le batterie.
- Dopo l'utilizzo, non dimenticare di spegnere l'apparecchio.
- Per evitare il rischio di ingestione, soffocamento o intossicazione, tenere le batterie fuori dalla portata dei bambini.
- Disporre delle batterie esaurite secondo le norme vigenti nel proprio paese.

Garanzia Levenhuk

I prodotti ottici Levenhuk sono coperti da **2 anni di garanzia** per quanto riguarda i difetti di fabbricazione e dei materiali.

Tutti gli accessori Levenhuk godono di una garanzia di **2 anni** a partire dalla data di acquisto per quanto riguarda i difetti di fabbricazione e dei materiali.

La garanzia conferisce il diritto alla riparazione o sostituzione gratuita del prodotto Levenhuk in tutti i paesi in cui è presente una sede Levenhuk, a patto che tutte le condizioni di garanzia siano rispettate.

Per maggiori dettagli, visitare il nostro sito web: www.levenhuk.eu/warranty

Per qualsiasi problema di garanzia o necessità di assistenza per l'utilizzo del prodotto, contattare la filiale Levenhuk di zona.

Ogólne zastosowanie

Przed rozpoczęciem korzystania z przyrządów przeczytaj uważnie instrukcje obsługi. Przy prawidłowym użytkowaniu zestaw Discovery Scope Set 3 jest bezpieczny dla zdrowia, życia, mienia użytkownika oraz środowiska naturalnego i spełnia wymogi norm międzynarodowych. Mikroskop Discovery Scope Set 3 jest przeznaczony do obserwacji obiektów przezroczystych w świetle przechodzącym metodą jasnego pola. Teleskop Discovery Scope Set 3 to łatwy w obsłudze teleskop dla początkujących, idealny dla dzieci i osób rozpoczynających przygodę z astronomią. Lornetka Discovery Scope Set 3 doskonale nadaje się do prowadzenia obserwacji zarówno w mieście, jak i na tonie natury.

Konserwacja i pielęgnacja

- **Pod żadnym pozorem nie wolno kierować urządzenia bezpośrednio na słońce, światło laserowe lub inne źródło jasnego światła bez stosowania specjalnego filtra, ponieważ może to spowodować TRWAŁE USZKODZENIE SIATKÓWKI lub doprowadzić do ŚLEPOTY.**
 - Nie używaj przyrządu, jeśli soczewka jest zaparowana. Nie wycieraj soczewki! Usuń wilgoć przy użyciu suszarki do włosów lub skieruj teleskop w dół, aż wilgoć sama wyparuje.
 - Nie dotykaj powierzchni optycznych palcami. Wyczyść powierzchnię soczewki sprężonym powietrzem lub specjalną miękką ściereczką do czyszczenia soczewek. Do czyszczenia zewnętrznych powierzchni przyrządu używaj tylko specjalnych ściereczek i narzędzi do czyszczenia optyki.
 - Jeśli teleskop nie jest używany, załóż osłonę przeciwpylową na jego przednią część. Zawsze wkładaj okulary do futerałów ochronnych i zakrywaj je osłonami. Zapobiegnie to gromadzeniu się kurzu na powierzchni lustra i soczewki.
 - Nasmaruj elementy mechaniczne zawierające łączniki z metalu i tworzywa sztucznego. Elementy wymagające smarowania:
 - Tubus
 - Mechanizmy precyzyjne (prowadnica wyciągu, wyciąg precyzyjny tubusu teleskopu)
 - Montaż
 - Przekładnie ślimakowe, łożyska, koła zębate, połączenia gwintowane montażu.
- Stosuj smary uniwersalne na bazie silikonu o zakresie temperatur roboczych od -60 do $+180$ °C.
- Po rozpakowaniu mikroskopu i przed jego pierwszym użyciem należy sprawdzić stan i prawidłowość podłączenia każdego elementu.
 - Chronić przyrząd przed upadkami z wysokości i działaniem nadmiernej siły mechanicznej. Nie należy używać nadmiernej siły podczas ustawiania ostrości. Nie należy dokręcać zbyt mocno śrub blokujących.
 - Cząsteczki ścierające, takie jak ziarna piasku, powinny być zdmuchiwane z powierzchni soczewek lub usuwane za pomocą miękkiej szczotki.
 - Nie wystawiaj przyrządu na długotrwałe działanie promieni słonecznych. Trzymaj z dala od wody. Nie należy przechowywać w warunkach wysokiej wilgoci.
 - Podczas obserwacji należy zachować ostrożność. Po zakończeniu obserwacji załóż osłonę przeciwpylową w celu zabezpieczenia mikroskopu przed kurzem i zanieczyszczeniami.
 - W przypadku korzystania z mikroskopu przez dłuższy czas soczewki obiektywowe i okulary oraz mikroskop należy przechowywać osobno.
 - Nie podejmuj prób samodzielnego demontażu urządzenia. W celu wszelkich napraw i czyszczenia skontaktuj się z punktem serwisowym.
 - Przyrząd powinien być przechowywany w suchym, chłodnym miejscu, z dala od niebezpiecznych kwasów oraz innych substancji chemicznych, grzejników, otwartego ognia i innych źródeł wysokiej temperatury.
 - W razie połączenia jakiegokolwiek części lub baterii należy natychmiast skontaktować się z lekarzem.
 - **Używanie teleskopu przez dzieci może odbywać się tylko pod nadzorem osób dorosłych.**

UWAGA! RYZYKO ZADŁAWIENIA! Przyrządy zawierają drobne części. Mikroskop, teleskop i lornetka zostały zaprojektowane dla dzieci powyżej 5 i powinny być używane wyłącznie pod nadzorem osoby dorosłej.

Mikroskop

Użytkowanie mikroskopu

Rozpakowanie i pierwsze kroki

- Rozpakuj mikroskop i upewnij się, że obecne są wszystkie elementy.
- Upewnij się, że baterie zostały właściwie umieszczone w komorze; w razie potrzeby wymień je na nowe.
- Ustaw mikroskop na równej powierzchni i włącz oświetlenie. Mikroskopu można używać bez oświetlenia, zastępując je lusterkiem. Umieść przyrząd w pobliżu źródła jasnego światła (okna lub lampki na biurku). Obróć lusterko w kierunku źródła światła – w okularze powinna pojawić się jasna plamka światła.

Ustawianie ostrości

- Umieść preparat na stoliku i zabezpieczyć za pomocą uchwytów preparatu.
- Na początku obserwacji ustaw najmniejsze powiększenie i wybierz fragment preparatu, który chcesz dokładnie obejrzeć. Następnie ustaw preparat tak, aby wybrany fragment znajdował się w polu widzenia. Dzięki temu będzie on odpowiednio wyśrodkowany również po zmianie obiektywu na mocniejszy. Po wybraniu fragmentu należy z największą możliwą precyzją wycentrować obraz w polu widzenia mikroskopu. W przeciwnym wypadku fragment, który chcesz obserwować może nie znaleźć się w środku pola widzenia po zmianie obiektywu na mocniejszy. Teraz możesz zmienić obiektyw na mocniejszy, obracając głowicę. W razie konieczności wyreguluj ostrość obrazu.
- Przesuń preparat tak, aby jego najgrubsza część znajdowała się pod obiektywem.
- Wyreguluj ostrość, obracając pokrętkę ostrości, aż do uzyskania wyraźnego obrazu. **Ostrożnie!** Obiektyw nie powinien dotykać preparatu, gdyż może to spowodować uszkodzenie obiektywu i/lub preparatu.

Zawartość zestawu: mikroskop, okular 10x, żarówka pomocnicza, fiolka (3), szkiełka podstawowe (3) i szkiełka nakrywkowe (3), naklejki na preparaty (3), skalpel, pipeta, szpatułka, peseta, igła preparacyjna.

UWAGA! Nigdy nie ustawiaj lusterka w stronę Słońca, ponieważ może to spowodować uszkodzenie wzroku, a nawet ślepotę.

Teleskop

OSTROŻNIE! Nigdy, nawet przez krótką chwilę, nie wolno kierować teleskopu ani lunety nastawczej na słońce bez nałożenia profesjonalnego filtra słonecznego, który całkowicie zakrywa przednią część przyrządu. W przeciwnym razie może dojść do trwałego uszkodzenia wzroku. Aby uniknąć uszkodzenia wewnętrznych części teleskopu, należy zakryć przednią część lunety nastawczej folią aluminiową lub innym nieprzezroczystym materiałem. Używanie teleskopu przez dzieci może odbywać się tylko pod nadzorem osób dorosłych.

Wszystkie części teleskopu dostarczane są w jednym opakowaniu. Zachowaj ostrożność podczas rozpakowywania. Zalecamy zatrzymanie oryginalnego opakowania. Jeśli konieczne będzie dostarczenie teleskopu w inne miejsce, opakowanie przystosowane do transportu pomoże chronić teleskop przed ewentualnymi uszkodzeniami. Należy dokładnie sprawdzić zawartość opakowania, ponieważ niektóre części są małe. Aby zapobiec zginaniu i chwianiu się poszczególnych elementów, należy dokładnie dokręcić śruby, uważając jednak, by ich nie przekręcić, bowiem mogłoby to spowodować zerwanie gwintów.

Podczas montażu (i w dowolnym momencie) nie dotykaj palcami powierzchni elementów optycznych. Powierzchnie optyczne posiadają delikatne powłoki, które mogą zostać łatwo uszkodzone w wyniku dotknięcia. Nie wyjmować soczewek lub lusterek z obudów; niespełnienie tego warunku powoduje unieważnienie gwarancji produktu.

Zespół montażu

- U dołu tubusu jest płytka montażowa z gwintowanym otworem. Należy ją wyrównać ze śrubą mocującą statyw.
- Wkręć śrubę mocującą statyw do otworu w płytce mocującej tubusu, aby zamocować tubus teleskopu.
- Nie należy dokręcać zbyt silnie, aby nie zerwać gwintu śruby.

Montaż i wyrównywanie lunety nastawczej

Odkręcić dwie śruby w tylnej części tubusu teleskopu. Umieścić podstawę lunety nastawczej nad otworami w tubusie. Zamocować lunetę nastawczą we właściwym ustawieniu, dokręcając śruby.

Luneta nastawcza to niezwykle przydatne akcesorium. Jej prawidłowe wyrównanie względem teleskopu pozwala na szybkie lokalizowanie obiektów i ustawianie ich na środku pola widzenia. Wyrównywanie najlepiej przeprowadzać na zewnątrz w ciągu dnia, kiedy lokalizowanie obiektów jest łatwiejsze. W pierwszej kolejności należy ponownie ustawić ostrość obrazu w lunecie nastawczej (jeżeli to konieczne).

Aby wyrównać lunetę nastawczą, wybrać obiekt w odległości co najmniej 500 m i skierować na niego teleskop. Wyregulować teleskop w taki sposób, aby obiekt znalazł się pośrodku pola widzenia okularu. Spojrzeć przez lunetę nastawczą i sprawdzić, czy obiekt ten znajduje się również na środku jej krzyżyka. Aby ustawić krzyżyk lunety nastawczej, należy obracać trzy śruby regulacyjne.

Akcesoria optyczne

Poluzuj śrubę radelkowaną wyciągu. Wsuń lustro diagonalne do tubusu wyciągu i dokręć śrubę radelkowaną, aby zamocować lustro diagonalne. Następnie wsuń odpowiedni okular do lustra diagonalnego i zamocuj go, dokręcając śrubę radelkowaną.

Ustawianie ostrości

Powoli obrócić pokrętła regulacyjne aż do wyostrenia obrazu w okularze. Ze względu na niewielkie wahania temperatury, wygięcia itp. zazwyczaj należy nieznacznie regulować ostrość obrazu.

Obsługa montażu

Montaż AZ to montaż elewacyjno-azymutalny umożliwiający obracanie teleskopu w płaszczyznach pionowej i poziomej oraz zmianę jego wysokości i azymutu. Ze względu na ruch Ziemi obiekty będą nieustannie przesuwać się i znikać z pola widzenia, do kontynuowania obserwacji konieczne więc będzie regulowanie ustawienia teleskopu w pionie i w poziomie.

Zawartość zestawu: teleskop, okulary 5 mm i 10 mm, tubus ogniskujący 2x, lustro diagonalne, statyw 650–1150 mm.

Lornetka

Regulacja rozstawu źrenic

Przyłóż obydwójce oczu do okularów lornetki. Aby wyregulować rozstaw źrenic, zmieniaj kąt między elementami lornetki (względem osi środkowej), aż obrazy połączą się w jeden okrąg. Zapamiętaj ustawienie na przyszłość.

Regulacja ostrości

- Obserwuj przez lornetkę oddalony obiekt;
- Zamknij prawe oko i obracaj centralne koło ustawiania ostrości, aż obraz będzie ostry.

Zawartość zestawu: lornetka, futerał, ściereczka do czyszczenia, pasek.

Dane techniczne

Mikroskop

Materiał układu optycznego	polimerowe szkło optyczne
Głowica	monokularowa
Okulary	10x
Obrotowa głowica	3 obiektywy: 15x, 45x, 90x
Powiększenie, x	150–900
Oświetlenie	LED, lustro
Zasilanie	2 baterie AA

Teleskop

Konstrukcja optyczna	refractor
Materiał układu optycznego	szkło optyczne
Maksymalne powiększenie, x	100
Apertura, mm	50
Ogniskowa, mm	600
Liczba przysłony	f/12
Okulary	10 mm (60x), 5 mm (120x)
Luneta nastawcza	2x, optyczna
Statyw	aluminiowy, 650–1150 mm
Montaż	azymut (AZ)

Lornetka

Powiększenie, x	4
Materiał układu optycznego	szkło optyczne
Powłoka soczewek	pełna, wielowarstwowa powłoka
Średnica soczewki obiektywowej, mm	30
Musze oczne	guma
Centralne ustawianie ostrości	+

Levenhuk zastrzega sobie prawo do modyfikowania lub zakończenia produkcji dowolnego produktu bez wcześniejszego powiadomienia.

Instrukcje dotyczące bezpiecznego obchodzenia się z bateriami

- Należy używać baterii odpowiedniego typu i w odpowiednim rozmiarze.
- Należy wymieniać wszystkie baterie jednocześnie; nie należy łączyć starych i nowych baterii ani baterii różnych typów.
- Przed włożeniem baterii należy wyczyścić styki baterii i urządzenia.
- Podczas wkładania baterii należy zwracać uwagę na ich bieguny (znaki + i -).
- Jeśli sprzęt nie będzie używany przez dłuższy czas, należy wyjąć baterie.
- Zużyte baterie należy natychmiast wyjąć.
- Nie doprowadzać do zwarcia baterii, ponieważ wiąże się to z ryzykiem powstania wysokich temperatur, wycieku lub wybuchu.
- Nie ogrzewać baterii w celu przedłużenia czasu ich działania.
- Nie demontuj baterii.
- Należy pamiętać o wyłączeniu urządzenia po zakończeniu użytkowania.
- Baterie przechowywać w miejscu niedostępnym dla dzieci, aby uniknąć ryzyka połknięcia, uduszenia lub zatrucia.
- Zużyte baterie należy utylizować zgodnie z obowiązującymi lokalnie przepisami.

Gwarancja Levenhuk

Produkty optyczne Levenhuk mają **2-letnią gwarancję** na wady materiałowe i wykonawcze. Wszystkie akcesoria Levenhuk są wolne od wad materiałowych oraz wykonawczych i pozostaną takie przez **2 lata** od daty zakupu detalicznego.

Levenhuk naprawi lub wymieni produkt w dowolnym kraju, w którym Levenhuk posiada swój oddział, o ile spełnione będą warunki gwarancji.

Więcej informacji na ten temat podano na stronie: www.levenhuk.pl/gwarancja

W przypadku wątpliwości związanych z gwarancją lub korzystaniem z produktu, proszę skontaktować się z lokalnym przedstawicielem Levenhuk.

Utilização geral

Leia as instruções cuidadosamente antes de começar a utilizar os dispositivos. O kit Discovery Scope Set 3 é seguro para a saúde, a vida e a propriedade do consumidor e do ambiente quando utilizados adequadamente e cumprem os requisitos das normas internacionais. O microscópio Discovery Scope Set 3 foi concebido para observar objetos transparentes na luz transmitida utilizando o método de campo brilhante. O telescópio Discovery Scope Set 3 é um telescópio de nível de entrada fácil de usar, perfeito para crianças e iniciantes em astronomia. Os binóculos Discovery Scope Set 3 são perfeitamente adequados para observações tanto na cidade como no campo.

Cuidado e manutenção

- **Nunca, em qualquer circunstância, olhe diretamente para o sol, para outra fonte de luz intensa ou para um laser através deste dispositivo sem um filtro especial, pois isso pode causar DANOS PERMANENTES NA RETINA e levar à CEGUEIRA.**
- Pare de usar o dispositivo se a lente ficar embaciada. Não limpe a lente! Remova a humidade com um secador de cabelo ou aponte o telescópio para baixo até que a humidade se evapore naturalmente.
- Não toque nas superfícies óticas com os dedos. Limpe a superfície da lente com ar comprimido ou um pano de limpeza suave para lentes. Para limpar o exterior do dispositivo, use apenas os toalhetes de limpeza especiais e as ferramentas especiais recomendadas para limpeza dos elementos óticos.
- Quando não estiver a usar o telescópio, recoloque a tampa antipoeira na extremidade frontal do telescópio. Coloque sempre as oculares nos seus estojos de proteção e cubra-as com as suas tampas. Deste modo, impede que poeiras ou sujidades se acumulem nas superfícies do espelho ou da lente.
- Lubrifique os componentes mecânicos com peças de ligação em metal e plástico. Componentes a lubrificar:
 - Tubo ótico;
 - Mecânica fina (calha do focador, microfocador do tubo ótico do telescópio);
 - Montagem;
 - Pares de parafusos sem-fim, rolamentos, rodas dentadas, engrenagens de montagem roscadas.

Utilize massas lubrificantes à base de silicone para todos os fins com um intervalo de temperatura de funcionamento de $-60 \dots +180 \text{ }^\circ\text{C}$.

- Após desembalar o microscópio e antes de utilizá-lo pela primeira vez, verifique a integridade e a durabilidade de todos os componentes e ligações.
- Proteja o dispositivo de impactos súbitos e de força mecânica excessiva. Não aplique pressão excessiva quando estiver ajustando o foco. Não aperte demasiado os parafusos de bloqueio.
- Partículas abrasivas, como areia, não devem ser removidas com um pano. Em vez disso, sobre-as, ou retire-as com um pincel suave.
- Não use o dispositivo por períodos de tempo muito longos, nem o deixe abandonado sob a luz direta do Sol. Mantenha longe de água e alta humidade.
- Tenha cuidado durante as suas observações, substitua sempre a capa protetora antipoeira quando concluir as observações de modo a proteger o equipamento contra poeiras e manchas.
- Se não utilizar o microscópio durante muito tempo, guarde as objetivas e os oculares separadamente do microscópio.
- Não tente desmontar o dispositivo por conta própria, por qualquer motivo. Para fazer reparações e limpezas de qualquer tipo, entre em contacto com o centro local de serviços especializados.
- Guarde o dispositivo num local seco e fresco, longe de ácidos perigosos e outros produtos químicos, de aquecedores, de fogo e de outras fontes de altas temperaturas.
- Se uma parte do dispositivo ou a bateria for engolida, procure imediatamente assistência médica.
- **As crianças só devem usar o telescópio sob a supervisão de um adulto.**

ATENÇÃO! PERIGO DE ASFIXIA! Estes dispositivos incluem peças pequenas. O microscópio, o telescópio e os binóculos foram concebidos para crianças com mais de 5 anos de idade e devem ser utilizados apenas sob supervisão de adultos.

Microscópio

Utilização do microscópio

Iniciar

- Retire o microscópio da embalagem e certifique-se de que todas as peças estão disponíveis.
- Certifique-se de que as pilhas estão corretamente inseridas no respetivo compartimento; se necessário, coloque pilhas novas.
- Coloque o microscópio numa superfície nivelada e ligue a luz. Pode usar o microscópio sem luz, utilizando um espelho. Coloque-o junto de uma fonte de luz brilhante (uma janela ou um candeeiro de mesa). Vire o espelho para a fonte de luz – um foco de luz brilhante será visto na ocular.

Foco

- Coloque um espécime na área de inserção do vidro e fixe-o com os suportes para espécimes.
- Inicie as suas observações com a objetiva de ampliação mais baixa e selecione um segmento da amostra para um exame detalhado. Em seguida, mova a amostra para centrar o segmento selecionado no campo de visão, para se certificar de que este se mantém centrado quando muda a objetiva para uma ampliação superior. Assim que o segmento estiver selecionado, deve centrar a imagem no campo de visão do microscópio com a máxima precisão possível. Caso contrário, o segmento pretendido pode ficar desalinhado com o centro no campo da visão da objetiva de ampliação superior. Agora pode mudar para uma objetiva mais potente, rodando o revólver giratório. Se necessário, ajuste o foco da imagem.
- Mova o espécime para colocar a sua parte mais espessa precisamente sob a objetiva.
- Para ajustar a nitidez, rode o botão de focagem até ver uma imagem nítida. **Atenção!** A objetiva não deve tocar no espécime, caso contrário a objetiva e/ou o espécime podem ficar danificados.

O kit de microscópio inclui: microscópio, ocular 10x, lâmpada sobressalente, frasco vazio (3), lâminas e lamínulas (3 cada), etiquetas adesivas para lâminas (3), ferramentas plásticas (bisturi, pipeta, espátula, fórceps, agulha de dissecação).

ATENÇÃO! Nunca vire o espelho para o sol, porque corre o risco de sofrer lesões oculares e até mesmo cegueira.

Telescópio

ATENÇÃO! Nunca olhe diretamente para o sol – nem mesmo durante um breve instante – através do telescópio ou do buscador sem um filtro solar de fabrico profissional que cubra a parte frontal do instrumento. Caso contrário, poderá sofrer danos oculares permanentes. Para evitar danificar as peças internas do seu telescópio, certifique-se de que a parte frontal do buscador está coberta com folha de alumínio ou qualquer outro material não transparente. As crianças só devem utilizar o telescópio sob supervisão de um adulto.

Todas as peças do telescópio serão entregues numa caixa. Tenha especial cuidado ao abrir a embalagem. Recomendamos que guarde as embalagens de envio originais. Caso o telescópio tenha de ser enviado para outra localização, ter as embalagens de transporte adequadas irá ajudar a garantir que o seu telescópio sobrevive à viagem intacto. Certifique-se de que inspeciona a caixa cuidadosamente, uma vez que algumas partes são muito pequenas. Todos os parafusos devem ser apertados de forma segura para eliminar qualquer movimento, mas tenha cuidado para não os apertar em demasia, uma vez que poderá danificar os sulcos roscados.

Durante a montagem (e, para todos os efeitos, em qualquer altura), não toque nas superfícies dos elementos óticos com os dedos. As superfícies óticas contêm materiais de revestimento delicados, os quais podem ficar danificados em caso de contacto direto. Nunca remova lentes ou espelhos da respetiva estrutura, caso contrário a garantia do produto será considerada nula.

Junção da montagem

- Na parte inferior do tubo existe uma placa de montagem com um orifício roscado. Alinhe-o com o parafuso de fixação do tripé.
- Para fixar o tubo do telescópio, introduza o parafuso de fixação do tripé no orifício da placa de montagem do tubo e aperte.
- Não aperte demasiado o parafuso, porque pode danificar acidentalmente a rosca.

Montagem e alinhamento do apontador ótico

Desaperte os dois parafusos na parte de trás do tubo do telescópio. Coloque a base do apontador acima dos furos no tubo. Fixe a base do apontador no seu devido lugar apertando os parafusos.

Os apontadores óticos são acessórios muito úteis. Quando estão corretamente alinhados com o telescópio, os objetos podem ser rapidamente localizados e direcionados para o centro da mira. Rode a extremidade do apontador para dentro e para fora para ajustar o foco.

Para alinhar o apontador, escolha um objeto que esteja a uma distância de pelo menos 500 metros e aponte o telescópio para o objeto. Ajuste o telescópio de modo a colocar o objeto no centro da mira da ocular. Verifique o apontador para ver se o objeto também está centrado na mira. Use três parafusos de ajuste para centrar a mira do apontador no objeto.

Montagem dos acessórios óticos

Desaperte o parafuso do focador. Insira o espelho diagonal no tubo de focagem e aperte novamente o parafuso para bloquear o espelho diagonal na sua posição. Em seguida, insira a ocular pretendida no espelho diagonal e fixe-a apertando o parafuso.

Foco

Rode lentamente os botões de foco em uma direção ou outra até que a imagem observada na ocular seja nítida. Com o tempo, pode ser necessário focar novamente a imagem utilizando o ajuste de precisão, devido a variações minúsculas causadas por alterações de temperatura, torções, etc.

Operação da montagem

A montagem AZ é uma montagem altazimute que lhe permite rodar o telescópio sobre os eixos verticais e horizontais e alterar a sua altitude e azimute. Devido ao movimento da Terra, os objetos irão movimentar-se constantemente para fora do seu ângulo de visão, por isso, terá de ajustar a altitude e o azimute do seu telescópio para continuar as suas observações.

O kit de telescópio inclui: telescópio, oculares de 5 mm e 10 mm, localizador ótico 2x, espelho diagonal, tripé de alumínio de 650–1150 mm.

Binóculos

Ajuste de distância interpupilar

Olhe através das oculares dos binóculos com ambos os olhos. Para ajustar a distância interpupilar, varie o ângulo entre as duas partes dos binóculos (em relação ao seu eixo central) até a imagem se unir num único círculo. Lembre-se desta definição para utilização futura.

Ajuste do foco

- Olhe através dos binóculos para um objeto distante;
- Feche o olho direito e rode a roda de foco central até que o objeto observado esteja focado.

O kit de binóculos inclui: binóculos, bolsa, pano de limpeza, correia.

Especificações

Microscópio

Material ótico	polímero de vidro ótico
Cabeça	monocular
Oculares	10x
Revólver giratório	3 objetivas: 15x, 45x, 90x
Ampliação, x	150–900
Iluminação	LED, espelho
Fonte de alimentação	2 AA batteries

Telescópio

Estrutura ótica	refractor
Material ótico	vidro ótico
Ampliação máxima prática, x	100
Abertura, mm	50
Distância focal, mm	600
Abertura focal	f/12

Oculares	10 mm (60x), 5 mm (120x)
Buscador	2x, óptico
Tripé	alumínio, 650–1150 mm
Montagem	azimute (AZ)

Binóculos

Ampliação, x	4
Material ótico	vidro ótico
Revestimento ótico	revestimento integral
Diâmetro das lentes objetivas (abertura), mm	30
Oculares	borracha
Ajuste de foco central	+

O fabricante se reserva no direito de fazer alterações na variedade e nas especificações dos produtos sem notificação prévia.

Instruções de segurança da bateria

- Compre sempre baterias do tamanho e grau mais adequados para o uso pretendido.
- Substitua sempre o conjunto de baterias de uma só vez; tome cuidado para não misturar baterias antigas com novas, ou baterias de tipos diferentes.
- Limpe os contactos da bateria, e também os do dispositivo, antes da instalação da bateria.
- Certifique-se de que as baterias estão instaladas corretamente no que respeita à sua polaridade (+ e -).
- Remova as baterias do equipamento se este não for ser usado por um período prolongado de tempo.
- Remova as baterias usadas prontamente.
- Nunca coloque as baterias em curto-circuito, pois isso pode causar altas temperaturas, derrame ou explosão.
- Nunca aqueça as baterias com o intuito de as reanimar.
- Não desmonte as baterias.
- Lembre-se de desligar os dispositivos após a utilização.
- Mantenha as baterias fora do alcance das crianças, para evitar o risco de ingestão, sufocação ou envenenamento.
- Use as baterias da forma prescrita pelas leis do seu país.

Garantia Levenhuk

Os produtos ópticos Levenhuk estão abrangidos por uma **garantia de 2 anos** contra defeitos de material e de fabrico. Todos os acessórios Levenhuk têm a garantia de isenção de defeitos de material e de fabrico durante **2 anos** a partir da data de compra a retalho.

A garantia inclui o direito à reparação ou substituição gratuita do produto Levenhuk em qualquer país que tenha uma filial da Levenhuk, caso estejam reunidas todas as condições da garantia.

Para mais detalhes, visite o nosso web site: www.levenhuk.eu/warranty

Se surgirem problemas relacionados à garantia ou se for necessária assistência no uso do produto, contate a filial local da Levenhuk.

Общие сведения

Внимательно прочитайте инструкцию, прежде чем приступать к работе с приборами. Набор Discovery Scope Set 3 безопасен для здоровья, жизни, имущества потребителя и окружающей среды при правильной эксплуатации и соответствует требованиям международных стандартов. Микроскоп Discovery Scope Set 3 предназначен для наблюдения препаратов в проходящем свете. Телескоп Discovery Scope Set 3 с простым управлением идеально подойдет для начинающих астрономов и детей. Бинокль Discovery Scope Set 3 предназначен для использования как на открытом воздухе и на природе, так и в черте города.

Уход и хранение

- **Никогда не смотрите в прибор на Солнце или область рядом с ним без специального фильтра, а также на другой источник яркого света или лазерного излучения. ЭТО ОПАСНО ДЛЯ ЗРЕНИЯ И МОЖЕТ ПРИВЕСТИ К СЛЕПОТЕ!**
 - В случае запотевания объектива прекратите наблюдения. Не протирайте объектив! Удалите влагу с помощью фена или, направив телескоп вниз, дождитесь естественного испарения влаги.
 - Не касайтесь пальцами поверхностей линз. Очищайте поверхность линз сжатым воздухом или мягкой салфеткой для чистки оптики. Для внешней очистки прибора используйте специальную салфетку и специальные чистящие средства, рекомендованные для чистки оптики.
 - Когда прибор не используется, всегда надевайте на него пылезащитную крышку. Всегда убирайте окуляры в защитные футляры и закрывайте их крышками. Это защищает поверхность линз и зеркал от попадания пыли и грязи.
 - Узлы механики с металлическими и пластмассовыми деталями сопряжения необходимо смазывать. Узлы, обязательные для смазки:
 - труба оптическая;
 - точная механика: рейка фокусера, микрофокусер оптических труб телескопов;
 - монтировка;
 - червячные пары, подшипники, шестерни и резьбовые передаточные механизмы монтировок.
- Используйте универсальные смазки на основе силикона с диапазоном рабочих температур $-60 \dots +180 \text{ }^\circ\text{C}$.
- После вскрытия упаковки и установки микроскопа проверьте каждый компонент.
 - Оберегайте прибор от резких ударов и чрезмерных механических воздействий. Не прикладывайте чрезмерных усилий при настройке фокуса. Не затягивайте стопорные и фиксирующие винты слишком туго.
 - Абразивные частицы (например, песок) следует не стирать, а сдувать или смахивать мягкой кисточкой.
 - Не подвергайте прибор длительному воздействию прямых солнечных лучей. Не используйте прибор в условиях повышенной влажности и не погружайте его в воду.
 - Работайте с микроскопом аккуратно, надевайте на него пылезащитный чехол после работы, чтобы защитить его от пыли и масляных пятен.
 - Если объективы и окуляры не используются долгое время, храните их упакованными в сухую коробку, отдельно от микроскопа.
 - Не разбирайте прибор. Сервисные и ремонтные работы могут проводиться только в специализированном сервисном центре.
 - Храните прибор в сухом прохладном месте, недоступном для воздействия кислот или других активных химических веществ, вдали от отопителей (бытовых, автомобильных) и от открытого огня и других источников высоких температур.
 - Если деталь прибора или элемент питания были проглочены, срочно обратитесь за медицинской помощью.
 - **Дети могут пользоваться прибором только под присмотром взрослых.**

ВНИМАНИЕ! ОПАСНОСТЬ УДУШЬЯ. В этих приборах есть мелкие детали. Микроскоп, телескоп и бинокль предназначены для детей не младше 5 лет. Работать с ними можно только под присмотром взрослых.

Микроскоп

Использование микроскопа

Подготовка микроскопа к работе

- Освободите микроскоп от упаковки и проверьте комплектность.
- Проверьте, установлены ли батарейки (батарейный отсек находится в основании микроскопа), и при необходимости поставьте их.
- Поставьте микроскоп на ровную поверхность и включите подсветку. Микроскоп также можно использовать без подсветки, используя зеркало. Расположите его рядом с источником яркого света (окном или настольной лампой). Поверните зеркало к источнику света — в окуляре должно быть видно яркое пятно света.

Фокусировка на объект

- Поместите препарат на предметный столик, закрепите его зажимами.
- Начинайте исследования с объективом наименьшего увеличения; с его помощью выберите участок для более подробного изучения. Затем переместите препарат так, чтобы выбранный участок попал в центр поля зрения микроскопа; если этого не сделать, нужный участок может выпасть из поля зрения более сильного объектива при смене увеличений. Теперь можно поменять объектив на более сильный, повернув револьверное устройство. При необходимости подстройте фокусировку.
- Перемещая препарат вручную, подведите под объектив самый плотный участок препарата.
- Настройте резкость, вращая ручку фокусировки, пока не увидите четкое изображение. **Внимание!** Объектив не должен задевать препарат, иначе можно повредить и препарат, и объектив.

Комплектация: микроскоп, окуляр 10х, запасная лампочка; пустой флакончик (3 шт.), предметные и покровные стекла (по 3 шт.), наклейки для стекол (3 шт.); инструменты для работы (пластиковые): скальпель, пипетка, лопатка, пинцет, препаровальная игла.

ВНИМАНИЕ! Никогда не направляйте зеркало на Солнце, так как это опасно для зрения и может вызвать слепоту.

Телескоп

ВНИМАНИЕ! Во избежание повреждения глаз никогда, даже на мгновение, не смотрите на Солнце в телескоп или искатель без профессионального солнечного апертурного фильтра, закрывающего переднюю часть прибора. При этом лицевая часть искателя должна быть закрыта алюминиевой фольгой или другим непрозрачным материалом для предотвращения повреждения внутренних частей телескопа. Дети могут пользоваться телескопом только под присмотром взрослых.

Все части телескопа поставляются в одной коробке. Распаковывая телескоп, будьте аккуратны и осторожны. Рекомендуем сохранить упаковку: использование оригинальной упаковки во время перевозки гарантирует целостность и сохранность инструмента. Внимательно осмотрите коробку, так как некоторые детали имеют малые размеры и могут затеряться. Во время сборки телескопа все винты должны быть надежно затянуты для исключения колебаний. **ВНИМАНИЕ! НЕ ПЕРЕТЯНИТЕ ВИНТЫ, ЧТОБЫ НЕ СОРВАТЬ РЕЗЬБУ!**

В процессе сборки и во время использования телескопа **НЕ КАСАЙТЕСЬ** пальцами линз телескопа, искателя или окуляра. Оптические поверхности имеют тонкое покрытие, которое легко повредить при касании. **НЕ ВЫНИМАЙТЕ** линзы и зеркала из корпусов, так как это аннулирует гарантийное соглашение.

Установка монтировки

- На нижней части трубы есть крепежная площадка с отверстием под резьбу. Совместите ее с винтом крепления на треноге.
- Вкрутите винт крепления треноги в отверстие на крепежной площадке трубы для фиксации трубы телескопа.
- Не затягивайте соединение слишком туго, чтобы не повредить резьбу.

Установка и настройка оптического искателя

Выкрутите два рифленых винта из отверстий в трубе телескопа; установите искатель над отверстиями и закрепите его двумя рифлеными винтами. Оптические искатели, закрепляемые на оптической трубе, — очень полезные приспособления. Когда они правильно настроены, объекты легко находить и удерживать в центре поля зрения. Вращайте переднюю часть искателя, пока не получите четкий фокус. Выберите удаленный объект на расстоянии не менее 500 метров от вас и нацельте на него телескоп. Отрегулируйте телескоп так, чтобы объект попал в центр поля зрения окуляра. Убедитесь, что объект, центрированный в трубе телескопа, находится в

центре визирной сетки искателя. Используя три юстировочных винта, центрируйте визирную сетку искателя на объекте.

Установка оптических аксессуаров

Ослабьте фиксатор диагонального зеркала на тубусе фокусера, вставьте диагональное зеркало в тубус и затяните фиксатор, чтобы зафиксировать диагональное зеркало. Затем ослабьте фиксатор диагонального зеркала с помощью стопорных винтов; вставьте необходимый окуляр в диагональное зеркало и зафиксируйте его, затянув стопорный винт.

Фокусировка

Медленно поворачивайте ручки фокусировки, пока изображение в окуляре не станет четким. Время от времени приходится заново фокусировать изображение, так как изменения температуры, состояния атмосферы и прочих условий влияют на фокус.

Монтировка и наведение телескопа

Монтировка AZ — альт-азимутальная монтировка, позволяющая перемещать трубу телескопа по высоте (вверх-вниз) и азимуту (влево-вправо). Поскольку Земля вращается, объекты будут постоянно уходить из поля зрения окуляра. Поэтому вам нужно постоянно подводить телескоп как по высоте, так и по азимуту, чтобы удерживать объект в поле зрения.

Комплектация: телескоп, окуляры 5 мм и 10 мм, оптический искатель 2х, диагональное зеркало, алюминиевая тренога 650–1150 мм.

Бинокль

Регулировка межзрачкового расстояния

Смотрите в бинокль обоими глазами. Для регулировки межзрачкового расстояния складывайте или разводите половинки бинокля (относительно его центральной оси) до тех пор, пока изображение в бинокле не сольется в единую окружность. Запомните настройку для использования в дальнейшем.

Фокусировка

- Посмотрите в бинокль на удаленный объект.
- Закройте правый глаз и вращайте колесо фокусировки, пока предмет наблюдения не будет виден четко.

Комплектация: бинокль, мягкий чехол, салфетка для оптики, тонкий ремешок.

Технические характеристики

Микроскоп

Материал оптики	полимерное оптическое стекло
Окулярная насадка	монокулярная
Окуляры	10х
Револьверное устройство	3 объектива: 15х, 45х, 90х
Увеличение, крат	150–900
Подсветка	светодиодная, зеркало
Питание	2 батарейки типа АА

Телескоп

Оптическая схема	рефрактор
Материал оптики	оптическое стекло
Максимальное полезное увеличение, крат	100
Апертура, мм	50
Фокусное расстояние, мм	600
Светосила (относительное отверстие)	f/12
Окуляры	10 мм (60х), 5 мм (120х)
Искатель	оптический, 2х

Тренога	алюминий, 650–1150 мм
Монтировка	AZ

Бинокль

Увеличение, крат	4
Материал оптики	оптическое стекло
Покрытие линз	полное
Диаметр объектива (апертура), мм	30
Наглазники	резина
Центральная фокусировка	+

Производитель оставляет за собой право вносить любые изменения или прекращать производство изделия без предварительного уведомления.

Использование элементов питания

- Всегда используйте элементы питания подходящего размера и соответствующего типа.
- При необходимости замены элементов питания меняйте сразу весь комплект, не смешивайте старые и новые элементы питания и не используйте элементы питания разных типов одновременно.
- Перед установкой элементов питания очистите контакты элементов и контакты в корпусе прибора.
- Устанавливайте элементы питания в соответствии с указанной полярностью (+ и -).
- Если прибор не используется длительное время, следует вынуть из него элементы питания.
- Оперативно вынимайте из прибора использованные элементы питания.
- Никогда не закорачивайте полюса элементов питания – это может привести к их перегреву, протечке или взрыву.
- Не пытайтесь нагревать элементы питания, чтобы восстановить их работоспособность.
- Не разбирайте элементы питания.
- Выключайте прибор после использования.
- Храните элементы питания в недоступном для детей месте, чтобы избежать риска их проглатывания, удушья или отравления.
- Утилизируйте использованные батарейки в соответствии с предписаниями закона.

Гарантия Levenhuk

Компания Levenhuk гарантирует отсутствие дефектов в материалах конструкции и дефектов изготовления изделий. Продавец гарантирует соответствие качества приобретенных вами изделий компании Levenhuk требованиям технической документации при соблюдении потребителем условий и правил транспортировки, хранения и эксплуатации изделия. Срок гарантии: на аксессуары – **6 (шесть) месяцев** со дня покупки, на остальные изделия гарантия действует **2 (два) года**. Гарантия позволяет бесплатно отремонтировать или обменять продукт Levenhuk, подпадающий под условия гарантии, в любой стране, где есть офис Levenhuk. Подробнее об условиях гарантийного обслуживания см. на сайте www.levenhuk.ru/support

По вопросам гарантийного обслуживания вы можете обратиться в ближайшее представительство компании Levenhuk.

Genel kullanım

Cihazları kullanmaya başlamadan önce talimatları dikkatli bir şekilde okuyun. Discovery Scope Set 3 doğru şekilde kullanıldığında tüketicinin sağlığı, yaşamı ve eşyaları ve doğal çevre için güvenlidir, uluslararası standartları karşılamaktadır. Discovery Scope Set 3 Mikroskop parlak alan yöntemi kullanılarak aktarılan ışıktaki şeffaf cisimleri gözlemlemek için tasarlanmıştır. Discovery Scope Set 3 Teleskobu çocuklar ve astronomiye yeni başlayanlar için mükemmel kullanımı kolay giriş seviyesi bir teleskoptur. Discovery Scope Set 3 Dürbün hem şehirde hem de kırsalda gözlem yapmak için son derece uygundur.

Bakım ve onarım

- Bu cihazla özel bir filtre olmadan asla, hiçbir koşulda direkt olarak Güneşe veya farklı bir parlak ışık kaynağına bakmayın, aksi takdirde **KALICI RETİNA HASARINA** ve **KÖRLÜĞE** yol açabilir.
- Lens buğulanırsa cihazı kullanmayı bırakın. Lensi silmeyin! Bir saç kurutucusu ile veya nem doğal olarak buharlaşana kadar teleskobu baş aşağı tutarak nemi giderin.
- Optik yüzeylere parmaklarınızla dokunmayın. Lens yüzeyini, basınçlı hava veya yumuşak bir lens temizleme bezi ile temizleyin. Cihazın dışını temizlemek için, yalnızca optik parçaları temizlemek için önerilen özel temizleme bezleri ve özel aletler kullanın.
- Teleskobun kullanılmadığı tüm zamanlarda toz kapağını teleskobun ön ucuna takın. Her zaman mercekleri koruyucu kutularına koyun ve kapaklarını kapatın. Bu, ayna veya lens yüzeyinde toz veya kir birikmesini önler.
- Metal ve plastik bağlantı parçaları mekanik bileşenleri yağlayın. Yağlanacak bileşenler:
 - Optik tüp;
 - İnce mekanik parçalar (odaklayıcı hattı, teleskop optik tüp mikro odaklayıcı);
 - Montaj;
 - Sonsuz dişliden oluşan çiftler, yataklar, dişli çarklar, dişli montaj donanımları.
- Çok amaçlı silikon bazlı yağları $-60 \dots +180$ °C çalışma sıcaklığı aralığında kullanın.
- Mikroskopunuzu ambalajından çıkardıktan sonra ve ilk defa kullanmadan önce, her bileşenin ve bağlantının sağlamlığını ve dayanıklılığını kontrol edin.
- Cihazı ani darbelere ve aşırı mekanik güçlere karşı koruyun. Odağı ayarlarken aşırı basınç uygulamayın. Kitleme vidalarını aşırı sıkmayın.
- Kum gibi aşındırıcı parçacıklar lenslerden silerek temizlenmemeli, bunun yerine üflenmeli veya yumuşak bir fırça ile fırçalanmalıdır.
- Cihazı uzun süre kullanmayın veya doğrudan güneş ışığında gözetimsiz bırakmayın. Cihazı su ve yüksek nemden uzak tutun.
- İncelemeleriniz sırasında dikkatli olun, cihazı toz ve lekelerden korumak için incelemelerinizi bitirdikten sonra toz kapağını daima yenisiyle değiştirin.
- Mikroskopunuzu uzun süre kullanmıyorsanız, objektif lensleri ve göz merceklelerini mikroskoptan ayrı olarak saklayın.
- Cihazı herhangi bir sebep için kendi başınıza sökmeye çalışmayın. Her tür onarım ve temizlik için lütfen yerel uzman servis merkeziniz ile iletişime geçin.
- Cihazı; tehlikeli asitler ve diğer kimyasallardan, ısıtıcılardan, açık ateşten ve diğer yüksek sıcaklık kaynaklarından uzakta kuru, serin bir yerde saklayın.
- Cihaz veya pilin bir parçası yutulduğu takdirde, hemen tıbbi yardım alınmalıdır.
- **Çocuklar cihazı yalnızca yetişkin gözetiminde kullanabilir.**

DİKKAT! BOĞULMA TEHLİKESİ! Bu cihazlar küçük parçalar içermektedir. Mikroskop, teleskop ve dürbün 5 yaşın üzerindeki çocuklar için tasarlanmıştır ve yalnızca yetişkin gözetimi altında kullanılmaları gerekir.

Mikroskop

Mikroskopun kullanımı

Başlarken

- Mikroskopu ambalajından çıkarın ve tüm parçaların mevcut olduğundan emin olun.
- Pillerin pil bölmesine doğru şekilde takıldığından emin olun; gerekirse yeni piller takın.
- Mikroskopu düz bir yüzeye yerleştirin ve ışığı açın. Mikroskopu bir ayna ile ışısız kullanabilirsiniz. Parlak ışık

kaynağının (pencere ya da masa lambası) yakınına yerleştirin. Aynayı ışık kaynağına çevirin – Göz merceğinde parlak bir ışık noktası görülmelidir.

Odaklama

- Nesne tablasına bir numune yerleştirin ve tutucularla sabitleyin.
- İncelemelerinize en düşük büyütme objektifi ile başlayın ve ayrıntılı araştırma için bir numune segmenti seçin. Ardından, objektif daha güçlü bir objektife değiştirildiğinde merkezde kalmasını sağlamak için, numuneyi görüş alanında seçilen segmenti ortalayacak şekilde hareket ettirin. Segment seçildikten sonra, görüntüsünü mikroskobun görüş alanında olabildiğince tam olarak ortalamalısınız. Aksi takdirde, istenen segment daha yüksek güç objektifinin görüş alanında ortalanmayabilir. Artık döner burun parçasını döndürerek daha güçlü bir objektife geçiş yapabilirsiniz. Gerekirse görüntü odağını ayarlayın.
- Numuneyi, en kalın kısmını tam olarak objektifin altına yerleştirecek şekilde hareket ettirin.
- Odaklama kadranını net bir görüntü elde edene kadar çevirerek netliği ayarlayın. **Dikkat!** Objektif numuneye dokunmamalıdır, aksi takdirde objektif ve/veya numune zarar görebilir.

Mikroskop kiti şunları içermektedir: mikroskop, 10x göz merceği, yedek ampul, boş cam kap (3 adet), slaytlar ve kapak camları (her biri 3 adet), slayt yapışkanları (3 adet), plastik aletler (bisturi, pipet, spatula, pens, diseksiyon iğnesi).

DİKKAT! Görme yeteneğinizi bozabileceği hatta körlüğe neden olabileceği için kesinlikle aynayı doğrudan güneşe yöneltmeyin.

Teleskop

DİKKAT! Bir anlık dahi olsa Güneşe kesinlikle teleskopunuz veya bulucu dürbününüz aracılığıyla, cihazın önünü tamamen kapatan profesyonel olarak yapılmış bir güneş filtresi kullanmadan, doğrudan bakmayın; aksi takdirde kalıcı göz hasarı oluşabilir. Teleskopunuzun iç parçalarında hasar oluşmasını önlemek için bulucu dürbünün ön ucunun alüminyum folyo veya başka bir saydam olmayan malzeme ile kaplandığından emin olun. Çocuklar teleskopu yalnızca yetişkin gözetiminde kullanabilir.

Teleskopun tüm parçaları tek bir kutu içinde sunulacaktır. Ambalajı açarken dikkatli olun. Orijinal gönderimde kullanılan kutuları saklamanızı öneririz. Teleskopun başka bir konuma taşınması gerektiğinde uygun gönderim kutularının bulunması, teleskopunuzun bu yolculuğu zarar görmeden tamamlamasını sağlamaya yardımcı olacaktır. Bazı parçalar küçük olduğundan kutuyu dikkatlice kontrol ettiğinizden emin olun. Esneme ve sarkmanın önlenmesi için tüm vidalar sıkıca sıkılmalıdır ancak dişlere zarar verebileceğinden bunları aşırı sıkılamaya özen gösterin.

Montaj sırasında (ve bu bağlamda herhangi bir anda) optik bileşenlerin yüzeylerine parmaklarınızla dokunmayın. Optik yüzeylerde dokunulması halinde kolaylıkla zarar görebilecek hassas kaplamalar mevcuttur. Kesinlikle mercekleri veya aynaları muhafazalarından çıkarmayın; aksi takdirde ürün garantisiz ve hükümsüz olacaktır.

Kundak kurulumu

- Tüpün alt kısmında dişli delikli bir montaj plakası bulunur. Bunu tripodun sabitleme vidası ile hizalayın.
- Teleskop tüpünü sabitlemek için tripod sabitleme vidasını tüp montaj plakasındaki deliğe vidalayın.
- Vida dişine zarar verebileceğinizden vidayı aşırı sıkımayın.

Optik bulucu dürbün kurulumu ve hizalaması

Teleskop tüpünün arkasındaki iki vidayı gevşetin. Bulucu dürbün tabanını tüp deliklerinin üzerine yerleştirin. Vidaları sıkarak bulucu dürbün tabanını yerine sabitleyin.

Optik bulucu dürbünler oldukça kullanışlı aksesuarlardır. Bunlar teleskop ile doğru hizalandığında, nesnelere hızla bulunabilir ve görüntünün merkezine getirilebilir. Odağı ayarlamak için dürbün ucunu içeri ve dışarı doğru çevirin.

Bulucu dürbünü hizalamak için en az 500 metre uzaktaki bir nesneyi seçin ve teleskopu nesneye yöneltin. Teleskopu nesne göz merceğinin görüntüsünün ortasına gelecek şekilde ayarlayın. Nesnenin aynı zamanda artı göstergede de merkeze alındığından emin olmak için bulucu dürbünü kontrol edin. Bulucu dürbün artı göstergesini nesne üzerinde merkezlemek için üç ayar vidasını kullanın.

Optik aksesuarların kurulumu

Odaklayıcı parmak vidasını gevşetin. Diyagonal aynayı odaklayıcı tüpüne takın ve diyagonal aynayı yerinde tutmak için parmak vidayı yeniden sıkın. Daha sonra istenilen göz merceğini diyagonal aynaya yerleştirin ve parmak vidayı sıkarak sabitleyin.

Odaklama

Göz merceğindeki görüntü keskin bir hal alana kadar odak düğmelerini yavaşça bir yöne ya da diğerine çevirin. Sıcaklık değişiklikleri, bükülmeler vb. nedenlerle yaşanan küçük değişikliklerden dolayı zaman içerisinde görüntüde ince yeniden odaklama ayarı yapılması gerekir.

Kundağın çalıştırılması

AZ kundak, dikey ve yatay eksen çevresinde teleskopu döndürmenizi sağlayan bir altazimut kundaktır. Dünyanın hareketi nedeniyle nesnelere sürekli olarak görüşünüz içinde hareket edecek olduğundan gözlemlerinize devam etmek için teleskopunuzun yüksekliğini ve azimutunu düzenlemeniz gerekecektir.

Teleskop kiti şunları içermektedir: teleskop, 5 mm ve 10 mm göz mercekleri, 2x optik bulucu, köşegen ayna, 650–1150 mm alüminyum üç ayaklı sehpa.

Dürbün

Gözbebekleri arası mesafe ayarı

Her iki gözünüzle dürbün göz merceklerinden bakın. Gözbebekleri arası mesafeyi ayarlamak için görüntü tek bir daire içerisinde birleşene kadar dürbün bölümleri (merkezi eksenine göre) arasındaki açığı değiştirmeye devam edin. Bu ayarı sonraki kullanımlar için kaydedin.

Odaklama

- Dürbününüzden uzaktaki bir nesneye bakın;
- Sağ gözünüzü kapatın ve görüntü odaklanana kadar merkezi odaklama tekerini çevirin.

Dürbün kiti şunları içermektedir: dürbün, kılıf, temizleme bezi, kayış.

Teknik Özellikler

Mikroskop

Optik malzemesi	optik polimer cam
Kafa	tek gözlü
Göz merceği	10x
Döner burun parçası	3 objektif: 15x, 45x, 90x
Büyütme, x	150–900
Aydınlatma	LED, ayna
Güç kaynağı	2 AA pil

Teleskop

Optik tasarım	refraktör
Optik malzemesi	optik cam
En yüksek pratik güç, x	100
Açıklık, mm	50
Odak uzaklığı, mm	600
Odak oranı	f/12
Göz mercekleri	10 mm (60x), 5 mm (120x)
Bulucu dürbün	2x, optik
Üçayak	alüminyum, 650–1150 mm
Kundak	AZ

Dürbün

Büyütme, x	4
Optik malzemesi	optik cam
Optik parça kaplaması	tamamen kaplanmış
Objektif merceği çapı (açıklık), mm	30

Göz körükleri	rubber
Merkezi odaklama	+

Levenhuk, ürün serisinde ve teknik özelliklerinde önceden bildirimde bulunmaksızın değişiklik yapma hakkını saklı tutar.

Pil güvenliği talimatları

- Her zaman kullanım amacına en uygun olan boyut ve türden piller satın alın.
- Eski ve yeni piller ile farklı türlerden pilleri birbiriyle birlikte kullanmamaya özen göstererek pil setini her zaman tamamen değiştirin.
- Pilleri takmadan önce pil kontakları ile cihaz kontaklarını temizleyin.
- Pillerin kutuplar (+ ve -) açısından doğru bir biçimde takıldığından emin olun.
- Uzun süreyle kullanılmayacak ekipmanlardaki pilleri çıkarın.
- Kullanılmış pilleri derhal çıkarın.
- Aşırı ısınmaya, sızıntıya veya patlamaya neden olabileceğinden kesinlikle pillerde kısa devreye neden olmayın.
- Yeniden canlandırmak için kesinlikle pilleri ısıtmayın.
- Pilleri sökmeyin.
- Cihazı kullanım sonrasında kapatın.
- Yutma, boğulma veya zehirlenme riskini önlemek için pilleri çocukların erişemeyeceği bir yerde saklayın.
- Kullanılmış pilleri ülkenizin yasalarında belirtildiği şekilde değerlendirin.

Levenhuk Garantisi

Levenhuk optik ürünleri, malzeme ve işçilik kaynaklı kusurlara karşı **2 yıl garantilidir**. Tüm Levenhuk aksesuarları, perakende satış yoluyla alınmasından sonra **2 yıl** boyunca malzeme ve işçilik kaynaklı kusurlara karşı garantilidir.

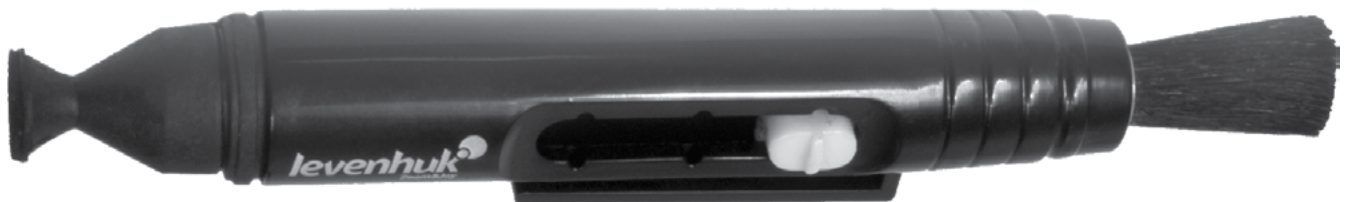
Bu garanti sayesinde, tüm garanti koşulları sağlandığı takdirde, Levenhuk ofisi bulunan herhangi bir ülkede Levenhuk ürününüz için ücretsiz olarak onarım veya değişim yapabilirsiniz. Ayrıntılı bilgi için web sitemizi ziyaret edebilirsiniz: www.levenhuk.eu/warranty

Garanti sorunları ortaya çıkarsa veya ürününüzü kullanırken yardıma ihtiyacınız olursa, yerel Levenhuk şubesi ile iletişime geçin.

The original Levenhuk cleaning
accessories



Levenhuk Cleaning Pen LP10



Removes dust with a brush
The soft tip is treated with a special cleaning fluid that removes greasy stains
Does not damage optical coatings of the lenses
Leaves no smudges or stains

5 natural colors

Microscope Discovery Micro

Small and light microscopes with 3 objective lenses, 640x magnification and LED illumination. Amazing knowledge book "The Invisible World" inside

Discovery



Terra

Solar

Polar

Marine

Gravity



© 2023 Discovery or its subsidiaries and affiliates. Discovery and related logos are trademarks of Discovery or its subsidiaries and affiliates, used under license. All rights reserved. [Discovery.com](https://discovery.com)

levenhuk.com

Levenhuk Inc. (USA): 928 E 124th Ave. Ste D, Tampa, FL 33612, USA, +1 813 468-3001, contact_us@levenhuk.com
Levenhuk Optics s.r.o. (Europe): V Chotejně 700/7, 102 00 Prague 102, Czech Republic, +420 737-004-919, sales-info@levenhuk.cz
Levenhuk® is a registered trademark of Levenhuk, Inc.
© 2006–2023 Levenhuk, Inc. All rights reserved.
20230425



**STREAM WHAT YOU LOVE
ALL IN ONE PLACE**

levenhuk
Zoom&Joy